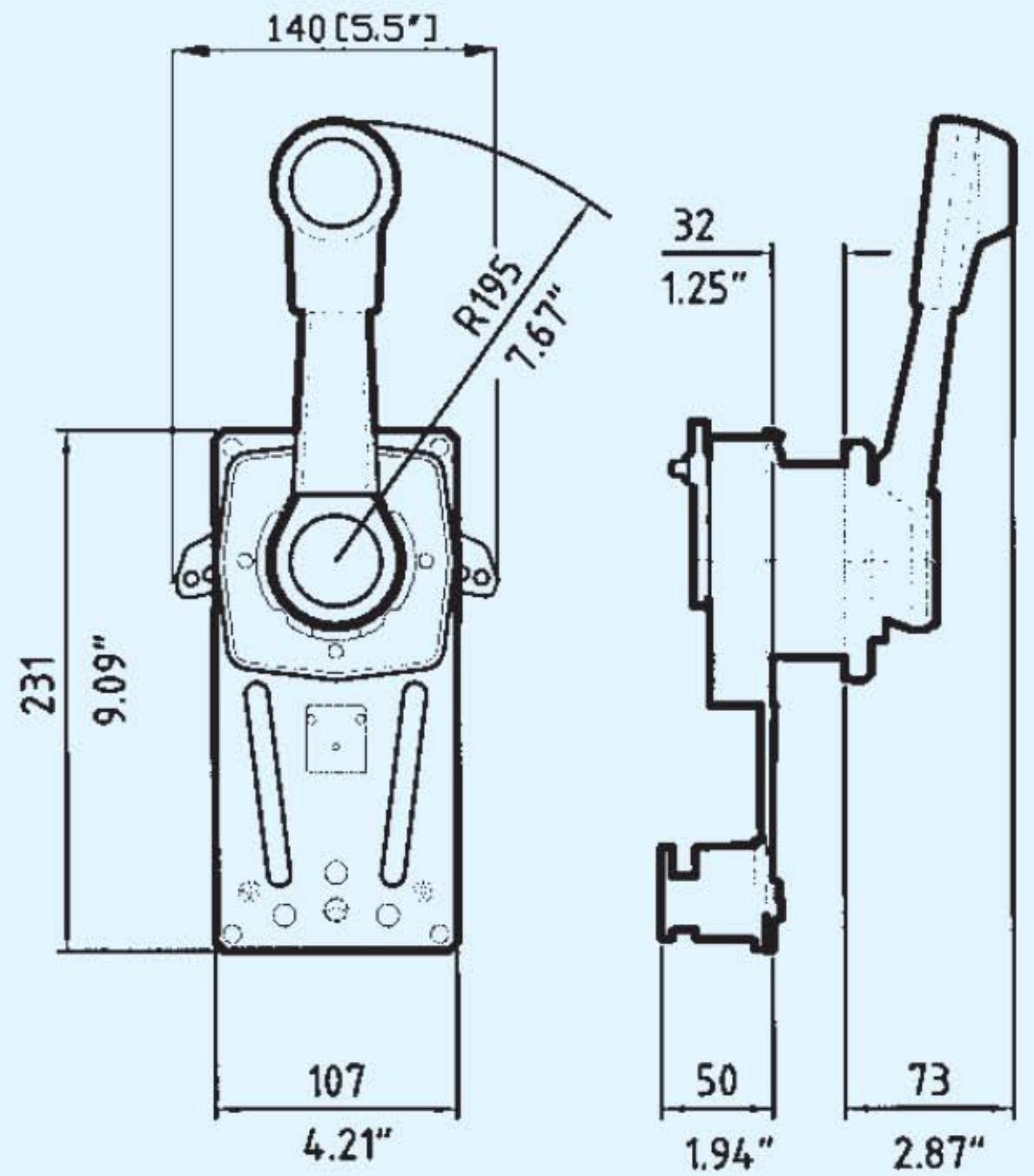


B183 - B184 - B184CB



B85