

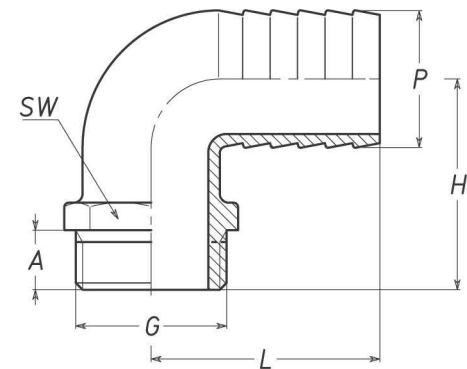
ART. 110



CURVETTA MASCHIO CON PORTAGOMMA - OTTONE

FILETTATURE:

G = ISO 228/1 (BS 2779)



Weight (gr)	50	83	130	184	407
SW	19	23	30	35	45
L	38	41	43	51	66
H	30	32	40	46	56
A	10	12	12	13	14
P	15	20	25	30	40
G	3/8"	1/2"	3/4	1"	1"1/4