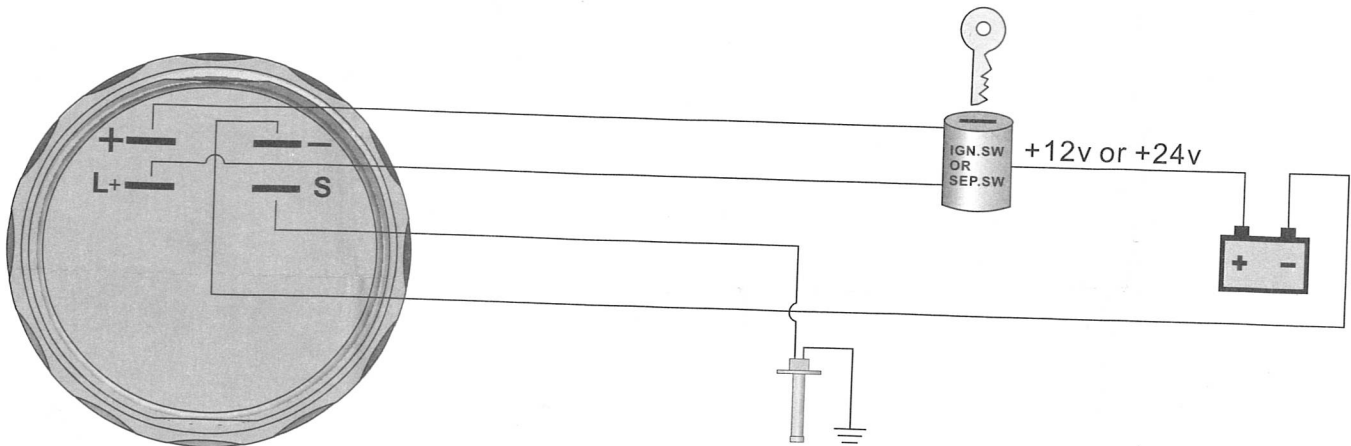
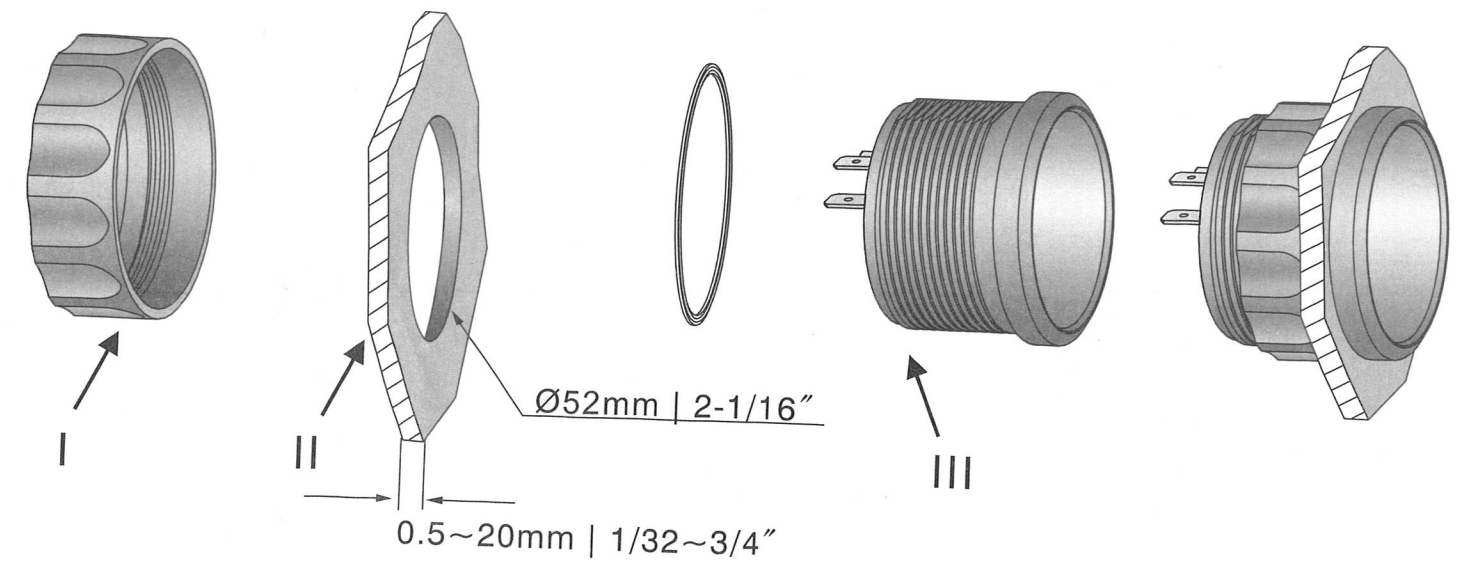


INSTALLATION INSTRUCTIONS



INSTALLATION STEPS

1. Make a $\text{Ø}52\text{mm}$ hole on panel.
2. Mount main body into $\text{Ø}52\text{mm}$ hole, and tighten main body by fixation ring.
3. Connect the wire according to the instruction. Please note that the 12V gauge can only be used in 12V power-supply system, and 24V power-supply system for 24V gauge only. You can use screw to fasten the gauge and the wire, alternatively, you can mount terminal on the wire first, then connect it with gauge.
Dimension of the metal sheet on gauge is $6.3 \times 0.8\text{mm}$.
4. For voltage gauge, no need to connect cable on S-post.

安装步骤

1. 请在您的仪表板上开一个直径为52mm的孔。
2. 将主体装入仪表板上开好的孔中,并用固定圈旋紧。
3. 按接线说明图连接好电线,并注意12V仪表只能使用在12V供电系统,24V仪表只能使用在24V供电系统,电线连接仪表时,您可以选择直接将用螺丝固定,也可以选择将电线打上连接器,再插到仪表上,仪表金属片的尺寸: $6.3 \times 0.8\text{mm}$
4. 如果您购买的是电压表,则S接线柱不需要连接电线。