



# 270 Size Bronze Flexible Impeller Pump Head Kit

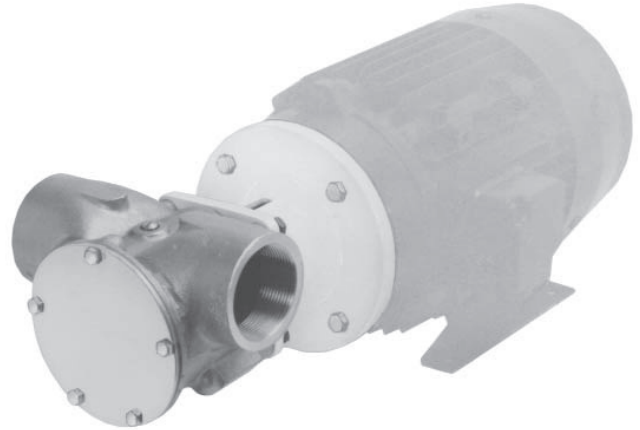
08/07

## 53270 Series

### Bronze Flexible Impeller Pump

#### Features

- Flows up to 270 Litres/Minute @ 1500 RPM
- Self prime from dry up to 4.5 metres
- Handles hard or soft solids
- Non pulsating flow
- Gentle pump action does not damage shear-sensitive products
- Easy to service and maintain



#### Typical Applications

**Industrial** : From water to the most difficult, e.g. transferring foaming solutions with entrained air or solids, such as soap, circulating abrasive and non abrasive slurries. Transferring inks, dyes, starches etc.


**Chemical** : Circulating and transferring various chemicals such as ammonia, barium, copper sulphate, glycerine, nickel chloride, silver nitrate; various acids such as boric, carbonic, citric and photo processing solutions, widely used for polyelectrolyte.

#### Model Options


Impeller option	Neoprene	Nitrile
Temperature range	4°C to 80°C	-5°C to 90°C
Pump head only	53270-2011	53270-2013
Note : it is not recommended to start the pump at extreme ends of the temperature range, impeller damage may occur		
All models use Nitrile seal elastomers		
Other options available, Pedestal & Motor pump units, in Bronze, Plastic & Stainless steel		

For Installation, Operating, Maintenance and Safety Instructions refer to form 43001-0543

**⚠ WARNING** Explosion hazard. Do not pump gasoline, solvents, thinners or other flammable liquids. To do so can cause an explosion resulting in injury or death.



**⚠ WARNING** Injury hazard. Exposed pulleys and belts can cause injury. Install shield around pulleys and belts. Stay clear while machinery is operating.



#### Specifications

**Seal** : Carbon/Ceramic mechanical seal

**Pump Head** : Bronze

**End Cover** : Brass

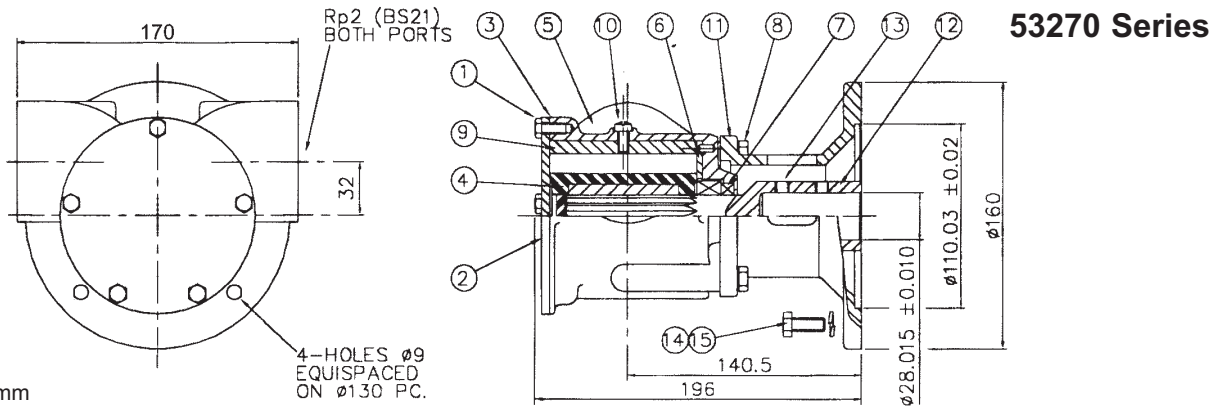
**Bearings** : Uses motor bearings

**Shaft** : 316 Stainless steel shaft extension

**Motor adaptor** : Epoxy-coated aluminium, suitable for B3/B14 D100 frame motor to IEC 71 standard

**Ports** : 2" BSP internal thread

**Weight** : 9.3kg.



Dimensions in mm

### Parts List

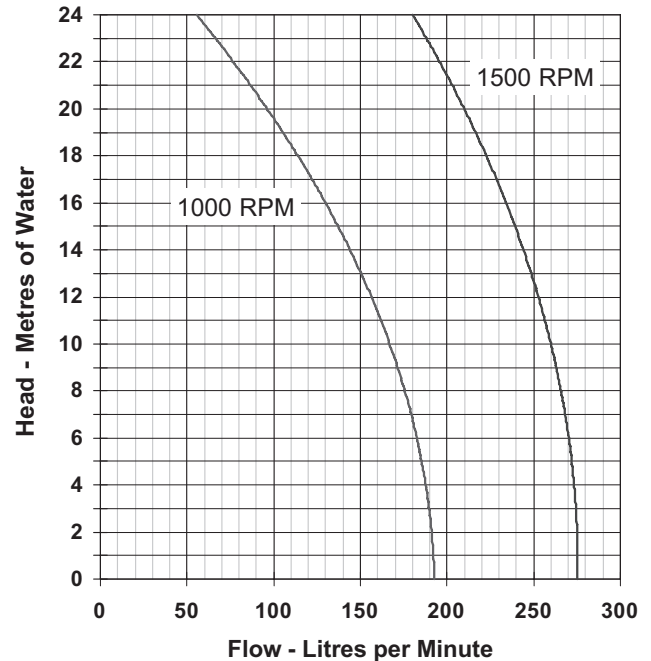
Ke	Description	Qty	Part No.
1	Screw*	5	X3001-176F
2	Endcover	1	9336
3	Gasket*	1	816
4	Impeller* (neoprene)	1	17936-0001
	Impeller* (nitrile)	1	6760-00038
5	Body	1	50274-2100
6	Wearplate	1	2574
7	Seal assembly*	1	21849
8	Screw	4	X3001-209C
8a	Washer	4	X3081-101C
9	Cam	1	6988
10	Screw	Cam	1 SP1005-04
11	Adaptor	1	22884
12	Extension	Shaft	1 22887-01
13	Screw	Set	2 X3009-203A
14	Screw	4	X3001-209C
15	Washer	4	X3081-101C

Parts Marked \* above are contained in a Service kit

Service Kit (neoprene)	1	SK408-0011
Service Kit (nitrile)	1	SK408-0013

Mechanical seals are fitted with Nitrile elastomers.

### Performance



**Note :** Performance shown is for a new pump, fitted with a Neoprene impeller, pumping water at 20°C, performance may vary by up to 15%. Consult factory for performance of alternative impeller compounds.

**xylem**  
Let's Solve Water

Jabsco, 1 Kondelin Road, Cape Ann Industrial Park, Gloucester, MA 01930

Tel : +1 978 281 0440 Fax : +1 978 283 2619

Jabsco, Bingley Road, Hoddesdon, Hertfordshire, EN11 0BU

Tel : +44 (0)1992 450145 Fax : +44 (0)1992 467132

Fluid Products Canada, 55 Royal Road, Guelph, Ontario N1H 1T1

Tel : +1 519 821 1900 Fax : +1 519 821 5316

NHK Jabsco Co Ltd, 3-21-10, Shin - Yokohama, Kohoku-ku, Yokohama 222

Tel : +81 (0) 45 475 8906 Fax : +81 (0) 45 475 8908

Jabsco GmbH, Oststraße 28, 22844 Norderstedt

Tel : +49 (0) 40 53 53 73 0 Fax : +49 (0) 40 53 53 73 11

Jabsco Italia, s.r.l., Via Tommaseo, 6, 20059 Vimercate, Milano

Tel : +39 039 685 2323 Fax : +39 039 666 307

USA

UK

CANADA

JAPAN

GERMANY

ITALY