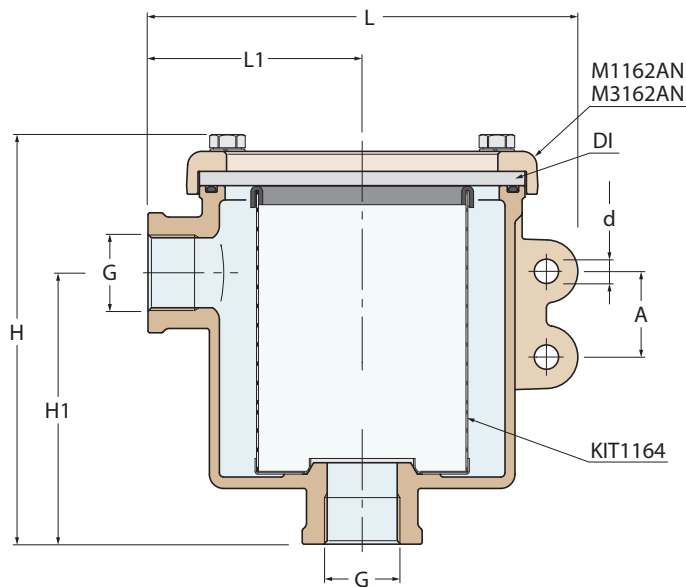


Filtro depurazione acqua serie "Ionio" con disco in policarbonato
Water strainer "Ionio" series with polycarbonate cover

Filtro omologato RINA DIP
RINA DIP certificate



FILETTATURE / THREAD :
G = ISO 228/1 (BS 2779)

1164	3/4"	1"	1"1/4	1"1/2	2"	2"1/2	3"	4"
Weight (gr)	2800	2700	3400	4000	6200	9000	9600	14600
3164	3/4"	1"	1"1/4	1"1/2	2"	2"1/2	3"	4"
Weight (gr)	970	930	1170	1380	2100	3280	3550	4800
d	8.5	8.5	8.5	8.5	10	11	11	11
A	30	30	40	40	50	60	80	100
H	145	145	168	178	215	243	276	326
H1	94	94	106	111	135	150	177	211
L1	75	75	85	91	106	126	129	142
L	151	151	167	180	213	252	255	277
G	3/4"	1"	1"1/4	1"1/2	2"	2"1/2	3"	4"



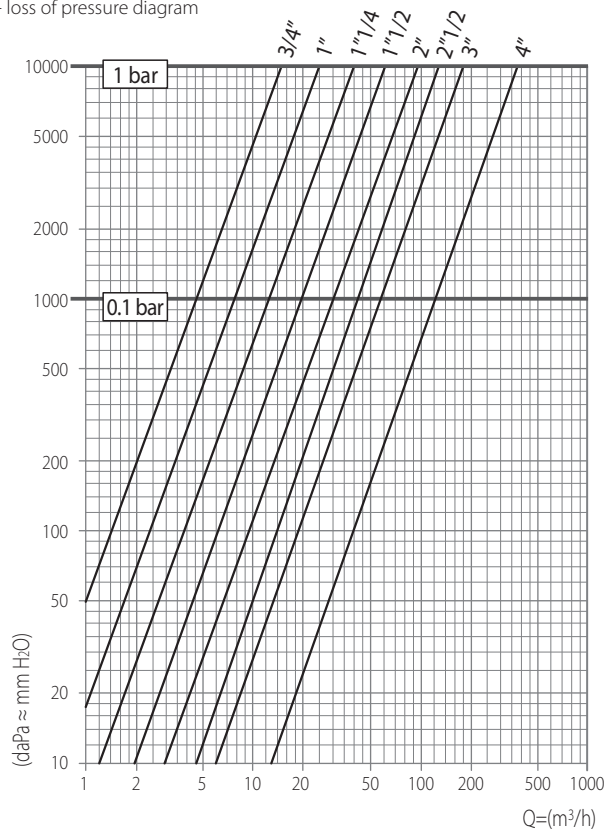
Bronzo nichelato
Nickel-plated bronze

3164



Alluminio anodizzato nero
Black anodized aluminium

Diagramma portate - perdite di carico
Flow rate - loss of pressure diagram



Corpo in bronzo nichelato / Alluminio anodizzato nero
Nickel-plated bronze / Black anodized aluminium casing

Elemento filtrante in acciaio inox AISI 316L
AISI 316L stainless steel inside filter

Disco in policarbonato trasparente
Transparent polycarbonate cover

Guarnizioni in neoprene
Neoprene o-ring

G	0.1 bar	1 bar
3/4"	4650	14900
1"	7950	25500
1"1/4	12100	38200
1"1/2	19100	61250
2"	30000	96200
2"1/2	42600	134000
3"	58400	184000
4"	123000	390000

Portate di acqua attraverso il filtro pulito - lt/h
Flow-rate capacity through the clean filter - lt/h