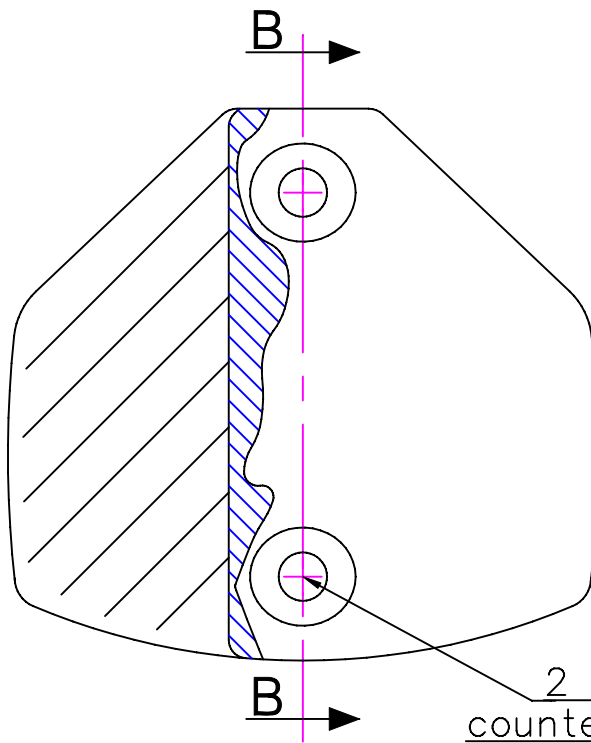
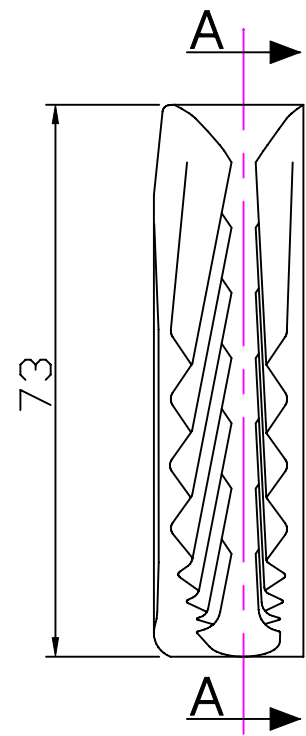
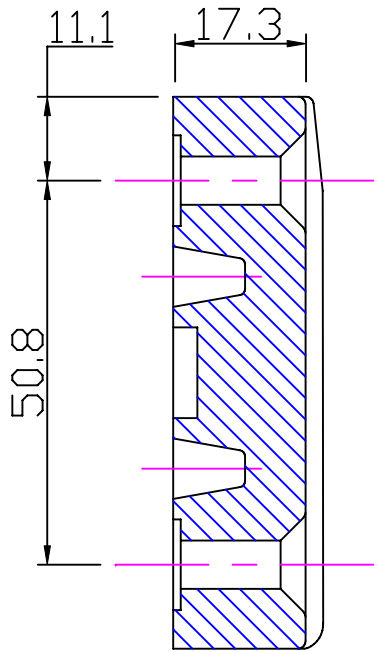


Section 'BB'



2 Holes $\phi 6.5$
countersunk $\phi 13 \times 90^\circ$

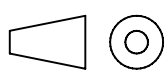


Part Section 'AA'



Clamcleats Limited
 Watchmead
 Welwyn Garden City
 Hertfordshire AL7 1AP
 England

Telephone +44 (0)1707 330101
 Fax +44 (0)1707 321269
<http://www.clamcleat-rope-cleats.com>



Scale 1:1
 All dimensions in mm.

Issue: 2. May 2006
 ID202.dwg

Material:
 Nylon

Installation Drawing for:-
CL202
 Horizontal