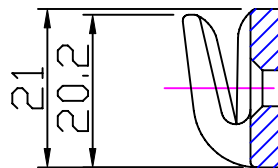
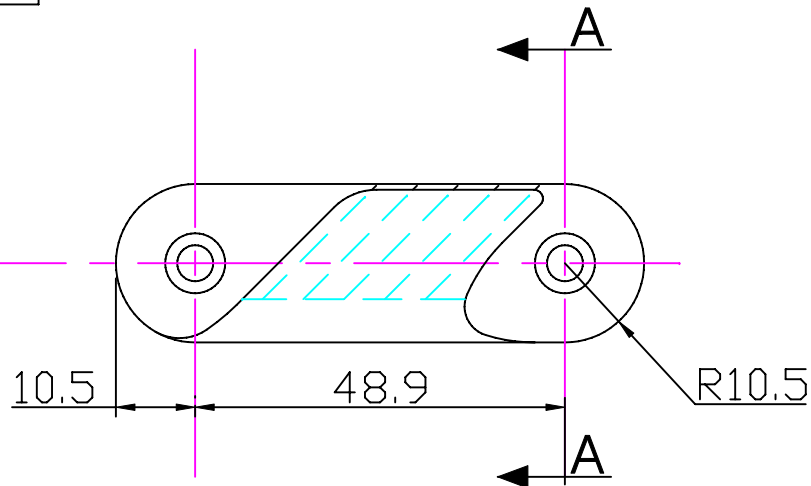


M4 4/4.2mm $\phi 2 - 5\text{mm}$
 #8 (5/32") N0.8 1/16" - 3/16"

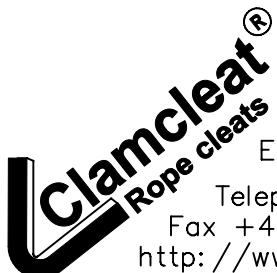
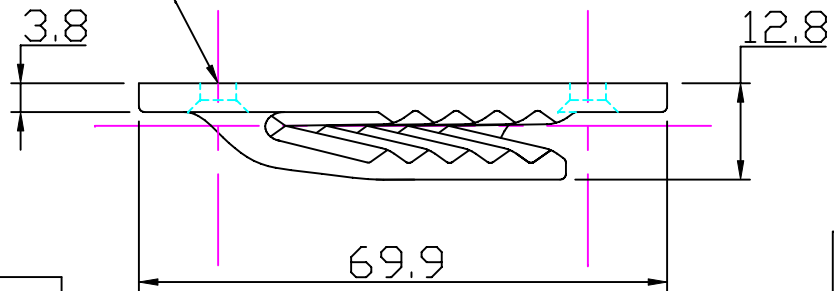
Section 'AA'



21
20.2

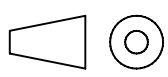


2 Holes $\phi 4.8$
 countersunk $\phi 8.0 \times 90^\circ$



Clamcleats Limited
 Watchmead
 Welwyn Garden City
 Hertfordshire AL7 1AP
 England

Telephone +44 (0)1707 330101
 Fax +44 (0)1707 321269
<http://www.clamcleat-rope-cleats.com>



Scale 1:1
 All dimensions in mm.

Issue: 3. May 2006
 ID213.dwg

Material:
 Nylon

Installation Drawing for:-
CL213
 Fine Line
 (Starboard)