

Motorized Remote Control Searchlight

Model 220 Series

INSTRUCTION GUIDE

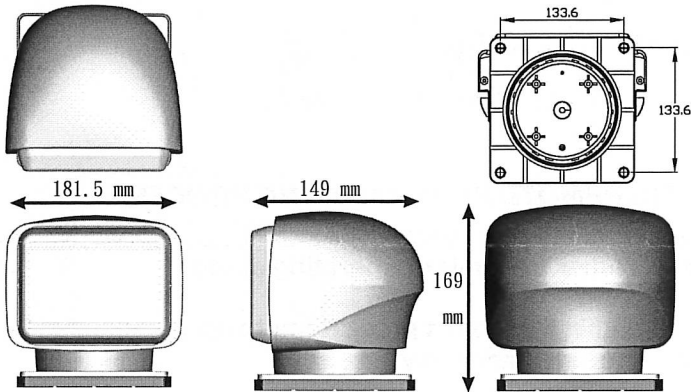
FEATURES :

- LED lighting
- 360 degree Unlimited Rotation/120 degree Tilt
- Programmable Handheld Wireless Remote Controller
- UV Ray and Saltwater Resistant

SPECIFICATION :

Housing Color : Black / White

Dimension : Unit : mm



LED module :

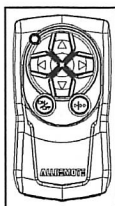
- High Power LED chips X10PCS
- Watts: 50W
- Current consumption : 13.5V 1.8A (MAX)
- Color Temperature: 5350K ~ 6100K
- Beam Pattern : Spot
- Luminous intensity: 180,000 Candelas
- Beam distance: 848M
- Aluminum Housing as Heat Sink
- Polycarbonate lens

Power: DC 12V / 24V

Weight: 1.9Kgs / 4.2 lbs (Permanent mount)

OPERATION :

Handheld Wireless Remote



1. Operation

Press on/off button to Switch on or off searchlight.

Operate directions of the light beam by pressing the direction buttons.

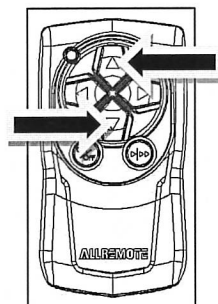
Up = ▲ Down = ▼ Right: ► Left = ◀

2. Button Fn : Dual speed (Fast / Slow speed switch)

3.

HANDHELD WIRELESS REMOTE PROGRAMMING PROCESS :

1. Switch off DC Power or disconnect battery power.
2. Make sure there is NO other transmitter operating at the same time.
3. Switch on DC Power, within 5 seconds press Remote up ▲ and down ▼ button once simultaneously.
4. Searchlight will flash to acknowledge the Remote, connection has been made.
5. To program the second Remote (up to 4 remotes may be used with the searchlight, programming a fifth will replace the first), within five seconds after the first Remote programmed, press the second Remote up and down button or repeat step 1.



RADIO FREQUENCY : 433.92MHz

Wireless Remote Battery: 23A*2pcs

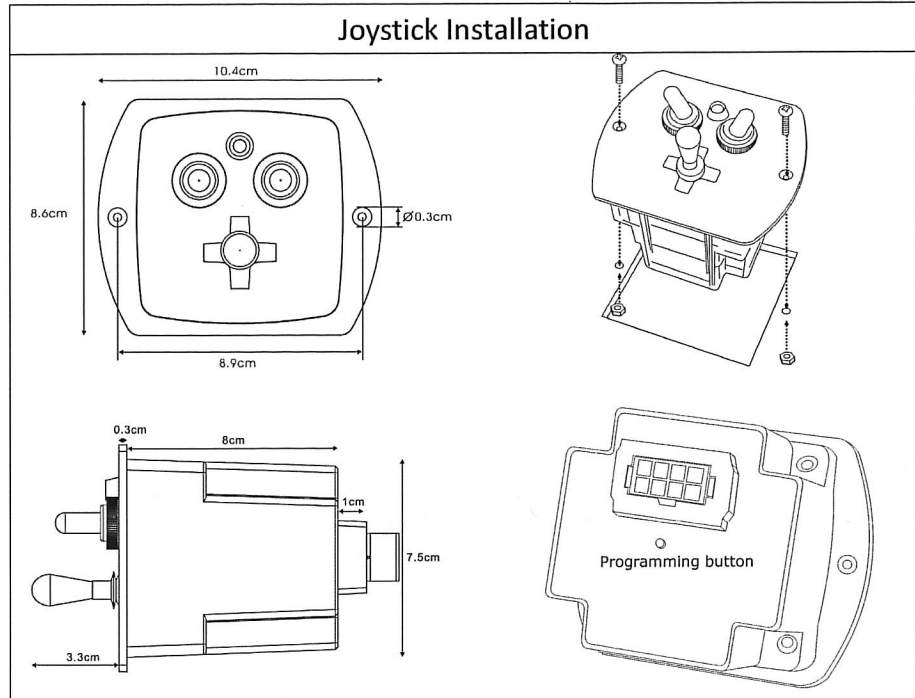
Wireless Remote Operation Distance: 65M

Dash Mount Wired/Wireless Joystick (Optional)

Wired Joystick= RX-SL013 (12V) RX-SL013-24V (24V)

Wired Joystick with receiver= RX-SL013A (12V) RX-SL013A-24V (24V)

Wireless Joystick= TX-SL013 (12V) TX-SL013-24V (24V)



Wireless joystick programming procedure:

****Keep TX-SL013 connected to the power when programming with searchlight.**

***You can ignore this unless adding/replacing a new wireless joystick.**

1. Switch off DC power or disconnect from battery of the searchlight.
2. Make sure there is NO other transmitter operating at the same time.
3. Switch on DC power, within 5 seconds, press programming button on the rear side of Wireless Joystick TX-SL013.
4. Searchlight will flash to acknowledge the remote, connection has been made.
5. To program the second Remote (up to 4 remotes may be used with the searchlight, programming a fifth will replace the first), within five seconds after the first Remote programmed, press the second Remote up and down button or repeat step 1.

SAFTY NOTICE :

- ⊙ Connector on LED module should be connected correctly for Positive and Negative wire.

RED and BLUE : Positive (+)

BLACK and BROWN : Negative (-)

- ⊙ **FCC RULE Part. 15.21 : The changes or modifications not expressly approved by the party responsible for compliance could void the user's authority to operate the equipment.**
- ⊙ **This device complies with Part 15 of the FCC Rules. Operation is subject to the following two conditions: (1) this device may not cause harmful interference, and (2) this device must accept any interference received, including interference that may cause undesired operation.**
- ⊙ **This searchlight is a Radio Frequency (RF) device which operates on Channel 433.92MHz. It will send out RF energy when it is on operation.**
 - 1. RF energy may affect some electronic equipment.**
 - 2. Some electronic equipment on vehicle or boats may be affected by RF energy.**

PACKING INCLUDED:

- Model 220 LED Searchlight
- Handheld Wireless Remote Controller
 - TX-SL14GO

INSTALLATION :

Unit : mm

Screw Hole:9.05

