

TMC-429952

SEAT & COVER W/ SLOW-CLOSE
FEATURE (COMPACT SIZE)
ORDER NO. 504-0299520

TMC-429953

SEAT & COVER W/ SLOW-CLOSE
FEATURE (DELUX SIZE)
ORDER NO. 504-0299530

TMC-429960

HINGE SET FOR TMC-429952
(W/ SLOW-CLOSE FEATURE)
ORDER NO. 504-0299600

TMC-429962

HINGE SET FOR TMC-429953
(W/ SLOW-CLOSE FEATURE)
ORDER NO. 504-0299620

TMC-429965 (to replace #00036)

PUMP UNIT FOR ELECTRIC TOILET
INCLUDE PARTS #429964 & #31
ORDER NO.
504-0299651 12V
504-0299652 24V

TMC-ET3626

PUMP RAZOR KTIS
FOR ELECTRIC TOILET
ORDER NO. 504-0299026

TMC-429964

PUMP BODY SET
FOR ELECTRIC TOILET
ORDER NO. 504-0299640

TMC-ET9920

PIPE JOINTS FOR
ELECTRIC TOILET
ORDER NO. 504-0299020

TMC-429975(to replace #00038)

BASE UNIT FOR ELECTRIC TOILET
INCLUDE PARTS #429802 & #22-3
ORDER NO. 504-0299750

TMC-429802

BASE PORT KITS
FOR ELECTRIC TOILET
ORDER NO. 504-029802000

TMC-ET3822

BASE GASKET KITS
FOR ELECTRIC TOILET
ORDER NO.
504-0299022

TMC-99902S

STANDARD SWITCH BOX ASSEMBLY
FOR ELECTRIC TOILET
ORDER NO.
302-0020100 12V
302-0020200 24V

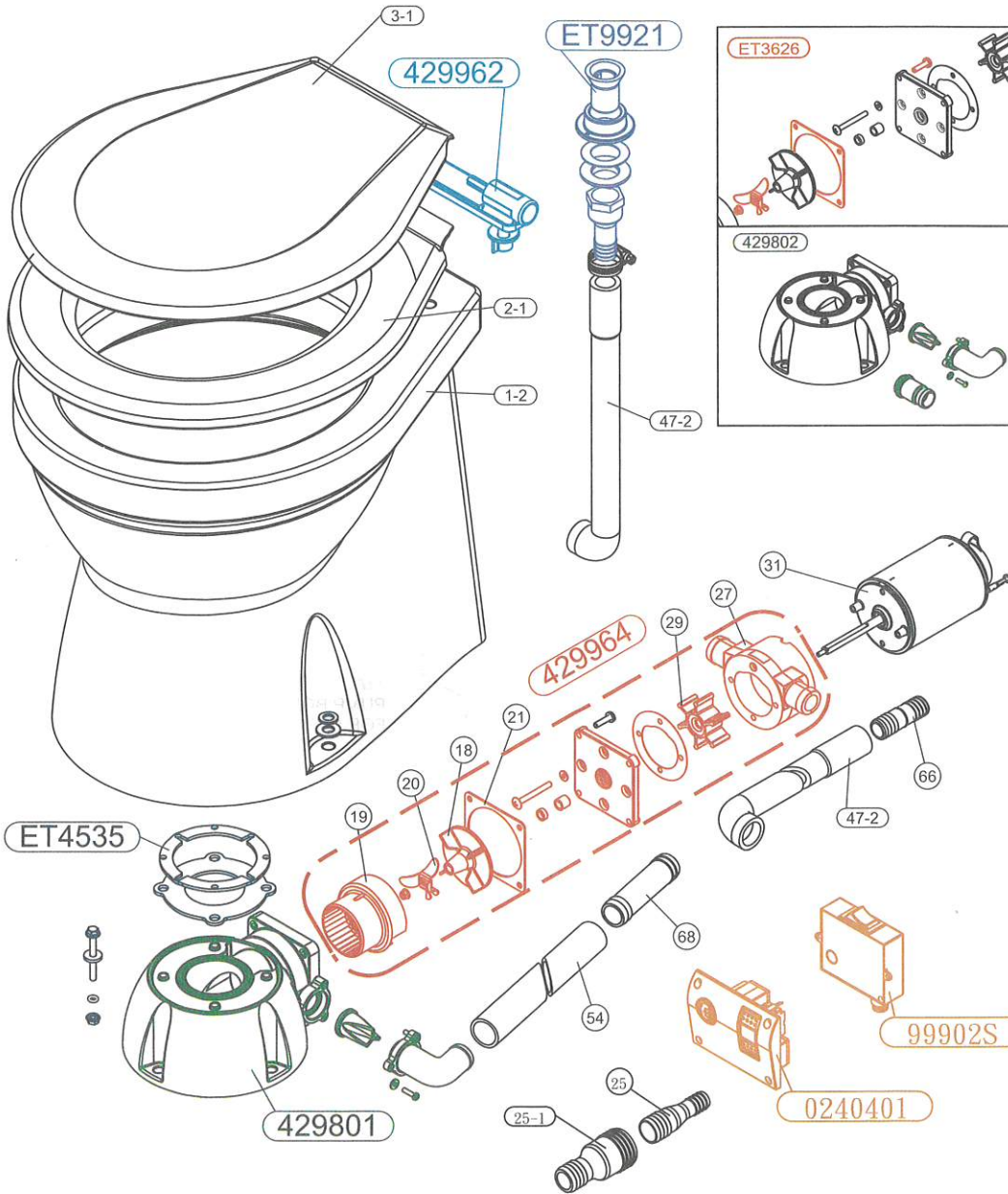
TMC-0240401

DELUXE PANEL SWITCH WITH FUSE
PACKAGE. OPTIONAL ORDER FOR
ELECTRIC TOILET
ORDER NO.
502-2404011 12V
502-2404012 24V

KEY	DESCRIPTION
1	Closestool Body(99902)
2	Seat Cushion(99902)
3	Closestool Cover(99902)
1-1	Closestool Body(99904)
2-1	Seat Cushion(99904)
3-1	Closestool Cover(99904)
18	Centrifugal Impeller
19	Macerator Housing
20	Razor Blade

KEY	DESCRIPTION
22-3	Base
25	Adaptor
25-1	Adaptor
27	Body
29	Flexible Impeller
31	Motor
47	Hose(99902)
47-1	Hose(99904)
55	Cover

- TMC TOILET SERVICE PARTS ARE SOLD BY PACKAGE.
- INDIVIDUAL PART LIST IS FOR REFERENCE ONLY.



TMC-429953
SEAT & COVER W/ SLOW-CLOSE
FEATURE (DELUX SIZE)
ORDER NO. 504-0299530

TMC-429962
HINGE SET FOR TMC-429953
(W/ SLOW-CLOSE FEATURE)
ORDER NO. 504-0299620

TMC-429965 (to replace #00036)
PUMP UNIT FOR ELECTRIC TOILET
INCLUDE PARTS #429964 & #31
ORDER NO.
504-0299651 12V
504-0299652 24V

TMC-ET3626
PUMP RAZOR KTIS
FOR ELECTRIC TOILET
ORDER NO. 504-0299026

TMC-429964
PUMP BODY SET
FOR ELECTRIC TOILET
ORDER NO. 504-0299640

TMC-ET9921
PIPE JOINTS FOR
ELECTRIC TOILET
ORDER NO. 504-0299021

TMC-429801 (to replace #00045)
BASE UNIT FOR ELECTRIC TOILET
INCLUDE PARTS #429802 & #22-2
ORDER NO. 504-029801000

TMC-429802
BASE PORT KITS
FOR ELECTRIC TOILET
ORDER NO. 504-029802000

TMC-ET4535
BASE GASKET KITS
FOR ELECTRIC TOILET
ORDER NO.
504-0299035

TMC-429967 (to replace #00046)
CONVENTION KITS FOR
ELECTRIC TOILET
ORDER NO.
504-0299671 12V
504-0299672 24V

TMC-99902S
STANDARD SWITCH BOX ASSEMBLY
FOR ELECTRIC TOILET
ORDER NO.
302-0020100 12V
302-0020200 24V

TMC-0240401
DELUXE PANEL SWITCH WITH FUSE
PACKAGE. OPTIONAL ORDER FOR
ELECTRIC TOILET
ORDER NO.
502-2404011 12V
502-2404012 24V

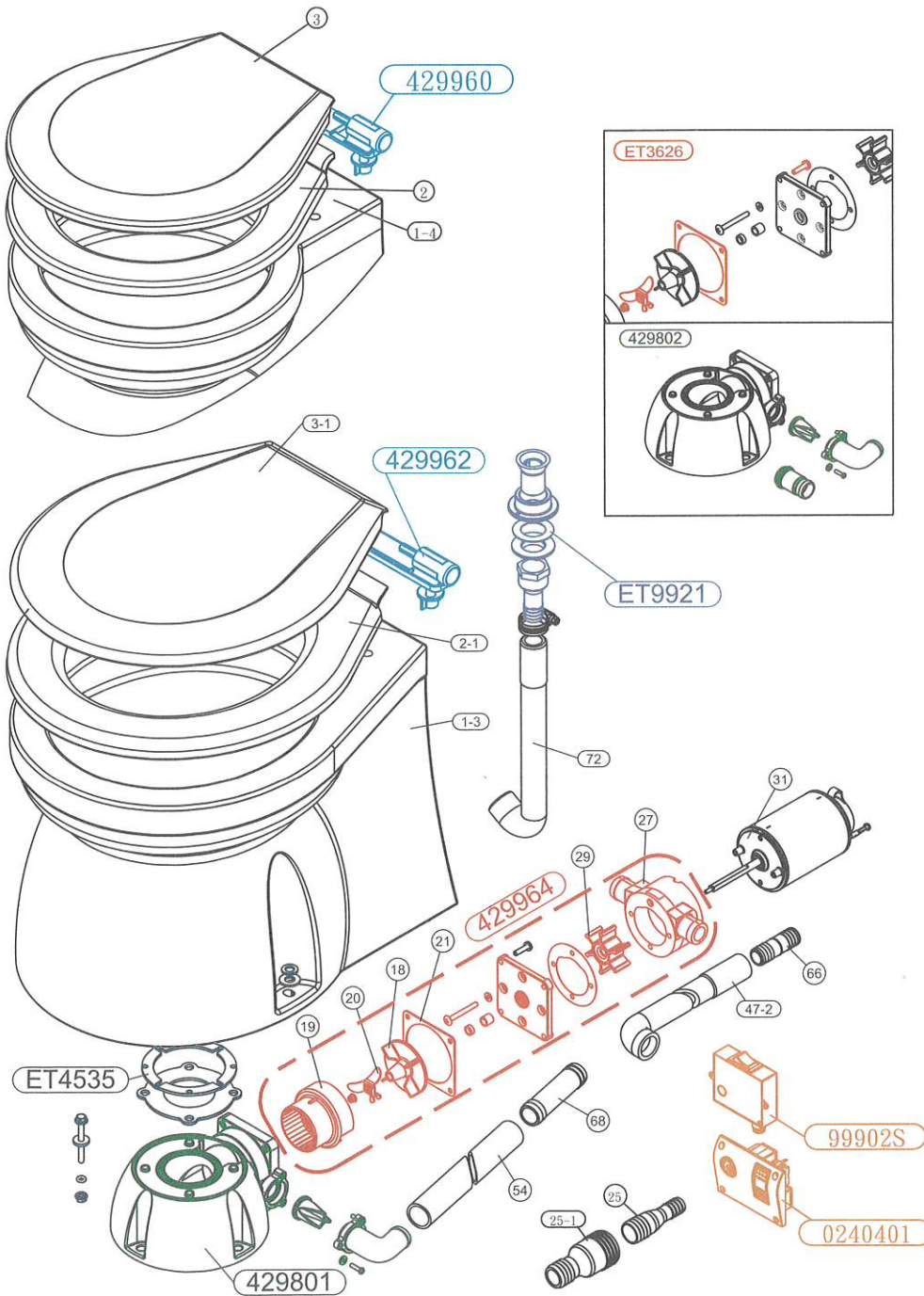
KEY	DESCRIPTION
1-2	Closestool Body
2-1	Seat Cushion
3-1	Closestool Cover
18	Centrifugal Impeller
19	Macerator Housing
20	Razor Blade
22-2	Base
25	Adaptor

KEY	DESCRIPTION
25-1	Adaptor
27	Body
29	Flexible Impeller
31	Motor
47-2	Hose
54	Hose
66	Inner Pipe Joint
68	Adaptor

•TMC TOILET SERVICE PARTS ARE SOLD BY PACKAGE.
•INDIVIDUAL PART LIST IS FOR REFERENCE ONLY.



Service Parts For TMC Electric Toilet Model 29922, 29923(size 99909, 99910)



TMC-429952
SEAT & COVER W/ SLOW-CLOSE
FEATURE (COMPACT SIZE)
ORDER NO. 504-0299520

TMC-429953
SEAT & COVER W/ SLOW-CLOSE
FEATURE (DELUX SIZE)
ORDER NO. 504-0299530

TMC-429960
HINGE SET FOR TMC-429952
(W/ SLOW-CLOSE FEATURE)
ORDER NO. 504-0299600

TMC-429962
HINGE SET FOR TMC-429953
(W/ SLOW-CLOSE FEATURE)
ORDER NO. 504-0299620

TMC-429965 (to replace #00036)
PUMP UNIT FOR ELECTRIC TOILET
INCLUDE PARTS #429964 & #31
ORDER NO.
504-0299651 12V
504-0299652 24V

TMC-ET3626
PUMP RAZOR KTIS
FOR ELECTRIC TOILET
ORDER NO. 504-0299026

TMC-429964
PUMP BODY SET
FOR ELECTRIC TOILET
ORDER NO. 504-0299640

TMC-ET9921
PIPE JOINTS FOR
ELECTRIC TOILET
ORDER NO. 504-0299021

TMC-429801(to replace #00045)
BASE UNIT FOR ELECTRIC TOILET
INCLUDE PARTS #429802 & #22-2
ORDER NO. 504-029801000

TMC-429802
BASE PORT KITS
FOR ELECTRIC TOILET
ORDER NO. 504-029802000

TMC-ET4535
BASE GASKET KITS
FOR ELECTRIC TOILET
ORDER NO.
504-0299035

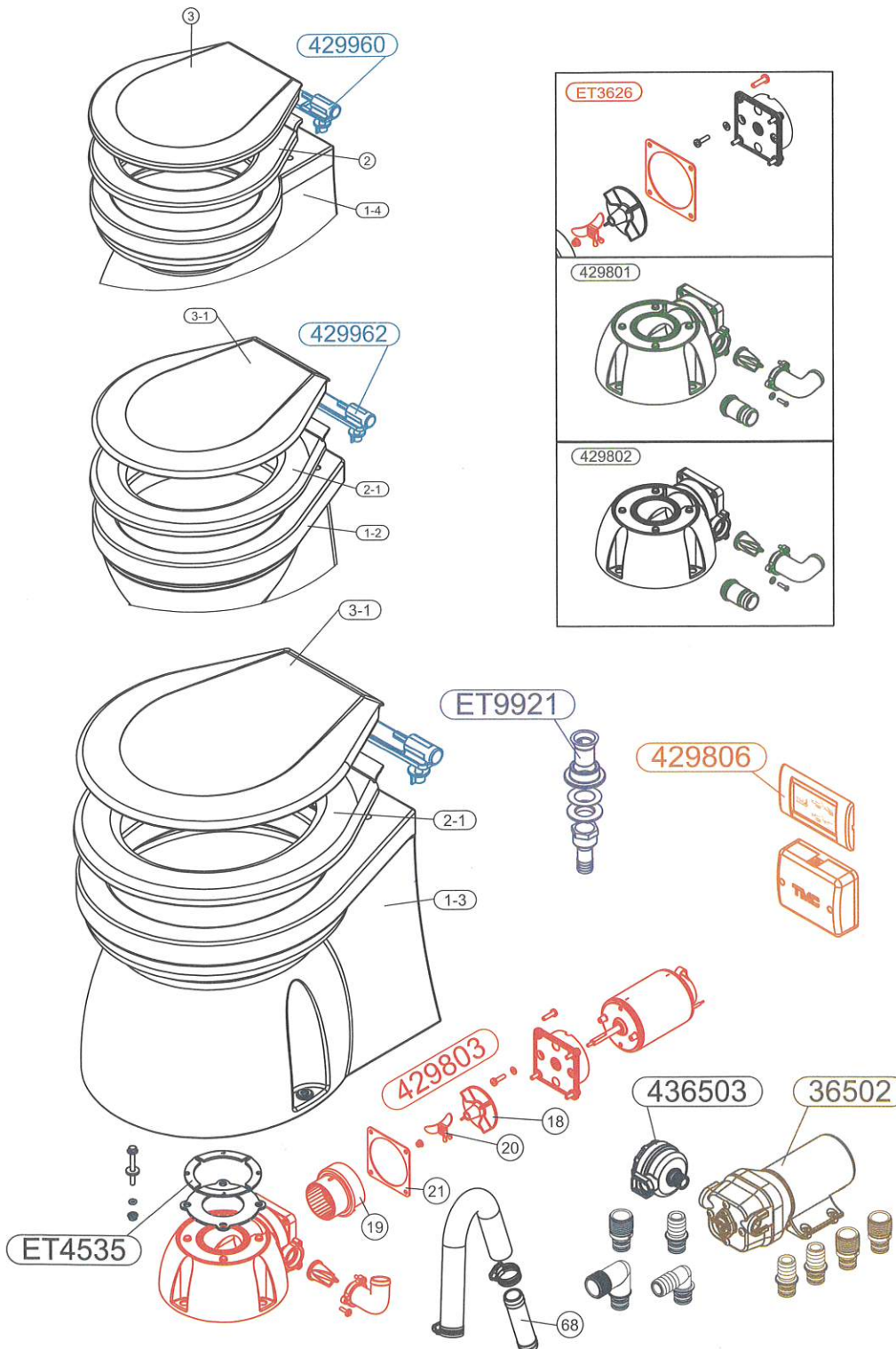
TMC-99902S
STANDARD SWITCH BOX ASSEMBLY
FOR ELECTRIC TOILET
ORDER NO.
302-0020100 12V
302-0020200 24V

TMC-0240401
DELUXE PANEL SWITCH WITH FUSE
PACKAGE. OPTIONAL ORDER FOR
ELECTRIC TOILET
ORDER NO.
502-2404011 12V
502-2404012 24V

KEY	DESCRIPTION
1-4	Closestool Body(99909)
2	Seat Cushion(99909)
3	Closestool Cover(99909)
1-3	Closestool Body(99910)
2-1	Seat Cushion(99910)
3-1	Closestool Cover(99910)
18	Centrifugal Impeller
19	Macerator Housing
20	Razor Blade
22-2	Base

KEY	DESCRIPTION
25	Adaptor
25-1	Adaptor
27	Body
29	Flexible Impeller
31	Motor
47-2	Hose
54	Hose
66	Inner Pipe Joint
68	Adaptor
72	Hose

•TMC TOILET SERVICE PARTS ARE SOLD BY PACKAGE.
•INDIVIDUAL PART LIST IS FOR REFERENCE ONLY.



TMC-429952
 SEAT & COVER W/ SLOW-CLOSE
 FEATURE (COMPACT SIZE)
 ORDER NO. 504-0299520

TMC-429953
 SEAT & COVER W/ SLOW-CLOSE
 FEATURE (DELUX SIZE)
 ORDER NO. 504-0299530

TMC-429960
 HINGE SET FOR TMC-429952
 (W/ SLOW-CLOSE FEATURE)
 ORDER NO. 504-0299600

TMC-429962
 HINGE SET FOR TMC-429953
 (W/ SLOW-CLOSE FEATURE)
 ORDER NO. 504-0299620

TMC-ET3626
 PUMP RAZOR KTIS
 FOR ELECTRIC TOILET
 ORDER NO. 504-0299020

TMC-429803
 PUMP&BASE UNIT
 FOR QUIET ELECTRIC TOILET
 ORDER NO.
 504-029803100 12V
 504-029803200 24V

TMC-429805
 CONVERSION KITS
 FOR QUIET ELECTRIC TOILET
 ORDER NO.
 504-029805100 12V
 504-029805200 24V

TMC-ET9921
 PIPE JOINTS FOR
 ELECTRIC TOILET
 ORDER NO. 504-0299021

TMC-429801(to replace #00045)
 BASE UNIT FOR ELECTRIC TOILET
 INCLUDE PARTS #429802 & #22-2
 ORDER NO. 504-029801000

TMC-429802
 BASE PORT KITS
 FOR ELECTRIC TOILET
 ORDER NO. 504-029802000

TMC-ET4535
 BASE GASKET KITS
 FOR ELECTRIC TOILET
 ORDER NO.
 504-0299035

TMC-436503
 STRAINER W/ 3/4" PORTS
 ORDER NO.
 504-036500300

TMC-36502
 WATER INTAKE RINSE PUMP
 ORDER NO.
 503-650201100 12V
 503-650201200 24V

TMC-429806
 4-WAY FLUSH CONTROL PANEL
 FOR QUIET ELECTRIC TOILET
 ORDER NO.
 504-029806100 12V
 504-029806200 24V

KEY	DESCRIPTION
1-4	Closestool Body(99909)
2	Seat Cushion(99909)
3	Closestool Cover(99909)
1-3	Closestool Body(99910)
2-1	Seat Cushion
3-1	Closestool Cover

KEY	DESCRIPTION
1-2	Closestool Body(99907)
18	Centrifugal Impeller
19	Macerator Housing
20	Razor Blade
22-2	Base
68	Adaptor

•TMC TOILET SERVICE PARTS ARE SOLD BY PACKAGE.
 •INDIVIDUAL PART LIST IS FOR REFERENCE ONLY.