



Printing a Mounting Template

NOTICE

These instructions for printing a mounting template must be followed precisely. Failure to do so may result in incorrect dimensions on the template and an incorrect cutout (too large or too small) on the mounting surface of your boat.

To print the attached mounting template, check the dimensions of the template and select the appropriate size of paper. Both the length and width measurements are indicated on the template.

The paper size must be larger than the dimensions of the template. Select the paper size using the **Properties** button in the Adobe Acrobat print dialog box.

Select **Auto-Rotate and Center** to ensure the template prints in the correct orientation.

IMPORTANT: When printing the flush mount template, set **Page Scaling** in the Adobe Acrobat print dialog box to **None**.

The screenshot shows the Adobe Acrobat Print dialog box with several annotations:

- Properties:** An arrow points to the **Properties** button in the top right corner of the dialog.
- Page Scaling:** An arrow points to the **Page Scaling** dropdown menu, which is set to **None** and circled in red.
- Auto-Rotate and Center:** An arrow points to the **Auto-Rotate and Center** checkbox, which is checked.
- Paper size (example):** An arrow points to the **Paper: 8.5 x 11.0 in** text in the bottom right of the dialog.

The **Print** dialog box includes the following sections:

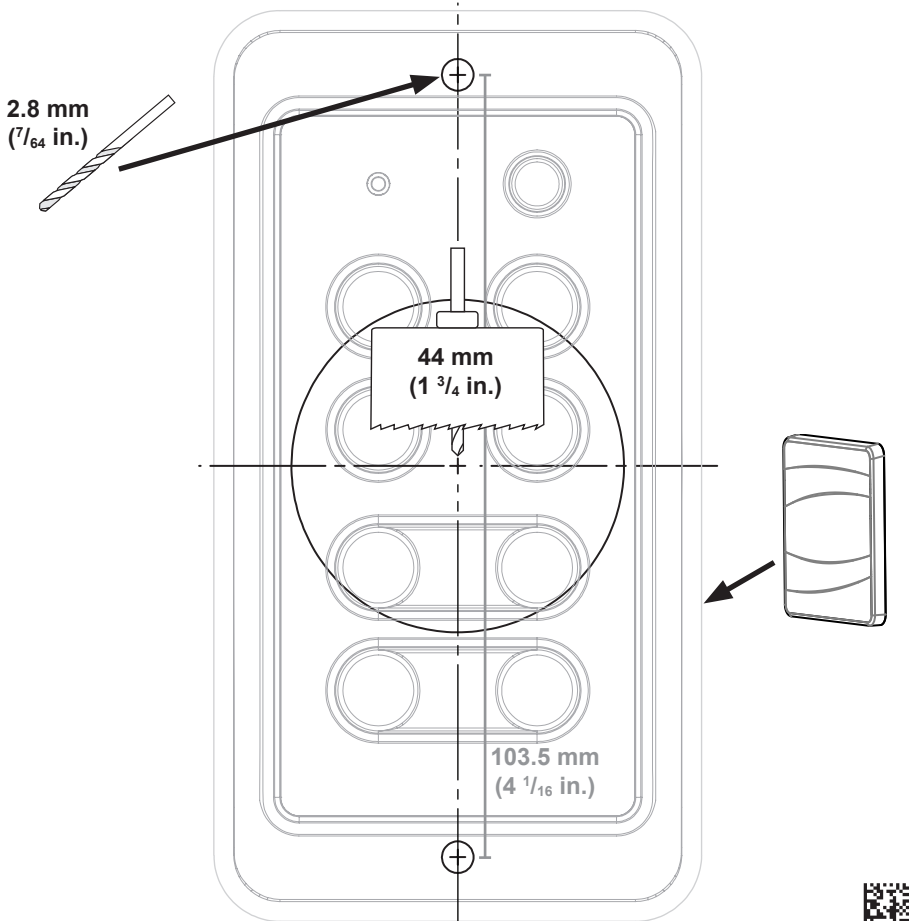
- Printer:** Name: \\DLAWINPRINT\TECHPUBS8150-DUPL, Status: Ready, Type: HP LaserJet 8150 PS.
- Print Range:** All (selected), Current view, Current page, Pages from: 1 to: 1, Subset: All pages in range, Reverse pages (unchecked).
- Page Handling:** Copies: 1, Collate (checked), Page Scaling: None (selected), Auto-Rotate and Center (checked), Choose Paper Source by PDF page size (unchecked).
- Print to file** (unchecked) and **Print color as black** (unchecked).
- Preview:** Shows a preview of the mounting template with dimensions 11 inches wide and 8.5 inches high. Document size is 10.4 x 7.9 in. Paper size is 8.5 x 11.0 in. Page 1/1 (1).

NOTICE

After printing and before cutting the mounting surface, measure the printed template to ensure both the length and the width printed at the correct size and to ensure that the dimensions of the printed template match the actual size of your mount. Garmin is not responsible for any damages or expenses resulting from a miscut mounting surface arising from a failure to follow these instructions.

GARMIN®

GNX™ Keypad Flush Mount Template



December 2014

Printed in Taiwan

190-01846-08_0A

