



DIGITAL PORTABLE CHARGERS

MK105PD

MK110PD

USER MANUAL

INTRODUCTION

THANK YOU

Thank you for choosing Minn Kota. We believe that you should spend more time fishing, that's why we build the smartest, toughest, most intuitive marine products on the water. Every aspect of a Minn Kota product is thought out and rethought until it's good enough to bear our name. Countless hours of research and testing provide you the advantages of a Minn Kota product that can truly take you "Anywhere. Anytime." We don't believe in shortcuts. We are Minn Kota. And we are never done helping you catch more fish.

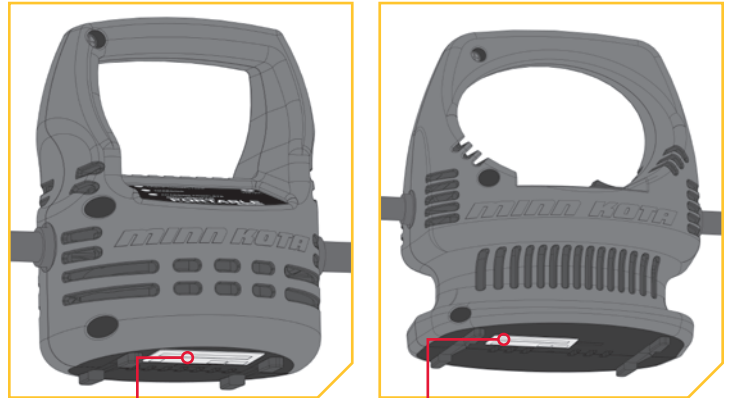
REGISTRATION

Remember to keep your receipt and immediately register your product. A registration card is included with your product or you can complete registration on our website at minnkotamotors.com.

SERIAL NUMBER

Your Minn Kota 11-character serial number is very important. It helps to determine the specific model and year of manufacture. When contacting Consumer Service or registering your product, you will need to know your product's serial number. We recommend that you write the serial number down so that you have it available for future reference.

NOTE: The serial number on your Portable Digital Charger is located on the bottom of the charger.



PRODUCT INFORMATION (FOR CONSUMER REFERENCE ONLY)

Model: _____

Serial Number: _____

Purchase Date: _____

Store Where Purchased: _____

NOTE: Do not return your Minn Kota charger to your retailer. Your retailer is not authorized to repair or replace this unit. You may obtain service by calling Minn Kota at (800) 227-6433. Please include proof of purchase, serial number and purchase date for warranty service.

TABLE OF CONTENTS

TABLE OF CONTENTS	
SAFETY INSTRUCTIONS	4
Important Safety Instructions	4
Personal Precautions.....	5
Preparing to Charge	5
Charger Locations	5
DC Connection Precautions	6
WARRANTY	9
FEATURES	10
OPERATING INSTRUCTIONS	11
Overview.....	11
General Operation.....	11
Indicator LEDS	11
Multi-Stage Charging	12
Troubleshooting.....	13
MAINTENANCE INSTRUCTIONS	14
General Maintenance	14
Inline Fuse	14
Frequently Asked Questions	14
For Further Troubleshooting and Repair.....	16
COMPLIANCE STATEMENTS	17
Environmental Compliance Statement	17
WEEE Directive	17
Disposal.....	17
FCC Compliance.....	17
Industry Canada Compliance	18
Environmental Ratings	18
PARTS DIAGRAM & PARTS LIST	19
MK105PD	19
MK110PD.....	21
NOTES	23

SAFETY INSTRUCTIONS

IMPORTANT SAFETY INSTRUCTIONS - SAVE THESE INSTRUCTIONS

1. **SAVE THESE INSTRUCTIONS** - This manual contains important safety and operating instructions for your Minn Kota battery charger. The Minn Kota battery charger is a powerful electrical device. If incorrectly installed, configured or operated, the battery charger can damage batteries and / or electrical equipment. Please thoroughly read the instructions and safety information contained in this manual before operating the battery charger.

2. Do not expose charger to rain or snow.

3. Use of an attachment not recommended or sold by Johnson Outdoors Marine Electronics, Inc. may result in a risk of fire, electric shock, or injury to persons.

4. To reduce the risk of damage to electric plug and cord, pull by plug rather than cord when disconnecting charger.

5. An extension cord should not be used unless absolutely necessary. Use of improper extension cord could result in a risk of fire and electric shock. If an extension cord must be used, make sure:

- a) That pins on plug of extension cord are the same number, size and shape as those of plug on charger;
- b) That extension cord is properly wired and in good electrical condition; and
- c) That wire size is large enough for ac ampere rating of charger as specified in table.

MODEL	AWG SIZE			
	25' AC Extension Cord	50' AC Extension Cord	100' AC Extension Cord	150' AC Extension Cord
MK105PD	18 AWG	18 AWG	18 AWG	16 AWG
MK110PD	18 AWG	18 AWG	18 AWG	16 AWG

6. Do not operate charger with damaged cord or plug.

7. Do not operate charger if it has received a sharp blow, been dropped, or otherwise damaged in any way.

8. Do not disassemble charger.

9. To reduce risk of electric shock, unplug charger from outlet and disconnect from battery before attempting any maintenance or cleaning. Turning off controls will not reduce this risk.

WARNING

10. WARNING - RISK OF EXPLOSIVE GASES

a) WORKING IN VICINITY OF A LEAD-ACID BATTERY IS DANGEROUS. BATTERIES GENERATE EXPLOSIVE GASES DURING NORMAL BATTERY OPERATION. FOR THIS REASON, IT IS OF UTMOST IMPORTANCE THAT YOU FOLLOW THE INSTRUCTIONS EACH TIME YOU USE THE CHARGER.

b) To reduce the risk of battery explosion, follow these instructions and those published by the battery manufacturer and manufacturer of any equipment you intend to use in the vicinity of the battery. Review cautionary markings on these products and on engine.

11. PERSONAL PRECAUTIONS

- a) Consider having someone close enough by to come to your aid when you work near a lead-acid battery.
- b) Have plenty of fresh water and soap nearby in case acid contacts skin, clothing, or eyes.
- c) Wear complete eye protection and clothing protection. Avoid touching eyes while working near battery.
- d) If battery acid contacts skin or clothing, wash immediately with soap and water. If acid enters eyes, immediately flood eye with running cold water for at least 10 minutes and get medical attention immediately.
- e) NEVER smoke or allow a spark or flame in vicinity of battery or engine.
- f) Be extra cautious to reduce risk of dropping a metal tool onto battery. It might spark or short-circuit battery or other electrical part that may cause explosion.
- g) Remove personal metal items such as rings, bracelets, necklaces, and watches when working with a lead-acid battery. A lead-acid battery can produce a short-circuit current high enough to weld a ring or the like to metal, causing a severe burn.
- h) Use charger for charging batteries only. It is not intended to supply power to a low voltage electrical system other than in a starter-motor application. Do not use battery charger for charging dry-cell batteries that are commonly used with home appliances. These batteries may burst and cause injury to persons and damage to property.
- i) NEVER charge a frozen battery.

12. PREPARING TO CHARGE

- a) If necessary to remove battery from boat or vehicle to charge, always remove grounded terminal from battery first. Make sure all accessories in the boat or vehicle are off, so as not to cause an arc.
- b) Be sure area around battery is well ventilated while battery is being charged.
- c) Clean battery terminals. Be careful to keep corrosion from coming in contact with eyes.
- d) Add distilled water to each cell until battery acid reaches level specified by battery manufacturer. Do not overfill. For a battery without removable cell caps, such as valve regulated lead acid batteries, carefully follow manufacturer's recharging instructions.
- e) Study all battery manufacturer's specific precautions while charging and recommended rates of charge.
- f) The Minn Kota charger will only charge 12 volt 6 cell LEAD-ACID: FLOODED/WET CELL, MAINTENANCE FREE, and AGM/STARVED ELECTROLYTE batteries. Do not connect the output of the charger to any other voltage or battery type.

13. CHARGER LOCATION

- a) Locate charger as far away from battery as dc cables permit.
- b) Never place charger directly above battery being charged; gases from battery will corrode and damage charger.
- c) Never allow battery acid to drip on charger when reading electrolyte specific gravity or filling battery.
- d) Do not operate charger in a closed-in area or restrict ventilation in any way.
- e) Do not set a battery on top of charger.
- f) Each DC output cord is six feet long. Make sure that all DC output cords can reach the batteries and that the AC power cord can reach a power source. Do not shorten the DC output cords, as this can affect charger output.

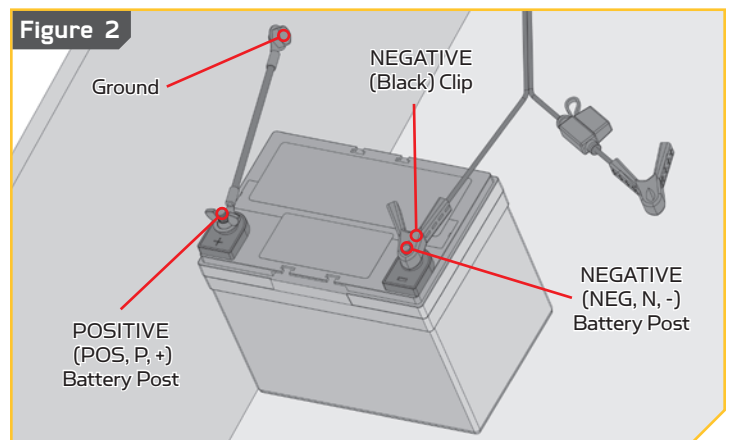
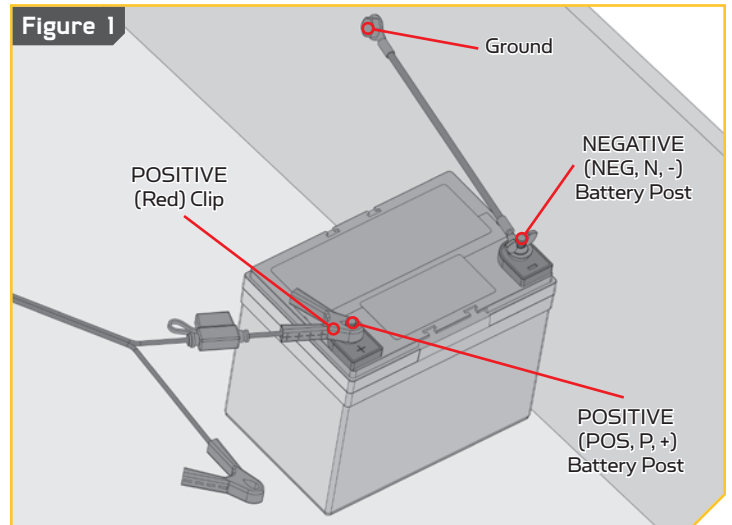
SAFETY INSTRUCTIONS

14. DC CONNECTION PRECAUTIONS

- a) Connect and disconnect dc output clips only after setting any charger switches to "off" position and removing ac cord from electric outlet. Never allow clips to touch each other.
- b) Attach clips to battery and chassis as indicated in 15(e), 15(f), and 16(b).

15. FOLLOW THESE STEPS WHEN BATTERY IS INSTALLED IN VEHICLE. A SPARK NEAR BATTERY MAY CAUSE BATTERY EXPLOSION. TO REDUCE RISK OF A SPARK NEAR BATTERY:

- a) Position ac and dc cords to reduce risk of damage by hood, door, or moving engine part.
- b) Stay clear of fan blades, belts, pulleys, and other parts that can cause injury to persons.
- c) Check polarity of battery posts. POSITIVE (POS, P, +) battery post usually has a larger diameter than NEGATIVE (NEG, N, -) post.
- d) Determine which post of battery is grounded (connected) to the chasis. If negative post is grounded to chasis (as in most vehicles), see (e). If positive post is grounded to the chasis, see (f).
- e) For negative-grounded vehicle, connect POSITIVE (RED) clip from battery charger to POSITIVE (POS, P, +) ungrounded post of battery. Connect NEGATIVE (BLACK) clip to vehicle chassis or engine block away from battery. Do not clip to carburetor, fuel lines, or sheet-metal body parts. Connect to a heavy gage metal part of the frame or engine block. (Refer to Figure 1).
- f) For positive-grounded vehicle, connect NEGATIVE (BLACK) clip from battery charger to NEGATIVE (NEG, N, -) ungrounded post of battery. Connect POSITIVE (RED) clip to vehicle chassis or engine block away from battery. Do not connect clip to carburetor, fuel lines, or sheet-metal body parts. Connect to a heavy gage metal part of the frame or engine block. (Refer to Figure 2).
- g) When disconnecting charger, turn switches to off, disconnect AC cord, remove clip from vehicle chassis, and then remove clip from battery terminal.
- h) See operating instructions for length of charge information.



16. FOLLOW THESE STEPS WHEN BATTERY IS OUTSIDE VEHICLE. A SPARK NEAR THE BATTERY MAY CAUSE BATTERY EXPLOSION. TO REDUCE RISK OF A SPARK NEAR BATTERY:

- a) Check polarity of battery posts. POSITIVE (POS, P, +) battery post usually has a larger diameter than NEGATIVE (NEG, N, -) post.
- b) Connect POSITIVE (RED) charger clip to POSITIVE (POS, P, +) post of battery. Connect NEGATIVE (BLACK) charger clip to NEGATIVE (NEG, N, -) post of battery.
- c) Do not face battery when making final connection.
- d) When disconnecting charger, always do so in reverse sequence of connecting procedure.
- e) A marine (boat) battery must be removed and charged on shore. To charge it on board requires equipment specially designed for marine use.



DANGER

17. DANGER - Never alter AC cord or plug provided – if it will not fit outlet, have proper outlet installed by a qualified electrician. Improper connection can result in a risk of an electric shock.



DANGER

18. DANGER - Do not attempt to repair or service the charger yourself. Opening the charger may expose you to high voltages, the risk of electric shock, and other hazards.



DANGER

19. DANGER - Do not splice the AC power cord.



CAUTION

20. CAUTION - When using an extension cord, make the AC connection to the charger outside of the battery compartment as far away as practical to reduce the risk of a spark igniting gasses in the compartment.



CAUTION

21. CAUTION - Even though the Minn Kota charger is capable of operating in a high ambient temperature environment, a minimum of six inches of unobstructed area should be allowed on all sides of the unit for proper air circulation and cooling. Proper cooling and circulation will allow the charger to operate at peak efficiency.

SAFETY INSTRUCTIONS

CAUTION

22. CAUTION - Before making any connections to batteries in a confined space (such as a battery compartment of a boat), open the door or hatch of the compartment and allow it to air out for 15 minutes. This allows any gasses that have accumulated in the compartment to escape.

CAUTION

23. CAUTION - We recommend that you not recharge your battery, with the watercraft or motor lower unit in the water during electrical storms. Severe damage to the motor or charging system may occur if lightning strikes nearby or if storm related high voltage conditions exist.

CAUTION

24. CAUTION - If using a generator to power the charger, it must have a clean output and be safe for use on electrical equipment. Generators with a sine wave output can be used to power this charger. See the table in the Maintenance Instructions for power requirements.

DANGER

25. DANGER - Damaged cords and plugs can cause electric shock or electrocution.

WARRANTY

WARRANTY ON MINN KOTA BATTERY CHARGERS

Johnson Outdoors Marine Electronics, Inc. ("JOME") extends the following limited warranty to the original retail purchaser only. Warranty coverage is not transferable.

Minn Kota Limited Three-Year Replacement Warranty on the Entire Product

JOME warrants to the original retail purchaser only that the purchaser's new Minn Kota battery charger and battery maintainer will be materially free from defects in materials and workmanship appearing within three (3) years after the date of purchase. JOME will (at its option) replace, free of charge, any charger found by JOME to be defective during the term of this warranty. Such replacement shall be the sole and exclusive liability of JOME and the sole and exclusive remedy of the purchaser for breach of this warranty.

Exclusions & Limitations

This limited warranty does not apply to products that have been used commercially or for rental purposes. This limited warranty does not cover normal wear and tear, blemishes that do not affect the operation of the product, or damage caused by accidents, abuse, alteration, modification, shipping damages, acts of God, negligence of the user or misuse, improper or insufficient care or maintenance. **DAMAGE CAUSED BY THE USE OF OTHER REPLACEMENT PARTS NOT MEETING THE DESIGN SPECIFICATIONS OF THE ORIGINAL PARTS WILL NOT BE COVERED BY THIS LIMITED WARRANTY.** The cost of normal maintenance or replacement parts which are not in breach of the limited warranty are the responsibility of the purchaser. Prior to using products, the purchaser shall determine the suitability of the products for the intended use and assumes all related risk and liability. Any assistance JOME provides to or procures for the purchaser outside the terms, limitations or exclusions of this limited warranty will not constitute a waiver of the terms, limitations or exclusions, nor will such assistance extend or revive the warranty. JOME will not reimburse the purchaser for any expenses incurred by the purchaser in repairing, correcting or replacing any defective products or parts, except those incurred with JOME's prior written permission. **JOME'S AGGREGATE LIABILITY WITH RESPECT TO COVERED PRODUCTS IS LIMITED TO AN AMOUNT EQUAL TO THE PURCHASER'S ORIGINAL PURCHASE PRICE PAID FOR SUCH PRODUCT.**

Minn Kota Service Information

To obtain warranty service in the U.S., the product believed to be defective, and proof of original purchase (including the date of purchase), must be presented to Minn Kota's factory service center in Mankato, MN. Any charges incurred for service calls, transportation or shipping/freight to/from the Minn Kota Authorized Service Center or factory, labor to haul out, remove, re-install or re-rig products removed for warranty service, or any other similar items are the sole and exclusive responsibility of the purchaser. Products purchased outside of the U.S. must be returned prepaid with proof of purchase (including the date of purchase and serial number) to any Authorized Minn Kota Service Center in the country of purchase. Warranty service can be arranged by contacting a Minn Kota Authorized Service Center or by contacting the factory at 1-800-227-6433 or email service@minnkotamotors.com. **Products repaired or replaced will be warranted for the remainder of the original warranty period [or for 90 days from the date of repair or replacement, whichever is longer]. For any product that is returned for warranty service that JOME finds to be not covered by or not in breach of this limited warranty, there will be a billing for services rendered at the prevailing posted labor rate and for a minimum of at least one hour.**

NOTE: Do not return your Minn Kota product to your retailer. Your retailer is not authorized to repair or replace products.

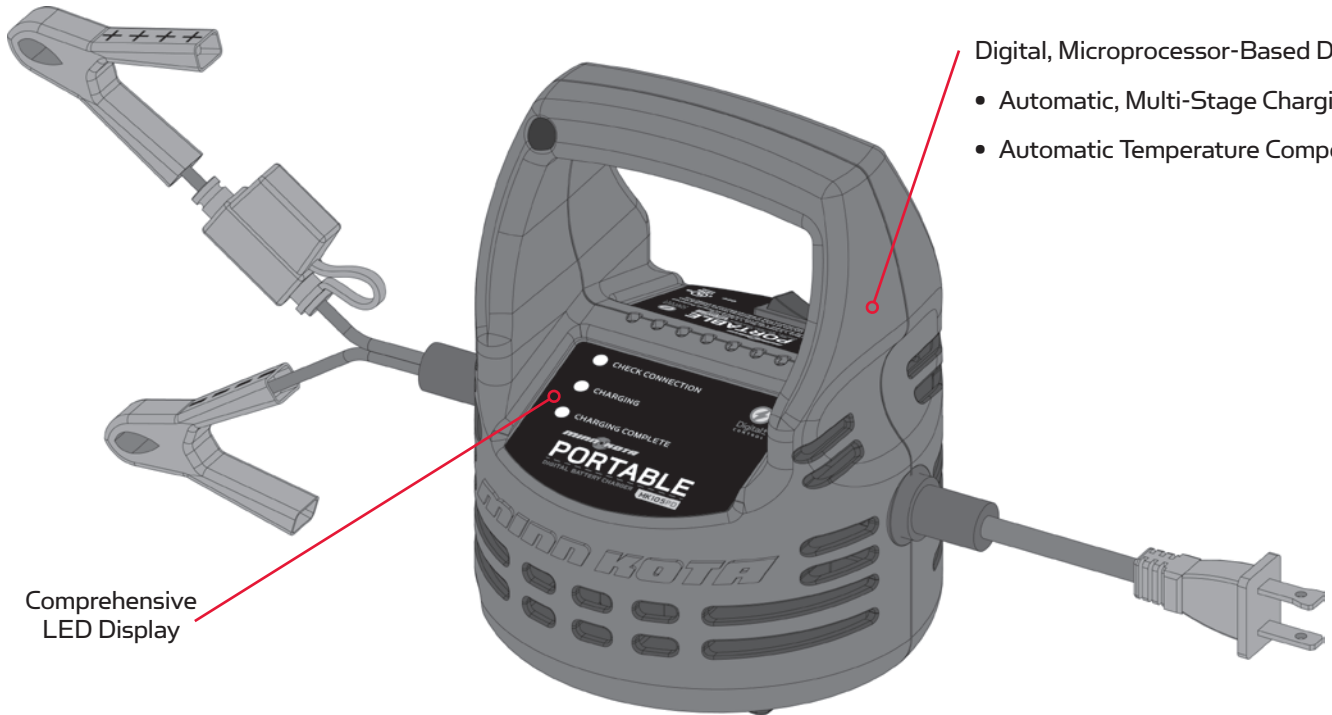
NOTE: THERE ARE NO EXPRESS WARRANTIES OTHER THAN THESE LIMITED WARRANTIES. IN NO EVENT SHALL ANY IMPLIED WARRANTIES INCLUDING ANY IMPLIED WARRANTIES OF MERCHANTABILITY OR FITNESS FOR PARTICULAR PURPOSE, EXTEND BEYOND THE DURATION OF THE RELEVANT EXPRESS LIMITED WARRANTY. IN NO EVENT SHALL JOME BE LIABLE FOR PUNITIVE, INDIRECT, INCIDENTAL, CONSEQUENTIAL OR SPECIAL DAMAGES. Without limiting the foregoing, JOME assumes no responsibility for loss of use of product, loss of time, inconvenience or other damage.

Some states do not allow limitations on how long an implied warranty lasts or the exclusion or limitation of incidental or consequential damages, so the above limitations and/or exclusions may not apply to you. This warranty gives you specific legal rights and you may also have other legal rights which vary from state to state.

NOTE: There are no serviceable components inside the charger.

FEATURES

MK105PD

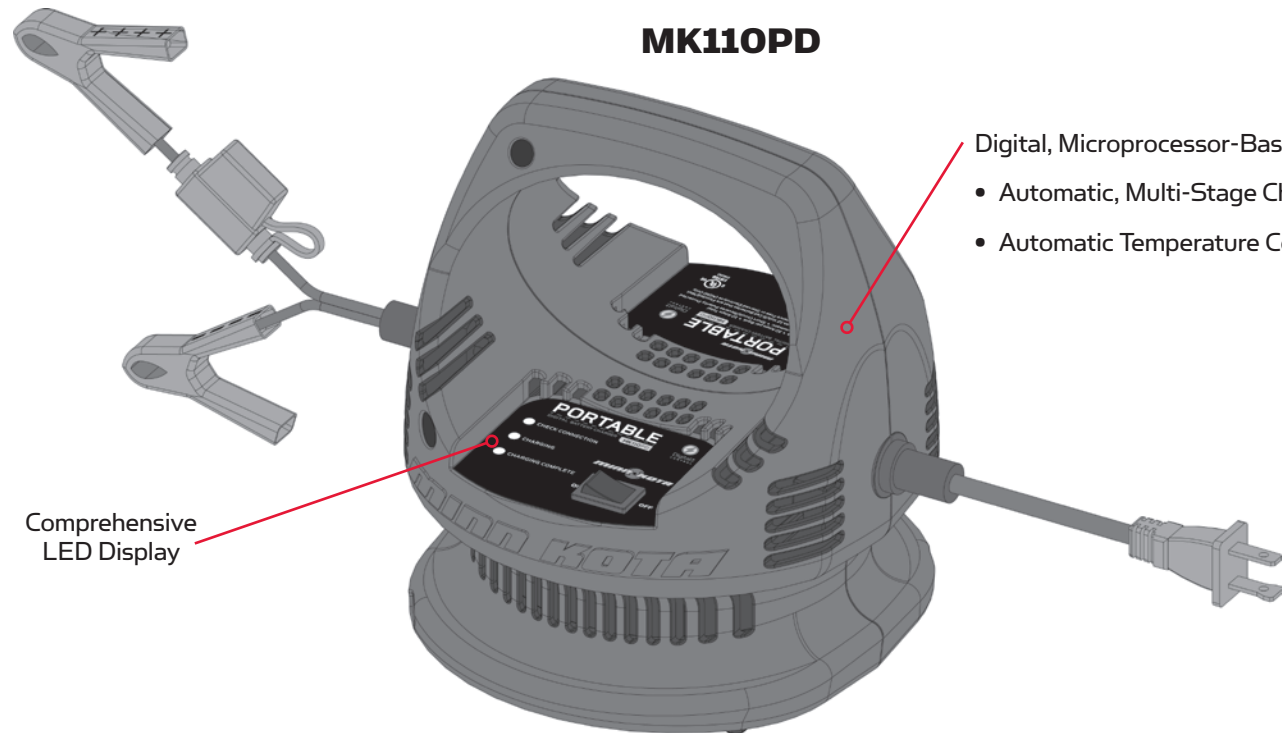


Digital, Microprocessor-Based Design for:

- Automatic, Multi-Stage Charging
- Automatic Temperature Compensation

Comprehensive
LED Display

MK110PD



Digital, Microprocessor-Based Design for:

- Automatic, Multi-Stage Charging
- Automatic Temperature Compensation

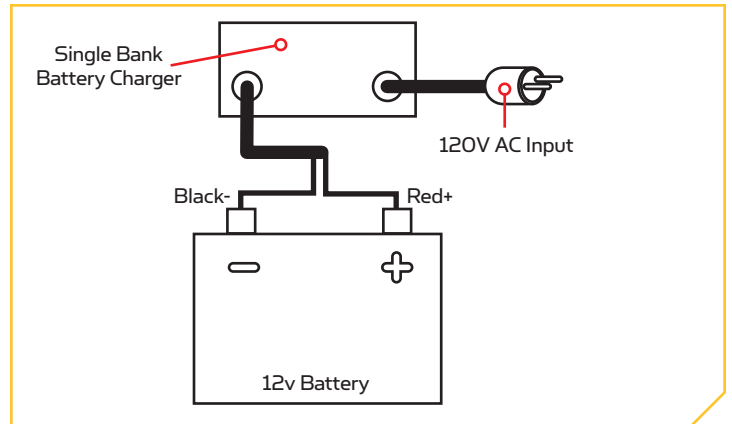
Comprehensive
LED Display

NOTE: Specifications subject to change without notice. This diagram is for reference only and may differ from your actual charger.

OPERATING INSTRUCTIONS

OVERVIEW

This is a high performance battery charger that has the ability to properly and safely work with LEAD-ACID: FLOODED/ WET CELL, MAINTENANCE FREE, and AGM/STARVED ELECTROLYTE batteries only. It is important to read and understand how to properly use the battery charger before charging batteries.



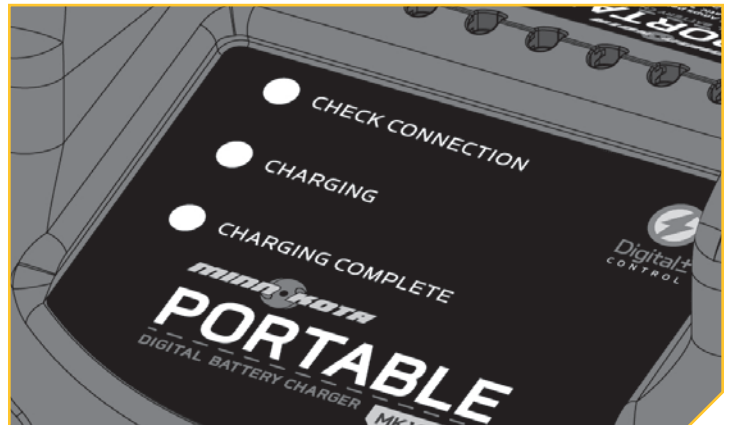
GENERAL OPERATION

After the AC cord on the charger is plugged in and a battery is connected to the output cable correctly, the Yellow LED will turn on. After 4 seconds the charger will begin charging the battery. The 4 second delay is added to allow the user to establish a good connection before the charger output is turned on. This will help prevent unwanted sparks during battery connections.

INDICATOR LEDS

Each bank has the following LEDs:

- A solid RED LED indicates there is an issue with the battery connection.
- A flashing RED LED indicates an error. See the Troubleshooting section of this manual.
- A YELLOW LED indicates the progress of charging.
- A flashing GREEN LED indicates battery is fully charged, in Maintenance Mode and ready to use.
- A solid GREEN LED indicates battery is fully charged, in long term Maintenance Mode and ready to use.



NOTE: If a RED LED is on, reference the Troubleshooting Section of this manual to determine the reason and take the necessary corrective action to remedy the situation. If you are unable to remedy the situation and need help, call the Minn Kota Service Department at 1.800.227.6433 and a technical support representative will be happy to assist you.

OPERATING INSTRUCTIONS

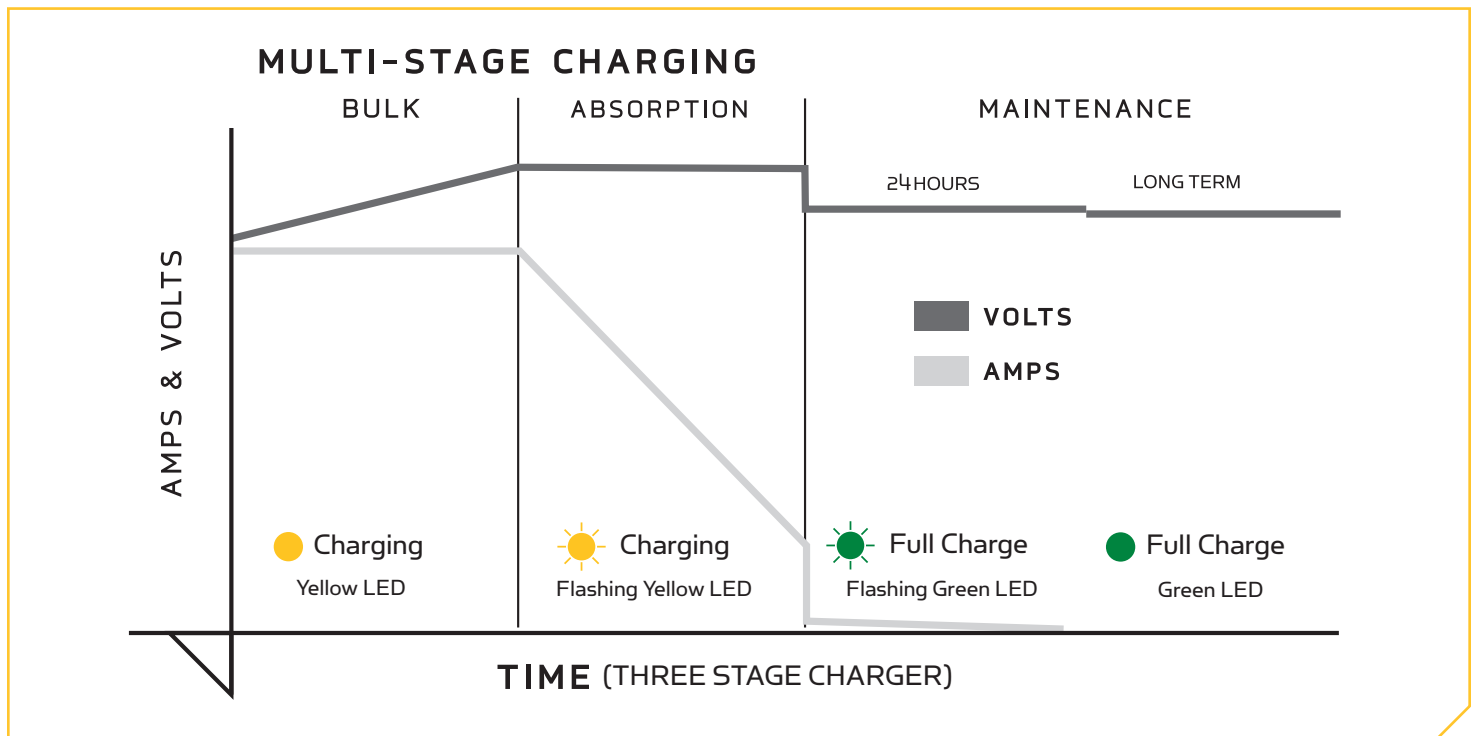
MULTI-STAGE CHARGING

Minn Kota's Multi-Stage Charging delivers a fast, precise charge profile by automatically controlling current and voltage without overcharging your batteries.

Bulk: During this stage, the charger delivers full current until the battery reaches ~75% charge. A YELLOW LED is lit to indicate the battery is charging in the Bulk Mode.

Absorption: The charging current tapers down while the battery voltage is held at 14.4V (at 77° F). A flashing YELLOW LED indicates the battery is charging in the Absorption Mode.

Maintenance: When the battery reaches full charge, the charger voltage is reduced. A flashing GREEN LED is lit to indicate the battery is in Maintenance Mode and ready to use. After 24 hours, the charger automatically turns off and a steady GREEN LED is lit to indicate the battery is in long term Maintenance Mode and ready to use. The charger will automatically resume charging when the battery voltage drops below 12.6V.



TROUBLESHOOTING

Error Condition	Solution
RED LED is lit. Check connection.	<ul style="list-style-type: none"> • Check polarity of leads to battery. • Check connections to battery and fuses in output cord. • Check voltage at battery. The bank will not charge a battery below 4 volts or above 18 volts. • If still not working, call the Minn Kota Service Department at 1-800-227-6433.
RED LED is flashing. Temperature sensor error.	<ul style="list-style-type: none"> • Reset the charger by unplugging the AC cord. Wait for all LEDs to turn off. • Plug in the AC cord. • If still not working, call the Minn Kota Service Department at 1-800-227-6433.
RED LED & GREEN LED is flashing. Battery may be damaged.	<ul style="list-style-type: none"> • Check to make sure there are not any loads on the battery. • Check the fluid in the battery and add fluid if necessary. • If the battery voltage does not rise above 10.5 volts in 3 hours, or if the absorption voltage does not increase to 14.4 volts (at 77F), the charger bank will shut down and will not charge. The battery should be tested. • If still not working, call the Minn Kota Service Department at 1-800-227-6433.
Indicator LEDs will not illumine.	<ul style="list-style-type: none"> • Check the AC power at the outlet. • Make sure the GFCI(Ground Fault Circuit Interrupter) for the outlet has not tripped. • If an extension cord is being used, check the AC power at the end of the extension cord. • If still not working, call the Minn Kota Service Department at 1-800-227-6433.
Charger powers up and then turns off.	<ul style="list-style-type: none"> • If an extension cord is being used, check the AC power at the end of the extension cord. • Extension cord AWG is too small - refer to chart in the Safety Instructions section. • Very low AC voltage is applied to the charger. • If still not working, call the Minn Kota Service Department at 1-800-227-6433.

NOTE: For all other malfunctions, please contact Custom Service. Our customer service representatives are available Monday – Friday between 7:00 a.m. – 4:30 p.m. CST at 800-227-6433.

MAINTENANCE INSTRUCTIONS

GENERAL MAINTENANCE

- Check battery charger for dirt, oil, battery corrosion, etc. Use a water and baking soda solution for cleaning corrosion. Wipe clean using a dry cloth.
- Check clips for dirt, oil, and battery corrosion; then disconnect from battery posts and clean as necessary with water and baking soda solution and dry with a clean cloth.
- When the charger is not in use, coil the power cord and output cord to prevent damage.
- When storing the battery charger, store in a clean dry area.
- If power cord or plug becomes damaged, you may contact the Minn Kota Service Repair Department for service repair information. Otherwise, dispose of the battery charger in compliance with local law. Damaged cords and plugs can cause electric shock or electrocution.



DANGER

Damaged cords and plugs can cause electric shock or electrocution.

MECHANICAL SPECIFICATIONS

Model	Part No.	Banks	Input Cable	Output Cable	Size L x W x H	Weight (lbs)
MK105PD	1831050	1	18AWG - 6"	16AWG - 6'	5" x 7" x 6-1/2"	3.5
MK110PD	1830110	1	18AWG - 6"	16AWG - 6'	7" x 9" x 7-3/4"	6.5

ELECTRICAL SPECIFICATIONS

Model	Part No.	System Volts	Output per Bank (amps)	Total Output (amps)	Input Current (120VAC, 60Hz)	Input Power (120VAC, 60Hz)
MK105PD	1831050	12	5	5	0.8A	90W
MK110PD	1830110	12	10	10	1.8A	180W

INLINE FUSE

The output cord has an inline fuse on the RED end. The fuse serves as protection from surges and short circuits caused by a damaged charger output cable. If a fuse blows, replace it with a 30 amp ATC 32V automotive fuse. Improper battery connections will normally not cause a fuse to blow since this is handled by the internal circuitry of the charger.

FREQUENTLY ASKED QUESTIONS

1. Can I charge two batteries on one charger bank?
 - Yes, but it is not recommended. It takes double the amount of time to charge two batteries and could result in an error being displayed if the batteries take too long to charge.
2. Do I need to disconnect the series or parallel battery connection(s) when using Minn Kota chargers?
 - No, the battery jumper wire(s) can remain in place for both types of wiring.

3. How warm do Minn Kota battery chargers get?

- The Minn Kota battery chargers can reach 150° F. They may get warm in an enclosed area. The maximum recommended room temperature for charging batteries is 122° F. If the charger seems to get “hot,” try opening a hatch to help cool the charger. When the charger is hot, the output current will drop to protect the charger and the battery.

4. What size fuses are used on Minn Kota battery chargers?

- Chargers with a yellow fuse holder use a 30 amp AGX 32V automotive fuse. An AGC can be used but may not fit as well as the AGX. Chargers with a red fuse holder use a 30 amp ATC 32V automotive fuse.

5. What Batteries can be charged by a Minn Kota charger?

- Minn Kota Chargers can charge 12 volt 6 cell lead-acid batteries. Minn Kota D Series Chargers and Minn Kota Portable Chargers work well with LEAD-ACID: FLOODED/WET CELL, MAINTENANCE FREE, and AGM/STARVED ELECTROLYTE. Minn Kota PC series Chargers have optimized charging for LEAD-ACID: FLOODED/WET CELL, MAINTENANCE FREE, GEL and AGM/STARVED ELECTROLYTE battery types. You should verify with your Battery’s Manufacturer the maximum Amp input for your Battery. The Amp Hour or AH rating for your battery should be in the range indicated below for the per bank amp output of the battery charger selected.

Model	Battery Charger Output Per Bank	Battery Amp Hour Rating
MK105PD	5 AMPS	20-125 AH
MK110PD	10 AMPS	40-125 AH

6. Will I damage my batteries if I leave the charger plugged in over long periods of non-use (like storage)?

- No. Minn Kota’s chargers float the battery voltage at 13.4V (at 77F) in the “maintenance” stage (3rd stage). This will allow you to keep your battery charger plugged in for long periods of time without “boiling the battery dry.”

NOTE: It is important to check the electrolyte level approximately every 30 days. Batteries should be filled after charging, and the electrolyte level should be even in all cells and below the fill well in each cell. If the battery plates are exposed before charging, add just enough water to cover the plates. If the battery is overfilled before charging, it may overflow during charging.

7. Can I charge Lithium batteries?

- Minn Kota has not worked directly with any Lithium battery suppliers to determine if our chargers are compatible with their batteries. Most of the Lithium Battery manufactures post required charge stage information on their web sites.

8. Are the chargers serviceable?

- There are no serviceable components inside the charger.

9. Can I use a portable generator to run my charger?

- Careful selection should be used when deciding on a portable generator for electronics. There are 2 important factors that must be considered:

Output power: Generators are marketed in output wattage. This wattage must be higher than the power required by the battery charger. Please review power requirements stated in the user manual for your specific charger.

Output type: Minn Kota chargers require clean output power from the generator to prevent permanent damage. The generator must replicate the power from a standard AC outlet in your home (sine wave output).

FOR FURTHER TROUBLESHOOTING AND REPAIR

FOR FURTHER TROUBLESHOOTING AND REPAIR

We offer several options to help you troubleshoot and/or repair your product. Please read through the options listed below.



Frequently Asked Questions

We have FAQs available on our website to help answer all of your Minn Kota questions. Visit minnkotamotors.com and click on “Frequently Asked Questions” to find an answer to your question.



Call Us (for U.S. and Canada)

Our customer service representatives are available Monday – Friday between 7:00 a.m. – 4:30 p.m. CST at 800-227-6433.

NOTE: There are no serviceable components inside the charger.



Email Us

You can email our consumer service department with questions regarding your Minn Kota products. To email your question, visit minnkotamotors.com and click on “Support”.



Scan to visit
Minn Kota
service online.

COMPLIANCE STATEMENTS

ENVIRONMENTAL COMPLIANCE STATEMENT

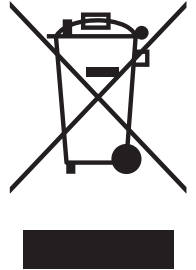
It is the intention of JOME to be a responsible corporate citizen, operating in compliance with known and applicable environmental regulations, and a good neighbor in the communities where we make or sell our products.

WEEE DIRECTIVE

EU Directive 2002/96/EC "Waste of Electrical and Electronic Equipment Directive (WEEE)" impacts most distributors, sellers, and manufacturers of consumer electronics in the European Union. The WEEE Directive requires the producer of consumer electronics to take responsibility for the management of waste from their products to achieve environmentally responsible disposal during the product life cycle.

WEEE compliance may not be required in your location for electrical & electronic equipment (EEE), nor may it be required for EEE designed and intended as fixed or temporary installation in transportation vehicles such as automobiles, aircraft, and boats. In some European Union member states, these vehicles are considered outside of the scope of the Directive, and EEE for those applications can be considered excluded from the WEEE Directive requirement.

This symbol (WEEE wheelie bin) on product indicates the product must not be disposed of with other household refuse. It must be disposed of and collected for recycling and recovery of waste EEE. Johnson Outdoors Inc. will mark all EEE products in accordance with the WEEE Directive. It is our goal to comply in the collection, treatment, recovery, and environmentally sound disposal of those products; however, these requirements do vary within European Union member states. For more information about where you should dispose of your waste equipment for recycling and recovery and/or your European Union member state requirements, please contact your dealer or distributor from which your product was purchased.



DISPOSAL

Minn Kota chargers are not subject to the disposal regulations EAG-VO (electric devices directive) that implements the WEEE directive. Nevertheless never dispose of your Minn Kota charger in a garbage bin but at the proper place of collection of your local town council.

Never dispose of battery in a garbage bin. Comply with the disposal directions of the manufacturer or his representative and dispose of them at the proper place of collection of your local town council.



WARNING

This product contains chemicals known to the State of California to cause cancer and birth defects or other reproductive harm.

FCC COMPLIANCE

This device complies with Part 15 of the FCC rules.

Operation is subject to the following two conditions:

1. This device may not cause harmful interference.
2. This device must accept any interference that may be received, including interference that may cause undesired operation.

Changes or modifications not expressly approved by Johnson Outdoors Marine Electronics, Inc. could void the user's authority to operate this equipment.

COMPLIANCE STATEMENTS

NOTE: This equipment has been tested and found to comply with the limits for a Class B digital device, pursuant to part 15 of the FCC Rules. These limits are designed to provide reasonable protection against harmful interference in a residential installation. This equipment generates, uses and can radiate radio frequency energy and, if not installed and used in accordance with the instructions, may cause harmful interference to radio communications. However, there is no guarantee that interference will not occur in a particular installation. **If this equipment does cause harmful interference to radio or television reception, which can be determined by turning the equipment off and on, the user is encouraged to try to correct the interference by one or more of the following measures:**

- Reorient or relocate the receiving antenna.
- Increase the separation between the equipment and receiver.
- Connect the equipment into an outlet on a circuit different from that to which the receiver is connected.
- Consult the dealer or an experienced radio/TV technician for help.

INDUSTRY CANADA COMPLIANCE

This product meets the applicable Industry Canada technical specifications. Operation is subject to the following two conditions: (1) this device may not cause interference, and (2) this device must accept any interference, including interference that may cause undesired operation of the device.

Changes or modifications not expressly approved by Johnson Outdoors Marine Electronics, Inc. could void the user's authority to operate this equipment.

ENVIRONMENTAL RATINGS

Ambient operating temperature range: -10C to 50C

Ambient operating humidity range: 5% to 95%

Maximum operating altitude: 10,000 feet

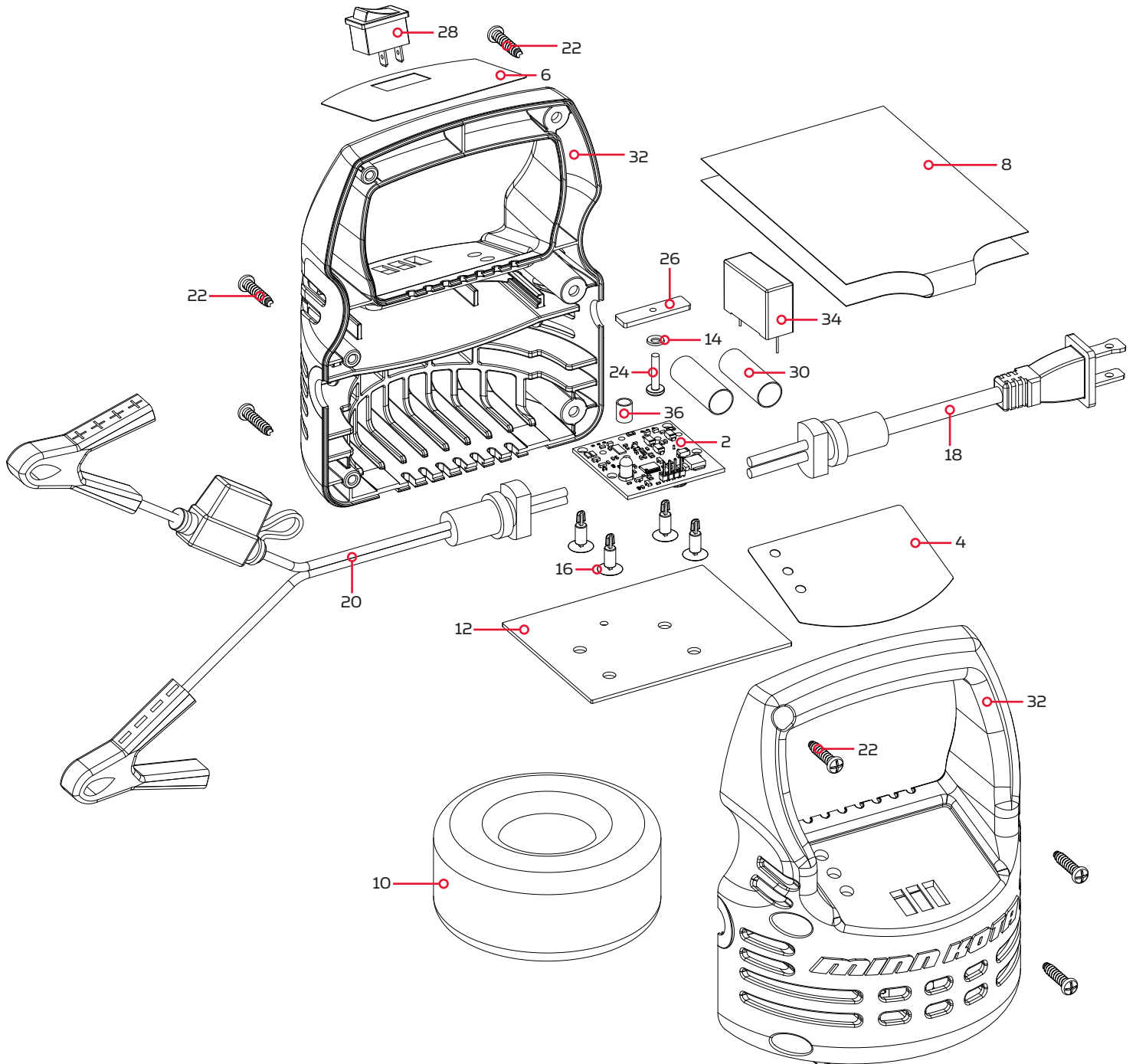
PARTS DIAGRAM & PARTS LIST

MK105PD

This page provides Minn Kota® WEEE compliance instructions. Charger can not be disassembled, but the cords can be cut and removed. For more information about where you should dispose of your waste equipment for recycling and recovery and/or your European Union member state requirements, please contact your dealer or distributor from which your product was purchased.

Tools required, but not limited to: wire cutters.

Parts Diagram



PARTS DIAGRAM & PARTS LIST

Parts List

Item	Part #	Description	Quantity
▲	✘	POST CARD, REGISTRATION	1
▲	✘	MANUAL, MK110PD & MK105PD	1
2	✘	CTRL BOARD, PORT.DIGITAL CHRGR	1
4	✘	DECAL-FRONT, MK105PD	1
6	✘	DECAL-BACK, MK105PD	1
8	✘	LABEL-WARNING, MK105PD	1
10	✘	TRANSFORMER, MK105PD	1
12	✘	HEAT SINK, MK105PD	1
14	✘	WASHER-BELLEVILLE, 3MM	1
16	✘	STAND-OFF, MK105P CHRGR, 15MM	4
18	✘	CORD-INPUT, PORTABLE CHRGR, SJT	1
20	✘	CORD-OUTPUT, MK105P W/FUSE HLDR	1
22	✘	SCREW M4 X 18MM TYPE BT BZPS	6
24	✘	SCREW-T-BAR M3.5 X 15 MM	1
26	✘	T-BAR 30 X 8 X 2MM	1
28	✘	SWITCH, PORTABLE CHARGER	1
30	✘	BOOT-SILICONE 11 X 26MM	2
32	✘	HOUSING, MK105P PORTABLE CHRGR	2
34	✘	EMI FILTER, CHRGRS, 1.0 UF	1
36	✘	BOARD WIRE INSULATION	1

✘ This part cannot be ordered individually.

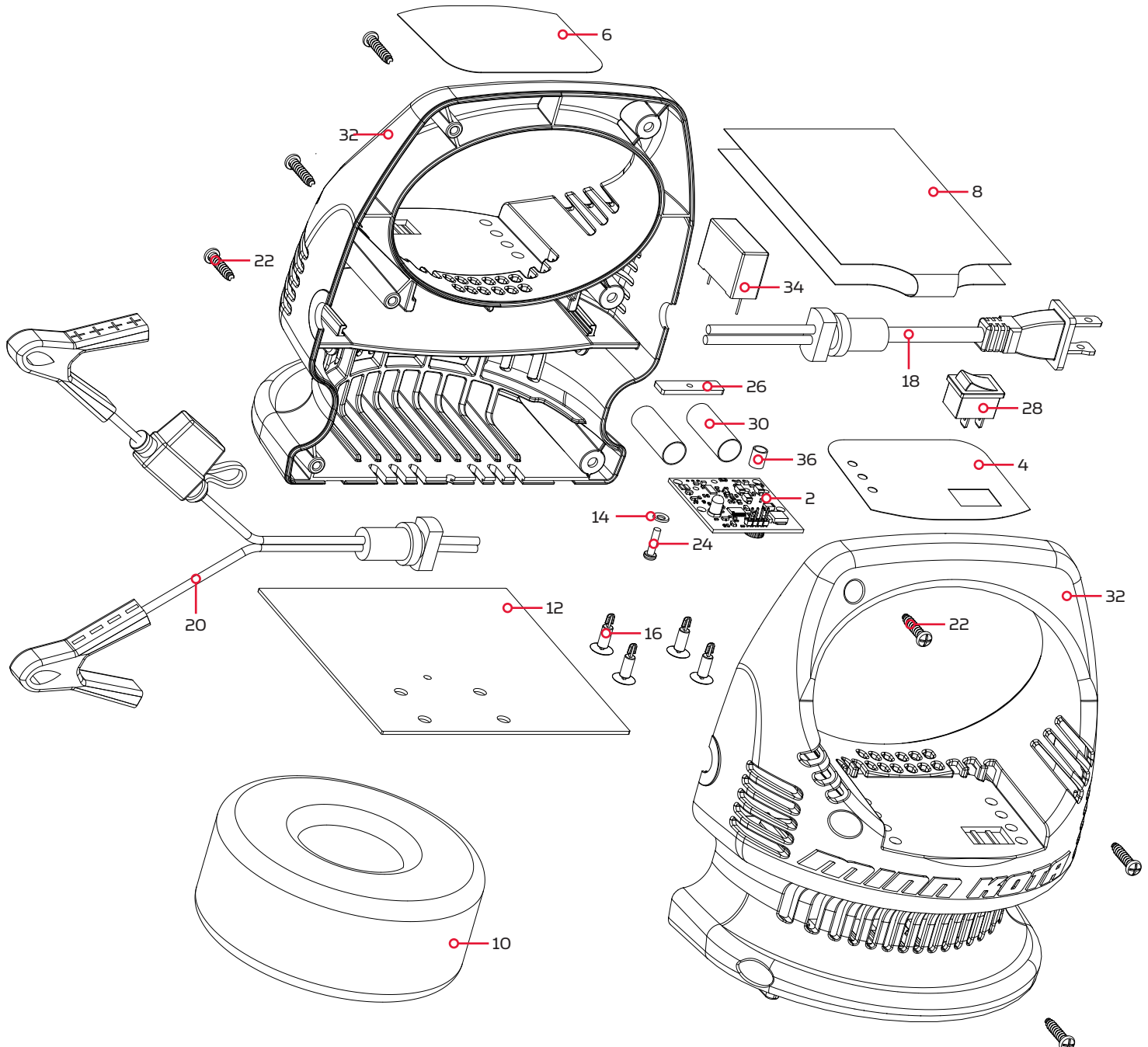
▲ Not shown on Parts Diagram.

MK110PD

This page provides Minn Kota® WEEE compliance instructions. Charger can not be disassembled, but the cords can be cut and removed. For more information about where you should dispose of your waste equipment for recycling and recovery and/or your European Union member state requirements, please contact your dealer or distributor from which your product was purchased.

Tools required, but not limited to: wire cutters.

Parts Diagram



PARTS DIAGRAM & PARTS LIST

Parts List

Item	Part #	Description	Quantity
▲	✘	POST CARD, REGISTRATION	1
▲	✘	MANUAL, MK110PD & MK105PD	1
2	✘	CTRL BOARD, PORT.DIGITAL CHRGR	1
4	✘	DECAL-FRONT, MK110PD	1
6	✘	DECAL-BACK, MK110PD	1
8	✘	LABEL-WARNING, MK110PD	1
10	✘	TRANSFORMER, MK110PD	1
12	✘	HEAT SINK, MK110PD	1
14	✘	WASHER-BELLEVILLE, 3MM	1
16	✘	STAND OFF, PORTABLE CHARGER	4
18	✘	CORD-INPUT, PORTABLE CHRGR, SJT	1
20	✘	CORD-OUTPUT, MK110P W/FUSE HLDR	1
22	✘	SCREW M4 X 18MM TYPE BT BZPS	6
24	✘	SCREW-T-BAR, M3	1
26	✘	T-BAR 30 X 8 X 2MM	1
28	✘	SWITCH, PORTABLE CHARGER	1
30	✘	BOOT-SILICONE 11 X 26MM	2
32	✘	HOUSING, PORTABLE CHARGER	2
34	✘	EMI FILTER, CHRGRS, 1.0 UF	1
36	✘	BOARD WIRE INSULATION	1

✘ This part cannot be ordered individually.

▲ Not shown on Parts Diagram.

NOTES

RECOMMENDED ACCESSORIES

TALON SHALLOW WATER ANCHOR

Talon deploys faster, holds stronger and runs quieter than any other shallow water anchor. Available in depths up to 12' and bold color options including camo, it boasts an arsenal of features and innovations that no other anchor can touch:



- Vertical, Multi-Stage Deployment
- User-Selectable Anchoring Modes
- 2x Anchoring Force
- Fast Deploy
- Auto Up/Down
- Triple Debris Shields
- Built-In Wave Absorption
- Noise Dissipation
- Versatile Adjustments

MINN KOTA ACCESSORIES

We offer a wide variety of trolling motor accessories, including:



- 60-Amp Circuit Breaker
- Mounting Brackets
- Stabilizer Kits
- Extension Handles
- Battery Connectors
- Battery Boxes
- Quick Connect Plugs

For a complete listing of Minn Kota accessories, visit minnkotamotors.com

Follow us:



minnkotamotors.com

Minn Kota Consumer & Technical Service
Johnson Outdoors Marine Electronics, Inc.
PO Box 8129
Mankato, MN 56001

121 Power Drive
Mankato, MN 56001
Phone (800) 227-6433
Fax (800) 527-4464



©2017 Johnson Outdoors Marine Electronics, Inc.
All rights reserved.



CHARGEURS NUMÉRIQUES PORTATIFS

MK105PD

MK110PD

MANUEL DE L'UTILISATEUR

PRÉSENTATION

MERCI

Nous vous remercions d'avoir choisi Minn Kota. Nous croyons que vous devez passer plus de temps à pêcher, voilà pourquoi nous fabriquons les produits marins les plus intelligents, résistants et intuitifs sur l'eau. Chaque aspect d'un article Minn Kota est envisagé et étudié jusqu'à ce qu'il soit digne de porter notre nom. Des heures incalculables de recherche et d'essai vous assurent les avantages d'un article Minn Kota qui vous mènera « n'importe où, et n'importe quand. » Notre principe est simple, nous faisons les choses selon les règles. Nous sommes Minn Kota. Et nous ne cesserons jamais de vous aider à pêcher plus de poissons.

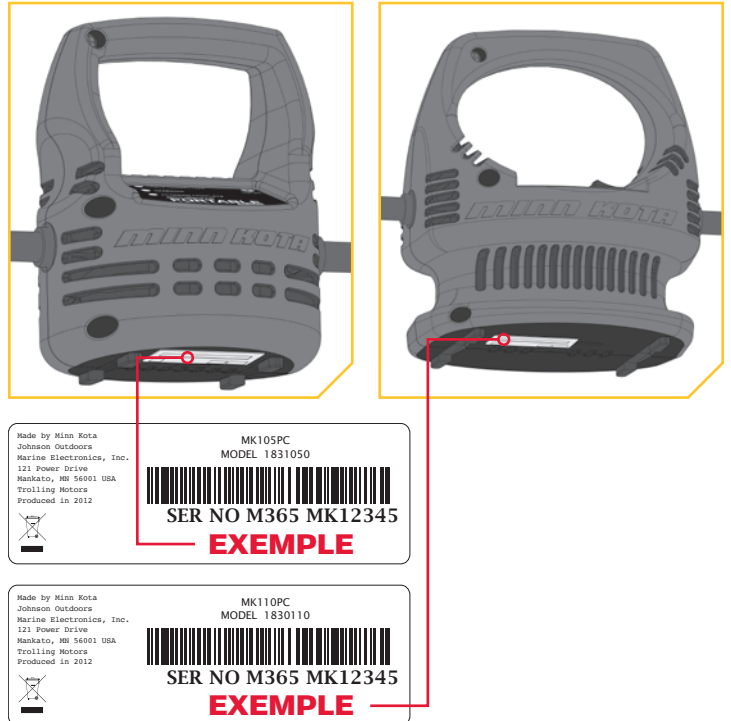
ENREGISTREMENT

N'oubliez pas de conserver votre reçu et d'enregistrer immédiatement votre produit. Une fiche d'enregistrement est fournie avec votre produit; vous pouvez également effectuer l'enregistrement sur notre site Web à minnkotamotors.com.

NUMÉRO DE SÉRIE

Le numéro de série à 11 caractères Minn Kota est très important. Cela permet de déterminer le modèle spécifique et l'année de fabrication. Lorsque vous contactez le service à la clientèle ou que vous enregistrez votre article, vous aurez besoin du numéro de série de votre article. Nous vous suggérons d'écrire le numéro de série afin qu'il soit disponible à des fins de référence future.

REMARQUE : Le numéro de série de votre chargeur numérique portatif se trouve sous le chargeur.



INFORMATIONS SUR LE PRODUIT (À DES FINS DE RÉFÉRENCE PAR LE CLIENT SEULEMENT)

Modèle : _____

Numéro de série : _____

Date d'achat : _____

Magasin où acheté : _____

REMARQUE : Ne pas retourner votre chargeur Minn Kota à votre détaillant. Le détaillant n'est pas autorisé à réparer ou à remplacer cet appareil. Pour obtenir du service, communiquer avec Minn Kota au (800) 227-6433. Pour obtenir un service au titre de la garantie, veuillez inclure la preuve d'achat, le numéro de série et la date d'achat.

TABLE DES MATIÈRES

TABLE DES MATIÈRES

CONSIGNES DE SÉCURITÉ	28
Importantes consignes de sécurité	28
Précautions individuelles	29
Préparation à charger	29
Position du chargeur	29
Précautions pour les connexions CC.....	30
GARANTIE	33
CARACTÉRISTIQUES	34
MODE D'EMPLOI	35
Vue d'ensemble	35
Fonctionnement général.....	35
Indicateurs DEL	35
Charge multi-phase.....	36
Dépannage.....	37
INSTRUCTIONS D'ENTRETIEN	38
Entretien général.....	38
Fusible en ligne	38
Foire aux questions	38
Pour d'autres services de dépannage et de réparation.....	40
DÉCLARATIONS DE CONFORMITÉ	41
Déclaration de conformité environnementale.....	41
Directive DEEE	41
Mise au rebut.....	41
Conformité aux normes FCC.....	41
Conformité aux normes d'Industrie Canada	42
Cotes environnementales	42
SCHÉMA DES PIÈCES ET LISTE DES PIÈCES	43
MK105PD	43
MK110PD	45
REMARQUES	47

CONSIGNES DE SÉCURITÉ

IMPORTANTES CONSIGNES DE SÉCURITÉ - CONSERVER CES CONSIGNES

1. CONSERVER CES CONSIGNES - Ce manuel contient d'importantes consignes de sécurité et d'utilisation pour votre chargeur de batterie Minn Kota. Le chargeur de batterie Minn Kota est un appareil électrique puissant. S'il est mal installé, configuré ou utilisé, le chargeur de batterie peut endommager les batteries ou le matériel électrique. Veuillez lire attentivement les consignes et l'information de sécurité qui figurent dans ce manuel avant d'utiliser le chargeur de batterie.

2. Ne pas exposer le chargeur à la pluie ou à la neige.

3. L'emploi de tout accessoire non recommandé ou vendu par Johnson Outdoors Marine Electronics, Inc. peut provoquer un risque d'incendie, de choc électrique ou de blessure corporelle.

4. Pour réduire le risque d'endommager le cordon d'alimentation et la fiche électrique, débrancher le chargeur en tirant sur la fiche plutôt que sur le cordon.

5. Aucune rallonge ne devrait être utilisée, sauf si absolument nécessaire. L'emploi d'une rallonge inappropriée peut provoquer un risque d'incendie ou de choc électrique. Si l'emploi d'une rallonge s'avère nécessaire, vous assurer :

a) que la rallonge compte le même nombre de broches que la fiche, et qu'elles sont de même calibre et de même forme que la fiche du chargeur;

b) que la rallonge est correctement câblée et en bon état électrique; et

c) que les fils sont de calibre suffisant pour l'intensité CC nominale du chargeur, telle que spécifiée dans le tableau.

MODÈLE	CALIBRE AWG			
	Rallonge CC de 25 pi (7,6 m)	Rallonge CC de 50 pi (15,2 m)	Rallonge CC de 100 pi (30,5 m)	Rallonge CC de 150 pi (45,7 m)
MK105PD	18 AWG	18 AWG	18 AWG	16 AWG
MK110PD	18 AWG	18 AWG	18 AWG	16 AWG

6. Ne jamais utiliser un chargeur dont le cordon ou la fiche d'alimentation est endommagé.

7. Ne jamais utiliser un chargeur qui a subi un choc sévère, est tombé par terre ou autrement endommagé de quelque façon que ce soit.

8. Ne pas démonter le chargeur.

9. Pour réduire le risque de choc électrique, débrancher le chargeur de la prise murale et le déconnecter de la batterie avant de réaliser tout entretien ou nettoyage. Simplement désactiver les commandes ne réduira pas ce risque.



AVERTISSEMENT

10. AVERTISSEMENT - RISQUE DE GAZ EXPLOSIFS

a) TRAVAILLER PRÈS D'UNE BATTERIE AU PLOMB-ACIDE EST DANGEREUX. LES BATTERIES PRODUISENT DES GAZ EXPLOSIFS DURANT LEUR FONCTIONNEMENT NORMAL. PAR CONSÉQUENT, IL EST EXTRÊMEMENT IMPORTANT DE SUIVRE LES INSTRUCTIONS À CHAQUE UTILISATION DU CHARGEUR.

b) Pour réduire le risque d'explosion d'une batterie, suivre les présentes instructions et celles publiées par le fabricant de la batterie et le fabricant de tout matériel que vous prévoyez utiliser près de la batterie. Examiner les mises en garde qui figurent sur ces produits et sur le moteur.

11. PRÉCAUTIONS INDIVIDUELLES

- a) Lorsqu'on travaille près d'une batterie au plomb-acide, il faut prévoir d'être que quelqu'un soit assez près pour vous porter secours.
- b) Avoir une grande quantité de savon et d'eau douce à portée de main au cas où de l'acide entrerait en contact avec les vêtements, la peau ou les yeux.
- c) Porter une protection des yeux complète et une protection pour les vêtements. Éviter de toucher aux yeux en travaillant près d'une batterie.
- d) Si l'acide de la batterie entre en contact avec la peau ou les vêtements, laver immédiatement la zone touchée avec de l'eau savonneuse. Si de l'acide pénètre dans les yeux, rincer immédiatement les yeux à grande eau pendant au moins 10 minutes et obtenir immédiatement des soins médicaux.
- e) NE JAMAIS fumer ni approcher une étincelle ou une flamme nue d'une batterie ou d'un moteur.
- f) Dans la mesure du possible, faire preuve de prudence afin d'éviter la chute de tout outil métallique sur une batterie. Cela pourrait provoquer une étincelle ou court-circuiter la batterie ou tout autre composant électrique qui pourrait provoquer une explosion.
- g) Retirer tous les objets personnels métalliques, tels qu'anneaux, bracelets, colliers et montres, quand vous travaillez avec une batterie au plomb-acide. Une batterie au plomb-acide peut produire un court-circuit dont le courant serait assez élevé pour souder un anneau ou autre objet métallique semblable, et provoquer une grave brûlure.
- h) Utiliser le chargeur uniquement pour le chargement de batteries. Il n'est pas conçu pour alimenter un système électrique basse tension autre qu'un démarreur. Ne pas utiliser le chargeur pour recharger des batteries sèches couramment utilisées dans des appareils ménagers. Ces batteries peuvent exploser et causer des blessures aux personnes et des dommages aux biens.
- i) NE JAMAIS charger une batterie gelée.

12. PRÉPARATION À CHARGER

- a) Au besoin, retirer la batterie du bateau ou du véhicule pour la charger, déconnectant toujours la cosse de mise à la masse en premier. Veiller à ce que tous les accessoires dans le bateau ou le véhicule soient désactivés afin de ne provoquer aucun arc électrique.
- b) Assurer que la zone entourant la batterie durant son chargement est bien ventilée.
- c) Nettoyer les cosses de la batterie. Prendre soin d'éviter tout contact de la corrosion avec les yeux.
- d) Ajouter de l'eau distillée dans chaque cellule jusqu'à ce que l'acide de batterie atteigne le niveau indiqué par le fabricant de la batterie. Ne pas trop remplir. Suivre attentivement les instructions de recharge du fabricant pour les batteries sans bouchons amovibles comme les batteries au plomb-acide régulées par une vanne.
- e) Prendre connaissance de toutes les précautions relatives aux chargements du fabricant de la batterie, ainsi que de son régime de charge recommandé.
- f) Le chargeur Minn Kota ne charge que les batteries au PLOMB-ACIDE : HYDRO-ÉLECTRIQUES, SANS ENTRETIEN et AGM / À CHARGE INSUFFISANTE de 12 volts et 6 cellules. Ne pas connecter la sortie du chargeur à une batterie de toute autre tension ou de tout autre type.

13. POSITION DU CHARGEUR

- a) Placer le chargeur aussi loin de la batterie que les câbles CC le permettent.
- b) Ne jamais placer le chargeur directement au-dessus de la batterie en cours de charge, car les gaz de la batterie corroderont et endommageront le chargeur.
- c) Ne jamais laisser l'acide de la batterie s'égoutter sur le chargeur lors de la lecture de la densité de l'électrolyte ou le remplissage de la batterie.

CONSIGNES DE SÉCURITÉ

d) Ne pas utiliser le chargeur dans une zone fermée ni restreindre la ventilation d'aucune façon.

e) Ne pas déposer une batterie sur le chargeur.

f) Chaque cordon de sortie CC mesure six pieds (1,8 m) de longueur. Vous assurer que les cordons CC peuvent atteindre la batterie et que le cordon d'alimentation CA peut atteindre une source d'alimentation. Ne pas raccourcir les cordons de sortie CC, car ceci peut réduire la puissance de sortie du chargeur.

14. PRÉCAUTIONS POUR LES CONNEXIONS CC

a) Connecter et déconnecter les pinces de sortie CC uniquement après avoir tourné les commutateurs du chargeur à la position « Off (arrêt) » et avoir débranché le cordon d'alimentation de la prise de courant. Ne jamais laisser les pinces entrer en contact les unes avec les autres.

b) Fixer les pinces sur la batterie et le châssis comme indiqué à 15(e), 15(f) et 16(b).

15. SUIVRE CES ÉTAPES LORSQUE LE CHARGEUR EST INSTALLÉ DANS UN VÉHICULE. UNE ÉTINCELLE À PROXIMITÉ D'UNE BATTERIE PEUT PROVOQUER SON EXPLOSION. POUR RÉDUIRE LE RISQUE D'ÉTINCELLE À PROXIMITÉ DE LA BATTERIE :

a) Positionner les cordons CA et CC de manière à réduire le risque d'endommagement par le capot, les portes ou les pièces de moteur en mouvement.

b) Rester à l'écart des pales de ventilateur, des courroies, des poulies et d'autres pièces susceptibles de provoquer des blessures corporelles.

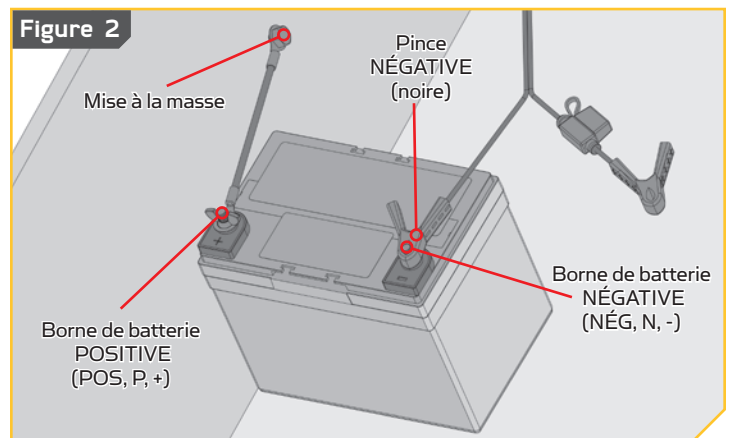
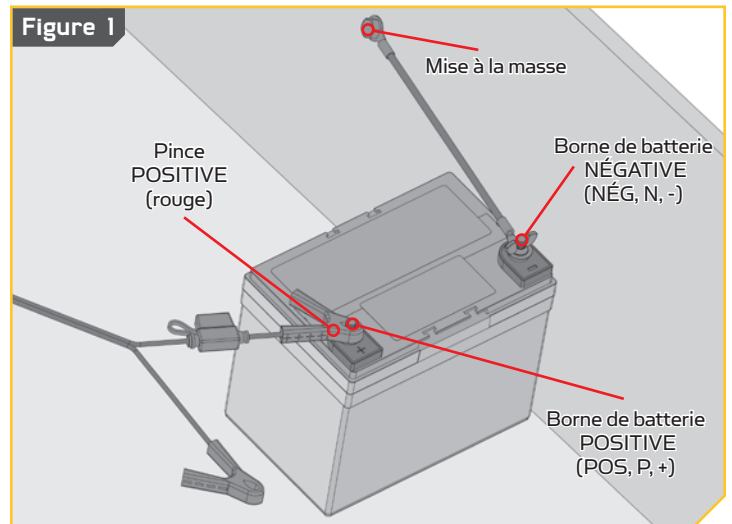
c) Vérifier la polarité des bornes de batterie. La borne POSITIVE (POS, P, +) de la batterie a généralement un diamètre plus important que celui de la borne NÉGATIVE (NÉG, N, -).

d) Déterminer quelle borne de batterie est mise à la masse (connectée) sur le châssis. Si la borne négative est mise à la masse sur le châssis (comme c'est le cas dans la plupart des véhicules), voir (e). Si la borne positive est mise à la masse sur le châssis, voir (f).

e) Pour les véhicules dont la borne négative est mise à la masse, connecter d'abord la pince POSITIVE (ROUGE) du chargeur de batterie à la borne POSITIVE (POS, P, +) non mise à la masse de la batterie. Connecter la pince NÉGATIVE (NOIRE) au châssis du véhicule ou au bloc-moteur, à l'écart de la batterie. Ne pas la pincer sur le carburateur, les conduites de carburant ou les tôles de carrosserie. La connecter sur une pièce métallique épaisse du châssis ou sur le bloc-moteur. (Voir Figure 1).

f) Pour les véhicules dont la borne positive est mise à la masse, connecter d'abord la pince NÉGATIVE (NOIRE) du chargeur de batterie à la borne NÉGATIVE (NÉG, N, -) non mise à la masse de la batterie. Connecter la pince POSITIVE (ROUGE) au châssis du véhicule ou au bloc-moteur, à l'écart de la batterie. Ne pas connecter la pince sur le carburateur, les conduites de carburant ou des tôles de carrosserie. La connecter sur une pièce métallique épaisse du châssis ou sur le bloc-moteur. (Voir Figure 2).

g) Lors de la déconnexion du chargeur, tourner les commutateurs à la position « Off (arrêt) », débrancher le cordon d'alimentation CA, déconnecter la pince du châssis et déconnecter la pince de la cosse de la batterie.



h) Voir le mode d'emploi pour l'information sur la durée de la charge.

16. SUIVEZ CES ÉTAPES LORSQUE LA BATTERIE SE TROUVE HORS DU VÉHICULE. UNE ÉTINCELLE À PROXIMITÉ DE LA BATTERIE PEUT PROVOQUER SON EXPLOSION. POUR RÉDUIRE LE RISQUE D'ÉTINCELLE À PROXIMITÉ DE LA BATTERIE :

- a) Vérifier la polarité des bornes de batterie. La borne POSITIVE (POS, P, +) de la batterie a généralement un diamètre plus important que celui de la borne NÉGATIVE (NÉG, N, -).
- b) Connecter la pince POSITIVE (ROUGE) du chargeur à la borne POSITIVE (POS, P, +) de la batterie. Connecter la pince NÉGATIVE (NOIRE) du chargeur à la borne NÉGATIVE (NÉG, N, -) de la batterie.
- c) Ne pas rester face à la batterie lors de la réalisation de la dernière connexion.
- d) Lors de la déconnexion du chargeur, toujours exécuter les étapes de la procédure de connexion en sens inverse.
- e) Une batterie marine (bateau) doit être retirée du bateau et chargée sur terre. La charger à bord exige un équipement spécialement conçu pour utilisation marine.



DANGER

17. DANGER - Ne jamais modifier le cordon d'alimentation CA ou la fiche fournie – si elle ne s'adapte pas à la prise, faire installer une prise adéquate par un électricien qualifié. Une mauvaise connexion peut entraîner un risque d'électrocution.



DANGER

18. DANGER - Ne pas tenter de réparer ou d'entretenir le chargeur vous-même. Ouvrir le chargeur peut vous exposer à des tensions élevées, à un risque d'électrocution et à d'autres dangers.



DANGER

19. DANGER - Ne pas épisser le cordon d'alimentation CA.



MISE EN GARDE

20. MISE EN GARDE - Lors de l'utilisation d'une rallonge, brancher le chargeur à la source d'alimentation CA le plus loin que pratiquement possible du compartiment de batterie afin de réduire le risque qu'une étincelle n'enflamme les gaz à l'intérieur du compartiment.



MISE EN GARDE

21. MISE EN GARDE - Même si le chargeur Minn Kota peut être utilisé dans un environnement à température ambiante élevée, nous recommandons de prévoir une zone libre de six pouces (15 cm) sur tous les côtés de l'appareil pour assurer une circulation d'air et un refroidissement appropriés. Un refroidissement et une circulation d'air appropriés permettront au chargeur de fonctionner au maximum de son efficacité.

CONSIGNES DE SÉCURITÉ



MISE EN GARDE

22. MISE EN GARDE - Avant toute connexion à des batteries dans un espace confiné (comme le compartiment à batterie d'un bateau), ouvrir la porte ou la trappe du compartiment et le laisser s'aérer pendant 15 minutes. Cela permet aux gaz qui se sont accumulés dans le compartiment de s'échapper.



MISE EN GARDE

23. MISE EN GARDE - Nous recommandons de ne pas charger la batterie avec l'embarcation ou le pied du moteur à l'eau durant les orages électriques. Le moteur ou le système de chargement peut subir de graves dommages si la foudre frappe à proximité ou s'il existe des conditions de haute tension en raison de l'orage.



MISE EN GARDE

24. MISE EN GARDE - Si le chargeur est alimenté au moyen d'une génératrice, elle doit posséder une sortie propre et être sécuritaire pour utilisation sur du matériel électrique. Ce chargeur peut être alimenté à l'aide d'une génératrice qui produit des ondes sinusoïdales. Voir le tableau dans les Instructions d'entretien pour les exigences d'alimentation.



DANGER

25. DANGER - Les cordons et fiches d'alimentation endommagés peuvent provoquer un choc électrique ou une électrocution.

GARANTIE

GARANTIE DES DE CHARGEURS DE BATTERIES

Johnson Outdoors Marine Electronics, Inc. (« JOME ») offre la garantie limitée suivante uniquement à l'acheteur au détail initial. La garantie n'est pas transférable.

Garantie Limitée de Trois Ans de Minn Kota sur l'Ensemble du Produit

JOME garantit uniquement à l'acheteur au détail initial que son nouveau propulseur électrique pour eau douce Minn Kota est exempt de défauts résultant d'un vice de fabrication et de main-d'œuvre pouvant survenir au cours des trois (3) ans suivant la date d'achat. JOME se réserve le droit de réparer ou de remplacer, au choix et gratuitement, toute pièce pouvant s'avérer défectueuse pendant la durée de la présente garantie. Cette réparation ou ce remplacement est l'unique et exclusive responsabilité de JOME et constitue le seul recours de l'acheteur pour tout manquement à la présente garantie.

Exclusions & Limitations

La présente garantie limitée ne s'applique pas aux produits qui ont été utilisés en eau salée, en eau saumâtre ou à des fins commerciales ou locatives. Cette garantie ne couvre pas l'usure normale, les imperfections qui n'affectent pas le fonctionnement du moteur, ni les dommages causés par les accidents, l'abus, l'altération, la modification, les dommages durant le transport, les désastres naturels, la négligence de l'utilisateur, l'utilisation abusive, un soin ou un entretien inadéquat. **LES DOMMAGES CAUSÉS PAR L'UTILISATION DE PIÈCES DE REMPLACEMENT NON CONFORMES AUX SPÉCIFICATIONS DE CONCEPTION DES PIÈCES ORIGINALES NE SONT PAS COUVERTS PAR LA PRÉSENTE GARANTIE LIMITÉE.** Le coût de l'entretien normal ou des pièces de rechange qui ne contreviennent pas à la garantie limitée incombe à l'acheteur. Avant utilisation, l'acheteur doit déterminer si le produit convient à l'emploi prévu et assume tous les risques et responsabilités connexes. Toute assistance fournie par JOME à l'acheteur ou au nom de ce dernier hors du cadre des modalités, des restrictions et des exclusions de la présente garantie limitée ne constitue pas une renonciation à l'égard de telles modalités, restrictions ou exclusions, et une telle assistance n'aura pas pour effet de prolonger ni de restaurer la garantie. JOME ne remboursera aucune dépense encourue par l'acheteur dans le cadre de la réparation, de la correction ou du remplacement de pièces ou de produits défectueux, à l'exception des dépenses engagées sur consentement écrit préalable de JOME. **LA RESPONSABILITÉ GLOBALE DE JOME À L'ÉGARD DES PRODUITS COUVERTS PAR LA GARANTIE EST LIMITÉE À UN MONTANT ÉQUIVALENT AU PRIX D'ACHAT PAYÉ POUR LE PRODUIT EN QUESTION.**

Information sur le Service Minn Kota

Pour obtenir le service au titre de la garantie aux États-Unis, le produit jugé défectueux et la preuve d'achat originale (comportant la date d'achat), doivent être présentés au centre de service de l'usine de Minn Kota à Mankato, au Minnesota. Tous les frais encourus pour des appels de service, de transport ou d'expédition à destination ou à partir du centre de service agréé ou de l'usine Minn Kota, de main-d'œuvre pour transporter, retirer, réinstaller ou regérer les articles retirés pour le service de garantie, ou tout autre élément similaire, sont sous la seule et unique responsabilité unique et exclusive de l'acheteur. Les articles achetés à l'extérieur des États-Unis doivent être retournés, port payé avec la preuve d'achat (y compris la date d'achat et le numéro de série), à tout centre de service agréé Minn Kota dans le pays de l'achat. Le service au titre de la garantie peut être obtenu en communiquant avec le centre de service agréé de Minn Kota ou l'usine au +1 (800) 227-6433 ou par courriel à l'adresse suivante service@minnkotamotors.com. Les produits réparés ou remplacés seront garantis pour la durée restante de la période de garantie initiale [ou pendant 90 jours à compter de la date de réparation ou de remplacement, la période la plus longue étant retenue]. Tout produit retourné aux fins de services en vertu de la garantie qui, selon JOME, n'est pas couvert par la garantie limitée ou n'y contrevient pas sera facturé pour les services rendus au taux horaire de main-d'œuvre affiché en vigueur, pour une facturation minimale d'une heure.

REMARQUE: Ne pas retourner l'article Minn Kota au détaillant. Le détaillant n'est pas autorisé à le réparer ou à le remplacer.

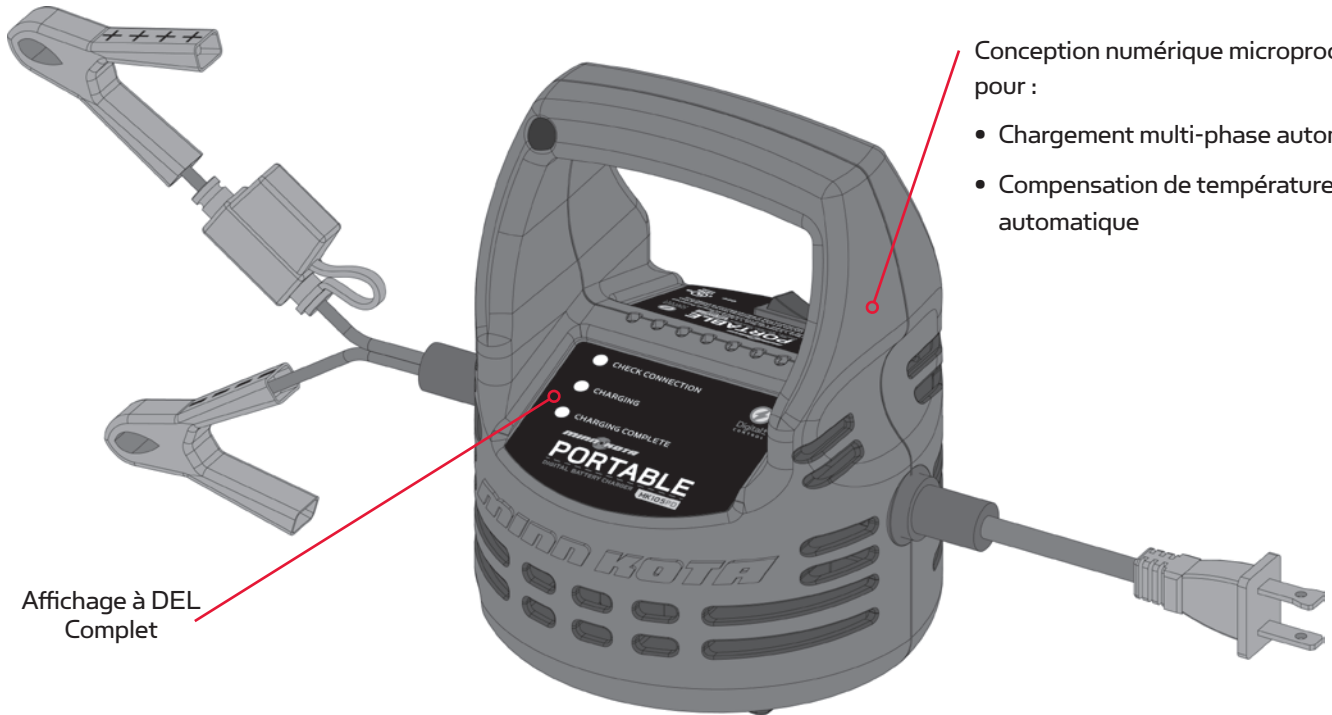
REMARQUE: II N'Y A AUCUNE GARANTIE EXPRESSE AUTRE QUE LES PRÉSENTES GARANTIES LIMITÉES. AUCUNE GARANTIE IMPLICITE, Y COMPRIS QUELQUE GARANTIE IMPLICITE DE QUALITÉ MARCHANDE OU D'ADÉQUATION À UN USAGE PARTICULIER, NE SE PROLONGERA AU-DELÀ DE LA DURÉE DE LA PRÉSENTE GARANTIE LIMITÉE EXPRESSE. JOME NE POURRA EN AUCUNE FAÇON ÊTRE TENUE RESPONSABLE DES DOMMAGES PUNITIFS, INDIRECTS, ACCESSOIRES, CONSÉCUTIFS OU PARTICULIERS. Sans limiter la portée de ce qui précède, JOME décline toute responsabilité en cas de perte d'utilisation du produit, perte de temps, d'inconvénient et d'autre dommage.

Certains états ne permettent pas de limites sur la durée d'une garantie implicite ou l'exclusion ou limitation des dommages accessoires ou indirects, donc, les limitations ou exclusions ci-dessus peuvent ne pas s'appliquer à vous. La présente garantie vous donne des droits légaux spécifiques et vous pouvez également bénéficier d'autres droits qui varient d'un État à l'autre.

REMARQUE: Il n'y a aucune pièce remplaçable à l'intérieur du chargeur.

CARACTÉRISTIQUES

MK105PD

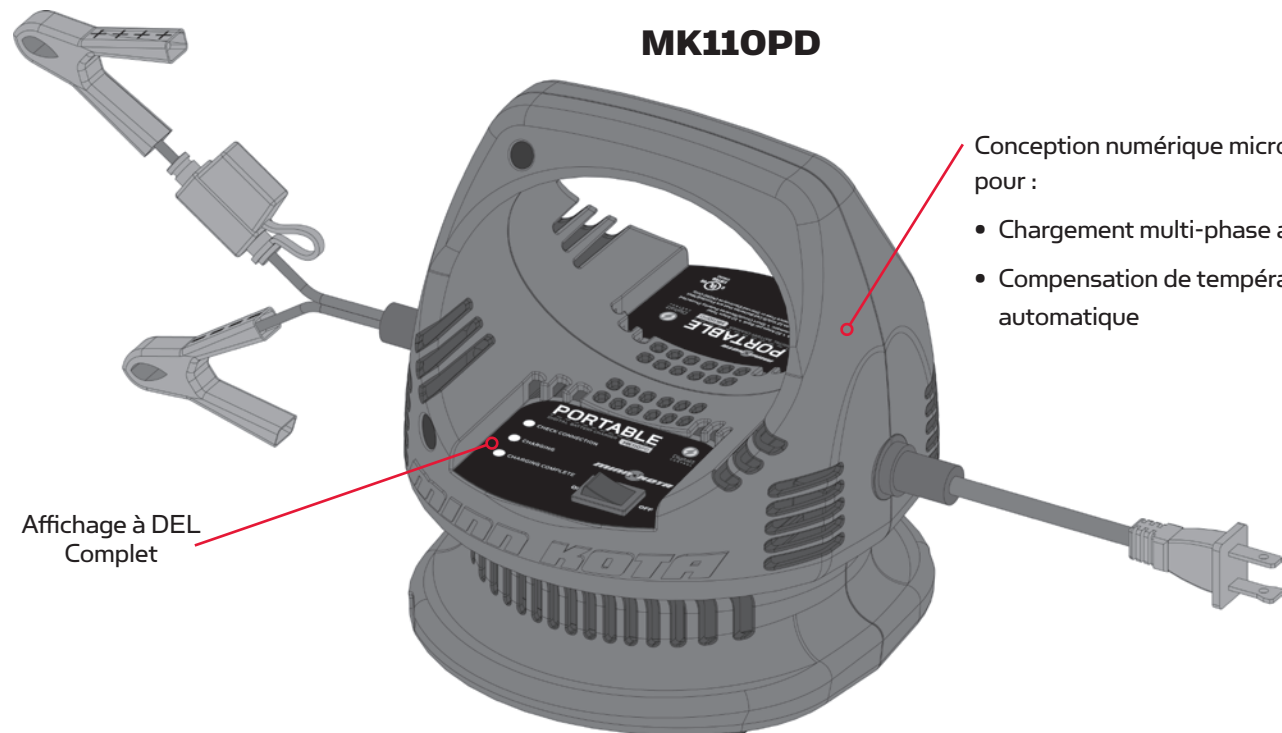


Conception numérique microprocessoriée pour :

- Chargement multi-phase automatique
- Compensation de température automatique

Affichage à DEL
Complet

MK110PD



Conception numérique microprocessoriée pour :

- Chargement multi-phase automatique
- Compensation de température automatique

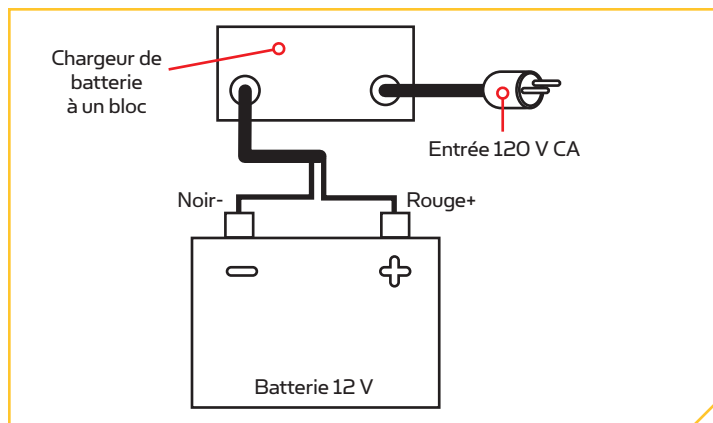
Affichage à DEL
Complet

REMARQUE: Les spécifications peuvent faire l'objet de modifications sans préavis. Ce schéma est fourni aux fins de référence seulement et peut différer de votre chargeur actuel.

MODE D'EMPLOI

VUE D'ENSEMBLE

Ceci est un chargeur de batterie haute performance qui a la capacité de bien fonctionner uniquement avec des batteries au PLOMB-ACIDE : HYDRO-ÉLECTRIQUES, SANS ENTRETIEN et AGM / À CHARGE INSUFFISANTE. Il est important de lire et de comprendre comment utiliser correctement le chargeur de batterie avant de charger des batteries.



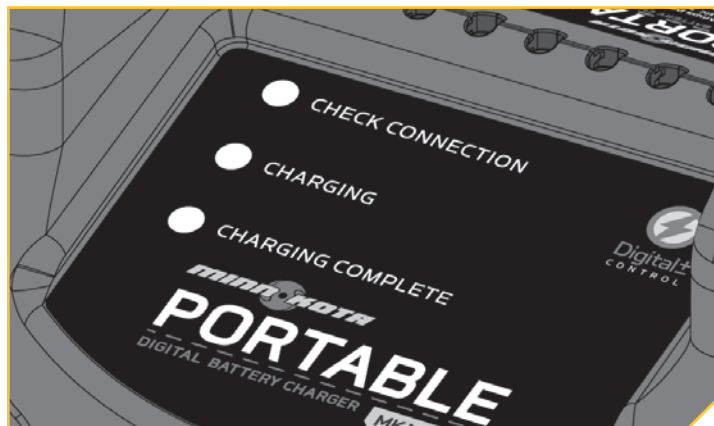
FONCTIONNEMENT GÉNÉRAL

La DEL jaune s'allumera une fois que le chargeur sera branché et que la batterie sera correctement connectée au câble de sortie. Le chargeur commencera à charger la batterie après 4 secondes. Le délai de 4 secondes est ajouté afin de permettre à l'utilisateur d'établir une bonne connexion avant la mise sous tension de la sortie du chargeur. Cela aidera à éviter les étincelles indésirables lors de la connexion de la batterie.

INDICATEURS DEL

Chaque bloc possède les DEL suivantes :

- Une DEL ROUGE fixe indique qu'il y a un problème avec une connexion.
- Une DEL ROUGE clignotante indique une erreur. Voir la section Dépannage de ce manuel.
- Une DEL JAUNE indique l'état d'avancement de la charge.
- Une DEL VERTE clignotante indique que la batterie est entièrement chargée, en mode Maintien de la charge et prête à utiliser.
- Une DEL VERTE fixe indique que la batterie est entièrement chargée, en mode Maintien de la charge à long terme et prête à utiliser.



REMARQUE: Si une DEL ROUGE est allumée, consulter la section Dépannage de ce manuel afin d'en identifier la raison et prendre les mesures correctives nécessaires pour remédier à la situation. Si vous ne parvenez pas à remédier à la situation et avez besoin d'aide, appeler le service à la clientèle de Minn Kota au 1.800.227.6433 et un représentant du soutien technique se fera un plaisir de vous aider.

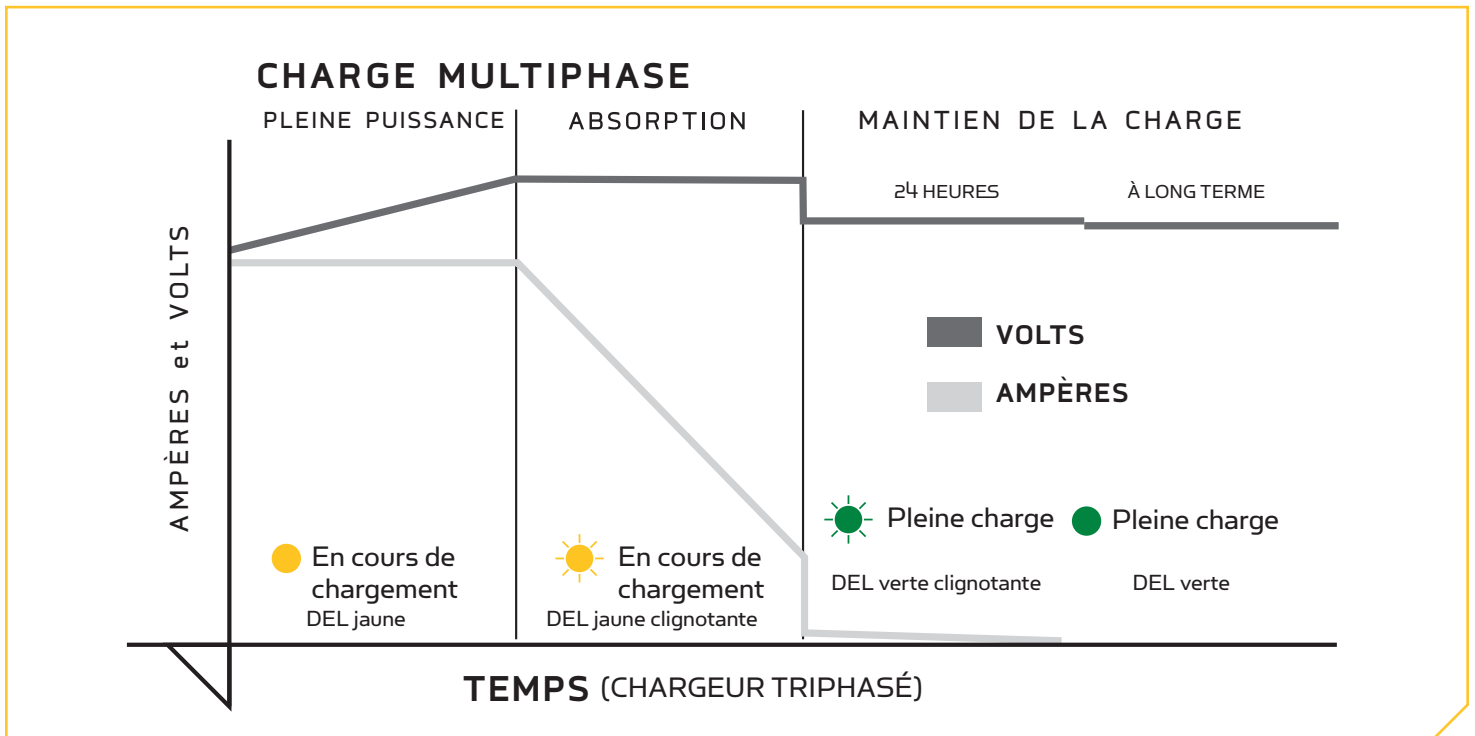
CHARGE MULTI-PHASE

La charge multi-phase de Minn Kota fournit un profil de charge rapide et précis en contrôlant automatiquement le courant et la tension sans surcharger vos batteries.

Pleine puissance : Durant cette phase, le chargeur délivre un courant maximum jusqu'à ce que la batterie atteigne environ 75 % de sa charge. Une DEL JAUNE est allumée pour indiquer que la batterie se charge en mode pleine puissance.

Absorption : La tension de charge s'atténue, alors que la tension de la batterie est maintenue à 14,4 V (à 77 °F [25 °C]). Une DEL JAUNE clignotante indique que la batterie se charge en mode absorption.

Maintien de la charge : Lorsque la batterie atteint sa pleine charge, la tension du chargeur est réduite. Une DEL VERTE clignotante s'allume pour indiquer que la batterie est en mode maintien de la charge et prête à utiliser. Le chargeur s'éteint automatiquement après 24 heures et une DEL VERTE fixe s'allume pour indiquer que la batterie est en mode maintien de la charge à long terme et prête à utiliser. Le chargeur se remet automatiquement en marche lorsque la tension de la batterie descend en dessous de 12,6 V.



DÉPANNAGE

Condition d'erreur	Solution
La DEL ROUGE est allumée. Vérifier la connexion	<ul style="list-style-type: none"> • Vérifier la polarité des câbles vers la batterie. • Vérifier les connexions à la batterie et les fusibles du cordon de sortie. • Vérifier la tension au niveau de la batterie. Le bloc ne chargera pas une batterie dont la charge est inférieure à 4 volts ou supérieure à 18 volts. • Si le chargeur ne fonctionne toujours pas, communiquer avec le service à la clientèle Minn Kota au 1 800 227-6433.
RED LED is flashing. Temperature sensor error.	<ul style="list-style-type: none"> • Réinitialiser le chargeur en débranchant le cordon d'alimentation CA. Attendre que toutes les DEL s'éteignent. • Brancher le cordon d'alimentation. • Si le chargeur ne fonctionne toujours pas, communiquer avec le service à la clientèle Minn Kota au 1 800 227-6433.
Les DEL ROUGE et VERTE clignotent. La batterie est peut-être endommagée.	<ul style="list-style-type: none"> • Vérifier si la batterie est sous charge. • Vérifier le niveau de liquide dans la batterie et en ajouter au besoin. • Si la tension de la batterie ne dépasse pas 10,5 volts en trois heures ou si la tension n'augmente pas à la tension d'absorption de 14,4 volts (à 77 °F [25 °C]), le bloc se désactivera et ne chargera pas. La batterie doit être testée. • Si le chargeur ne fonctionne toujours pas, communiquer avec le service à la clientèle Minn Kota au 1 800 227-6433.
Aucune DEL ne s'allume.	<ul style="list-style-type: none"> • Vérifier l'alimentation CA à la prise. • Vous assurer que le disjoncteur de fuite de terre pour la sortie ne s'est pas déclenché. • Si une rallonge est utilisée, vérifier l'alimentation CA à l'extrémité de la rallonge. • Si le chargeur ne fonctionne toujours pas, communiquer avec le service à la clientèle Minn Kota au 1 800 227-6433.
Le chargeur s'allume, puis s'éteint.	<ul style="list-style-type: none"> • Si une rallonge est utilisée, vérifier l'alimentation CA à l'extrémité de la rallonge. • Le calibre AWG de la rallonge est trop bas - consulter le tableau dans la section Instructions d'entretien. • Le chargeur est alimenté par une tension CA très basse. • Si le chargeur ne fonctionne toujours pas, communiquer avec le service à la clientèle Minn Kota au 1 800 227-6433.

REMARQUE : Veuillez communiquer avec le service à la clientèle pour toute autre défaillance. Nos représentants du service à la clientèle sont disponibles du lundi au vendredi, de 7 h à 16 h 30 (HNC), au 1 800 227-6433.

INSTRUCTIONS D'ENTRETIEN

ENTRETIEN GÉNÉRAL

- Vérifier s'il y a présence de saleté, d'huile, de corrosion, et autres sur le chargeur de batterie. Nettoyer la corrosion avec une solution d'eau et de bicarbonate de soude. Essuyer avec un chiffon sec propre.
- Vérifier s'il y a présence de saleté, d'huile sur les pinces de corrosion de batterie; les déconnecter ensuite des bornes de batterie et les nettoyer au besoin avec une solution d'eau et de bicarbonate de soude, les essuyer avec un chiffon sec propre.
- Afin d'éviter qu'ils ne s'endommagent, enrouler les cordons d'alimentation et de sortie quand le chargeur est rangé.
- Toujours ranger le chargeur dans un endroit propre et sec.
- Si le cordon ou la fiche d'alimentation est endommagé, vous pouvez communiquer avec le service de réparation Minn Kota pour de l'information sur le service de réparation. Sinon, éliminer le chargeur de batterie en conformité avec les lois locales. Les cordons et fiches d'alimentation endommagés peuvent provoquer un choc électrique ou une électrocution.



DANGER

Les cordons et fiches d'alimentation endommagés peuvent provoquer un choc électrique ou une électrocution.

SPÉCIFICATIONS MÉCANIQUES

Modèle	Nº de pièce	Blocs	Câble d'entrée	Câble de sortie	Dimensions Long. x Larg. x Haut.	Poids lb / kg
MK105PD	1831050	1	18 AWG - 6 po (15 cm)	16 AWG - 6 pi (1,83 m)	5 po x 7 po x 6,5 po (12,7 cm x 17,8 cm x 16,5 cm)	3,5 lb / 1,59 kg
MK110PD	1830110	1	18 AWG - 6 po (15 cm)	16 AWG - 6 pi (1,83 m)	7 po x 9 po x 7,75 po (17,8 cm x 22,9 cm x 19,7 cm)	6,5 lb / 2,95 kg

SPÉCIFICATIONS ÉLECTRIQUES

Modèle	Nº de pièce	Tension du système	Puissance de sortie par bloc (ampères)	Puissance de sortie totale (ampères)	Tension d'entrée (120 V CA, 60 Hz)	Puissance d'entrée (120 CA, 60 Hz)
MK105PD	1831050	12 volts	5 ampères	5 ampères	0,8 A	90W
MK110PD	1830110	12 volts	10 ampères	10 ampères	1,8 A	180W

FUSIBLE EN LIGNE

L'extrémité ROUGE du cordon de sortie possède un fusible en ligne. Le fusible protège contre les surtensions et courts-circuits provoqués par un câble de sortie de chargeur endommagé. Si un fusible saute, le remplacer par un fusible automobile de type ATC 32 V de 30 ampères. Les connexions de batterie inappropriées ne feront généralement pas sauter un fusible, car ceci est pris en charge par la circuiterie interne du chargeur.

FOIRE AUX QUESTIONS

1. Puis-je charger deux batteries dans un banc du chargeur?
 - Oui, mais cela est déconseillé. Charger deux batteries nécessite deux fois plus de temps et une erreur peut s'afficher si les batteries prennent trop de temps à charger.
2. Dois-je débrancher la série ou la (les) connexion(s) en parallèle de la batterie lorsque j'utilise les chargeurs de Minn Kota?
 - Non, le ou les fils de connexion de la batterie peuvent rester en place avec les deux types de câblage.

3. Quel niveau de chaleur les chargeurs de Minn Kota atteignent-ils?
 - Les chargeurs de Minn Kota peuvent atteindre 150 °F (66 °C). Ils peuvent devenir chauds dans un endroit clos. La température ambiante maximale recommandée pour charger les batteries est de 122 °F (50 °C). Si le chargeur semble devenir « chaud », ouvrez une écoutille pour aider le chargeur à refroidir. Lorsque le chargeur est chaud, le courant de sortie diminue pour protéger le chargeur et la batterie.
4. Quelle est la taille des fusibles utilisés dans les chargeurs de Minn Kota?
 - Les chargeurs dotés d'un porte-fusible jaune comportent un fusible automobile de type AGX 32 V de 30 ampères. Un fusible de type CAG peut être utilisé, mais il pourrait ne pas convenir aussi bien qu'un fusible de type AGX. Les chargeurs dotés d'un porte-fusible rouge comportent un fusible automobile de type ATC 32 V de 30 ampères.
5. Quelles batteries peuvent être chargées avec un chargeur Minn Kota?
 - Les chargeurs de Minn Kota ne chargent que les batteries au plomb-acide de 12 volts et 6 cellules. Les chargeurs Minn Kota de série D et les chargeurs portatifs Minn Kota fonctionnent bien avec les batteries au PLOMB-ACIDE : HYDRO-ÉLECTRIQUES, SANS ENTRETIEN et AGM / À CHARGE INSUFFISANTE. Les chargeurs Minn Kota de série PC optimisent le chargement des batteries au PLOMB-ACIDE : HYDRO-ÉLECTRIQUES, SANS ENTRETIEN et AGM / À CHARGE INSUFFISANTE. Il est conseillé de consulter le fabricant de votre batterie pour connaître la sortie maximale en ampères recommandée pour votre batterie. Les ampères-heures ou le classement AH de votre batterie doivent être compris dans la gamme présentée ci-dessous pour la sortie en ampères par banc du chargeur sélectionné.

Modèle	Sortie du chargeur de batterie par bloc	Classement ampères-heures de la batterie
MK105PD	5 AMPÈRES	20 à 125 AH
MK110PD	10 AMPÈRES	40 à 125 AH

6. Vais-je endommager mes batteries si je laisse le chargeur branché pendant de longues périodes de temps sans l'utiliser (comme lorsqu'il est rangé)?
 - Non. Les chargeurs Minn Kota maintiennent la tension de la batterie à 13,4 V (à 77 °F [25 °C]) pendant l'étape de « maintenance » (3e phase). Cela vous permet de laisser votre chargeur branché pendant de longues périodes de temps sans « chauffer la batterie à sec ».

REMARQUE : il est important de vérifier le niveau d'électrolytes environ tous les 30 jours. Les batteries doivent être remplies après avoir été chargées, et le niveau d'électrolytes doit être égal dans toutes les cellules et se trouver sous le niveau de remplissage dans chaque cellule. Si les plaques de batterie sont exposées avant la charge, ajoutez suffisamment d'eau pour les couvrir. Si la batterie est trop remplie avant d'être chargée, il se peut qu'elle déborde pendant la charge.

7. Puis-je charger des batteries au lithium?
 - Minn Kota n'a collaboré directement avec aucun fournisseur de batteries au lithium lui permettant de déterminer si son chargeur est compatible avec leurs batteries. La plupart des fournisseurs de batteries au lithium affichent les renseignements relatifs à l'étape de la charge sur leur site Web.
8. Les chargeurs sont-ils remplaçables?
 - Il n'y a aucune pièce remplaçable à l'intérieur du chargeur.

INSTRUCTIONS D'ENTRETIEN

9. Puis-je utiliser une génératrice portative pour faire fonctionner mon chargeur?

- Il est recommandé d'user de prudence au moment de choisir une génératrice portative à utiliser avec un appareil électronique. Deux facteurs importants sont à considérer :

La puissance de sortie : Les génératrices ont une puissance en watts. Cette puissance en watts doit être plus élevée que la puissance requise par le chargeur. Bien vouloir revoir les exigences relatives à la puissance présentées dans le manuel de l'utilisateur pour votre chargeur particulier.

Type de sortie : Les chargeurs Minn Kota nécessitent une puissance de sortie propre de la génératrice pour empêcher des dommages permanents. La génératrice doit reproduire la puissance d'une sortie CA normale dans votre maison (sortie sinusoïdale).

POUR D'AUTRES SERVICES DE DÉPANNAGE ET DE RÉPARATION

Nous offrons plusieurs options de dépannage et/ou de réparation pour le produit. Veuillez parcourir les options énumérées ci-dessous.



Foire Aux Questions

Notre site Web met à votre disposition des FAQ visant à répondre à toutes vos questions au sujet des produits Minn Kota. Veuillez visiter le site Web minnkotamotors.com puis cliquer sur « Foire aux questions » pour trouver réponse à vos questions.



Appelez-nous (pour les États-Unis et le Canada)

Nos représentants du service à la clientèle sont disponibles du lundi au vendredi, de 7 h à 16 h 30 (HNC), au 1 800 227-6433.



Envoyez-nous un Courriel

Envoyez-nous un courriel pour transmettre à notre service à la clientèle vos questions au sujet des produits Minn Kota. Pour transmettre votre question par courriel, visitez minnkotamotors.com puis cliquez sur « Soutien ».

REMARQUE : Il n'y a aucune pièce remplaçable à l'intérieur du chargeur.



Balayez le code QR pour visiter le service en ligne Minn Kota.

DÉCLARATIONS DE CONFORMITÉ

DÉCLARATION DE CONFORMITÉ ENVIRONNEMENTALE

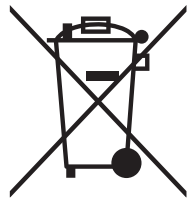
Il est dans l'intention de JOME d'être une entreprise citoyenne responsable, dont l'exploitation est conforme à la réglementation environnementale en vigueur et qui est connue pour être un bon voisin dans les collectivités où nous fabriquons ou vendons nos produits.

DIRECTIVE DEEE

La directive européenne 2002/96/CE « Directive concernant les déchets d'équipements électriques et électroniques (DEEE) » a un impact sur la plupart des distributeurs, vendeurs et fabricants d'électronique pour le grand public au sein de l'Union européenne. La directive DEEE exige que le producteur d'électronique pour le grand public prenne une part de responsabilité, en ce qui concerne la gestion des déchets de leurs produits, afin d'atteindre une élimination écologique, et ce, tout au long du cycle de vie du produit.

Il se peut que, où vous êtes, vous ne soyez pas tenu d'agir en conformité avec la DEEE pour ce qui est des équipements électriques et électroniques (EEE), et il se peut qu'il en soit de même pour les EEE conçus et destinés à être utilisés comme installations fixes ou temporaires dans des véhicules de transport tels que des automobiles, avions et bateaux. Dans certains États de l'Union européenne, ces véhicules sont réputés ne pas relever de la directive, et les EEE, pour ces applications peuvent être considérés comme exclus de l'exigence de la directive DEEE.

Ce symbole (DEEE poubelle sur roues) sur le produit indique que ce dernier ne doit pas être jeté avec les déchets domestiques. Il doit être éliminé et collecté pour le recyclage et la récupération des DEEE. Johnson Outdoors Inc. marquera tous les produits EEE en conformité avec la directive DEEE. Nous désirons nous conformer à la collecte, au traitement, à la récupération et à l'élimination écologique judicieuse de ces produits, mais ces exigences varient au sein des différents États membres de l'Union européenne. Pour de l'information supplémentaire sur l'endroit où vous pouvez éliminer les équipements usagés pour leur recyclage et leur récupération et/ou selon les exigences particulières de l'État membre de l'Union européenne, veuillez communiquer avec le détaillant ou le distributeur duquel vous avez acheté le produit.



MISE AU REBUT

Les chargeurs Minn Kota ne sont pas soumis à la réglementation concernant l'élimination VGE-VO (directive pour les dispositifs électriques) qui met en œuvre la directive DEEE. Néanmoins, ne jamais jeter votre chargeur Minn Kota dans une poubelle, mais plutôt à l'endroit de collecte approprié identifié par le conseil de ville de votre localité.

Ne jamais jeter aucune batterie à la poubelle. Se conformer aux directives d'élimination du fabricant ou de son représentant et la jeter à l'endroit approprié où s'effectue la collecte, recommandé par le conseil municipal local.



AVERTISSEMENT

Ce produit contient des produits chimiques reconnus par l'État de la Californie comme causant le cancer, des anomalies congénitales ou d'autres effets nocifs sur la reproduction.

CONFORMITÉ FCC

Cet appareil est conforme à la section 15 des règles de la FCC.

Son fonctionnement est soumis aux deux conditions suivantes :

1. Ce dispositif ne doit pas causer d'interférences nuisibles.
2. Cet appareil doit accepter toute interférence qui peut être reçue, y compris les interférences susceptibles de perturber son fonctionnement.

DÉCLARATIONS DE CONFORMITÉ

Remarque : Cet équipement a été testé et s'est avéré conforme aux limites pour un appareil numérique de classe B, conformément à la section 15 des règles de la FCC. Ces limites sont conçues pour fournir une protection raisonnable contre les interférences nuisibles dans une installation résidentielle. Cet équipement génère, utilise et peut émettre des fréquences radio et, s'il n'est pas installé et utilisé conformément aux instructions, peut causer des interférences nuisibles pour les communications radio. Il n'existe cependant aucune garantie que des interférences ne se produiront pas dans une installation donnée. Si cet équipement provoque des interférences nuisibles à la réception radio ou télévision, ce qui peut être déterminé en l'éteignant et en le rallumant, l'utilisateur est encouragé à essayer de corriger l'interférence par une ou plusieurs des mesures suivantes :

- Réorienter ou déplacer l'antenne de réception.
- Augmenter la distance entre l'équipement et le récepteur.
- Connecter l'équipement à une sortie sur un circuit différent de celui sur lequel est branché le récepteur.
- Consulter le revendeur ou un technicien radio/TV expérimenté.

CONFORMITÉ AUX NORMES D'INDUSTRIE CANADA

Ce produit est conforme aux spécifications techniques applicables d'Industrie Canada. Son fonctionnement est soumis aux deux conditions suivantes: (1) cet appareil ne peut causer d'interférences et (2) il doit tolérer toute interférence, même celle pouvant causer un fonctionnement indésirable de l'appareil.

Les changements ou les modifications non expressément approuvés par Johnson Outdoors Marine Electronics, Inc. Peuvent annuler l'autorisation de l'utilisateur de faire fonctionner cet équipement.

COTES ENVIRONNEMENTALES

Température ambiante de fonctionnement : -10 à 50 °C

Humidité ambiante de fonctionnement : 5 à 95 %

Altitude maximale de fonctionnement : 10 000 pieds (3 048 mètres)

SCHÉMA DES PIÈCES ET LISTE DES PIÈCES

MK105PD

Cette page fournit les consignes d'élimination Minn Kota® en conformité avec la directive DEEE. Le chargeur ne peut être démonté, mais il est possible de couper et de retirer les cordons. Pour de l'information supplémentaire sur l'endroit où vous pouvez éliminer les équipements usagés pour leur recyclage et leur récupération et/ou selon les exigences particulières de l'État membre de l'Union européenne, veuillez communiquer avec le détaillant ou le distributeur duquel vous avez acheté le produit.

Liste non exhaustive des outils requis : coupe-fils.

Schéma des Pièces

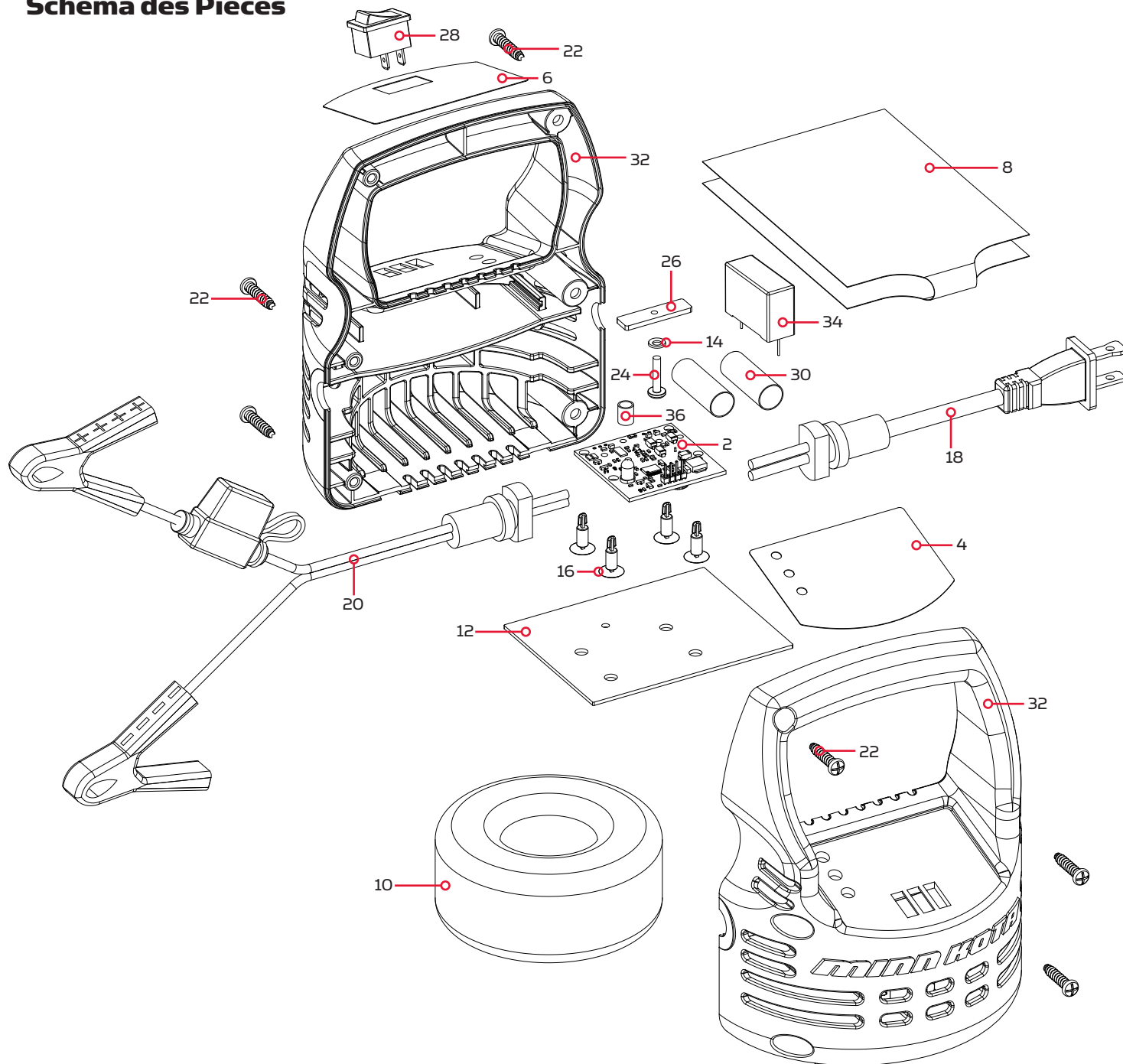


SCHÉMA DES PIÈCES ET LISTE DES PIÈCES

Liste des Pièces

Nº d'article	Nº de pièce	escription	Quantité
▲	✘	POST CARD, REGISTRATION	1
▲	✘	MANUAL,MK110PD & MK105PD	1
2	✘	CTRL BOARD, PORT.DIGITAL CHRGR	1
4	✘	DECAL-FRONT, MK105PD	1
6	✘	DECAL-BACK, MK105PD	1
8	✘	LABEL-WARNING, MK105PD	1
10	✘	TRANSFORMER, MK105PD	1
12	✘	HEAT SINK, MK105PD	1
14	✘	WASHER-BELLEVILLE,3MM	1
16	✘	STAND-OFF,MK105P CHRGR,15MM	4
18	✘	CORD-INPUT,PORTABLE CHRGR,SJT	1
20	✘	CORD-OUTPUT,MK105P W/FUSE HLDR	1
22	✘	SCREW M4 X 18MM TYPE BT BZPS	6
24	✘	SCREW-T-BAR M3.5 X 15 MM	1
26	✘	T-BAR 30 X 8 X 2MM	1
28	✘	SWITCH, PORTABLE CHARGER	1
30	✘	BOOT-SILICONE 11 X 26MM	2
32	✘	HOUSING,MK105P PORTABLE CHRGR	2
34	✘	EMI FILTER,CHRGRS,1.0 UF	1
36	✘	BOARD WIRE INSULATION	1

✘ Cette pièce ne peut être commandée seule.

▲ Non illustré(e) sur le schéma des pièces.

MK110PD

Cette page fournit les consignes d'élimination Minn Kota® en conformité avec la directive DEEE. Le chargeur ne peut être démonté, mais il est possible de couper et de retirer les cordons. Pour de l'information supplémentaire sur l'endroit où vous pouvez éliminer les équipements usagés pour leur recyclage et leur récupération et/ou selon les exigences particulières de l'État membre de l'Union européenne, veuillez communiquer avec le détaillant ou le distributeur duquel vous avez acheté le produit.

Liste non exhaustive des outils requis : coupe-fils.

Schéma des Pièces

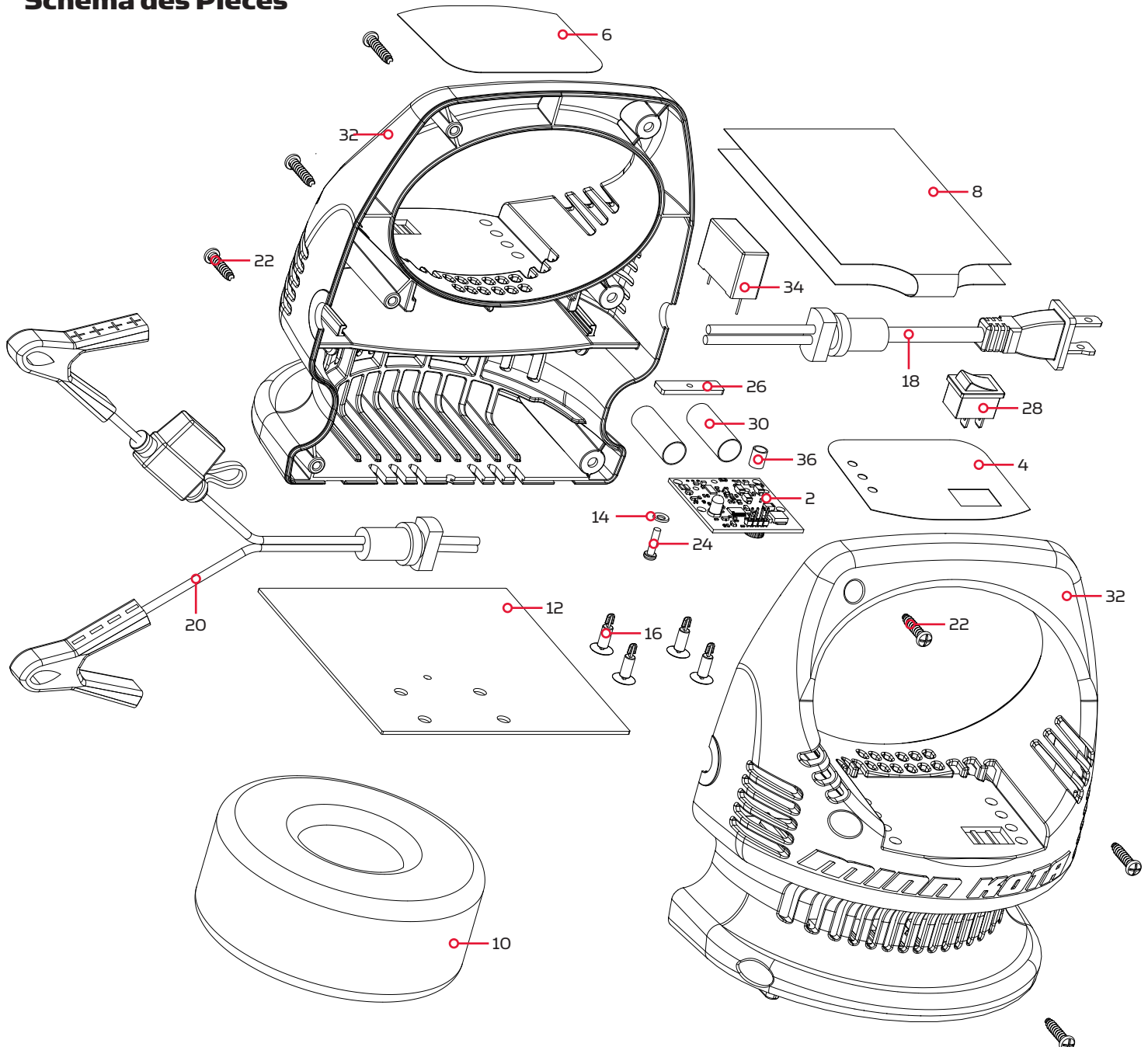


SCHÉMA DES PIÈCES ET LISTE DES PIÈCES

Liste des Pièces

Nº d'article	Nº de pièce	Description	Quantité
▲	✘	POST CARD, REGISTRATION	1
▲	✘	MANUAL, MK110PD & MK105PD	1
2	✘	CTRL BOARD, PORT.DIGITAL CHRGR	1
4	✘	DECAL-FRONT, MK110PD	1
6	✘	DECAL-BACK, MK110PD	1
8	✘	LABEL-WARNING, MK110PD	1
10	✘	TRANSFORMER, MK110PD	1
12	✘	HEAT SINK, MK110PD	1
14	✘	WASHER-BELLEVILLE, 3MM	1
16	✘	STAND OFF, PORTABLE CHARGER	4
18	✘	CORD-INPUT, PORTABLE CHRGR, SJT	1
20	✘	CORD-OUTPUT, MK110P W/FUSE HLDR	1
22	✘	SCREW M4 X 18MM TYPE BT BZPS	6
24	✘	SCREW-T-BAR, M3	1
26	✘	T-BAR 30 X 8 X 2MM	1
28	✘	SWITCH, PORTABLE CHARGER	1
30	✘	BOOT-SILICONE 11 X 26MM	2
32	✘	HOUSING, PORTABLE CHARGER	2
34	✘	EMI FILTER, CHRGRS, 1.0 UF	1
36	✘	BOARD WIRE INSULATION	1

✘ Cette pièce ne peut être commandée seule.

▲ Non illustré(e) sur le schéma des pièces.

REMARQUES

ACCESSOIRES RECOMMANDÉS

ANCRE POUR EAUX PEU PROFONDES TALON

Les ancrs Talon se déploient rapidement, ont une force de retenue plus élevée et sont plus silencieuses que tout autre ancre pour eaux peu profondes. Offerts en profondeurs allant jusqu'à 12 pi (3,66 m) et en options de couleurs vives, elles comportent plusieurs fonctionnalités et innovations uniques dans le domaine:



- Déploiement Vertical en Plusieurs Étapes
- Modes D'ancrage Pouvant être Sélectionnés par L'utilisateur
- 2x la Force d'ancrage
- Déploiement Rapide
- Descente/Montée Automatique
- Triple Protection Contre les Débris
- Amortisseur Automatique de Vague Intégré
- Dissipation de Bruit
- Réglages Polyvalents

ACCESSOIRES MINN KOTA

Nous offrons un large éventail d'accessoires pour les propulseurs électriques, y compris:



- Un Disjoncteur de 60 A
- Des Supports de Montage
- Des Ensembles Stabilisateur
- Des Rallonges de Poignée
- Des connecteurs de batterie
- Bacs à Batterie
- Des fiches de connexion rapide

Pour la liste complète des accessoires Minn Kota, veuillez visiter le site Web minnkotamotors.com

Suivez-nous:



minnkotamotors.com

Minn Kota Consumer & Technical Service
Johnson Outdoors Marine Electronics, Inc.
PO Box 8129
Mankato, MN 56001

121 Power Drive
Mankato, MN 56001
Phone (800) 227-6433
Fax (800) 527-4464



©2017 Johnson Outdoors Marine Electronics, Inc.
All rights reserved.