

# **TERROVA**

## **BOW-MOUNT TROLLING MOTOR**

**Installation Instructions**

# INTRODUCTION

## THANK YOU

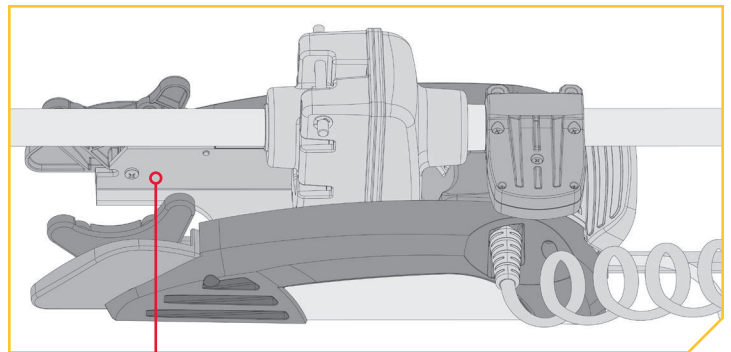
Thank you for choosing Minn Kota. We believe that you should spend more time fishing and less time positioning your boat. That's why we build the smartest, toughest, most intuitive trolling motors on the water. Every aspect of a Minn Kota trolling motor is thought out and rethought until it's good enough to bear our name. Countless hours of research and testing provide you the Minn Kota advantage that can truly take you "Anywhere. Anytime." We don't believe in shortcuts. We are Minn Kota. And we are never done helping you catch more fish.

## REGISTRATION

Remember to keep your receipt and immediately register your trolling motor. A registration card is included with your motor or you can complete registration on our website at [minnkotamotors.com](http://minnkotamotors.com).

## SERIAL NUMBER

Your Minn Kota 11-character serial number is very important. It helps to determine the specific model and year of manufacture. When contacting Consumer Service or registering your product, you will need to know your product's serial number. We recommend that you write the serial number down so that you have it available for future reference.



**NOTICE:** The serial number on your Terrova is located inside the mount below the motor rests.

## MOTOR INFORMATION (For Consumer Reference Only)

Model: \_\_\_\_\_

Serial Number: \_\_\_\_\_

Purchase Date: \_\_\_\_\_

Store Where Purchased: \_\_\_\_\_

**NOTICE:** Do not return your Minn Kota motor to your retailer. Your retailer is not authorized to repair or replace this unit. You may obtain service by: calling Minn Kota at (800) 227-6433; returning your motor to the Minn Kota Factory Service Center; sending or taking your motor to any Minn Kota authorized service center. A list of authorized service centers is available on our website, at [minnkotamotors.com](http://minnkotamotors.com). Please include proof of purchase, serial number and purchase date for warranty service with any of the above options.



# SAFETY CONSIDERATIONS

Please thoroughly read the user manual. Follow all instructions and heed all safety and cautionary notices. Use of this motor is only permitted for persons that have read and understood these user instructions. Minors may use this motor only under adult supervision.

## **WARNING**

You are responsible for the safe and prudent operation of your vessel. We have designed your Minn Kota product to be an accurate and reliable tool that will enhance boat operation and improve your ability to catch fish. This product does not relieve you from the responsibility for safe operation of your boat. You must avoid hazards to navigation and always maintain a permanent watch so you can respond to situations as they develop. You must always be prepared to regain manual control of your boat. Learn to operate your Minn Kota product in an area free from hazards and obstacles.

## **WARNING**

Never run the motor out of the water, as this may result in injuries from the rotating propeller. The motor should be disconnected from the power source when it is not in use or is off the water. When connecting the power-supply cables of the motor to the battery, ensure that they are not kinked or subject to chafe and route them in such a way that persons cannot trip over them. Before using the motor make sure that the insulation of the power cables is not damaged. Disregarding these safety precautions may result in electric shorts of battery(s) and/or motor. Always disconnect motor from battery(s) before cleaning or checking the propeller. Avoid submerging the complete motor as water may enter the lower unit through control head and shaft. If the motor is used while water is present in the lower unit considerable damage to the motor can occur. This damage will not be covered by warranty.

## **WARNING**

Take care that neither you nor other persons approach the turning propeller too closely, neither with body parts nor with objects. The motor is powerful and may endanger or injure you or others. While the motor is running watch out for persons swimming and for floating objects. Persons who lack the ability to run the motor or whose reactions are impaired by alcohol, drugs, medication, or other substances are not permitted to use this motor. This motor is not suitable for use in strong currents. The constant noise pressure level of the motor during use is less than 70dB(A). The overall vibration level does not exceed 2,5 m/sec<sup>2</sup>.

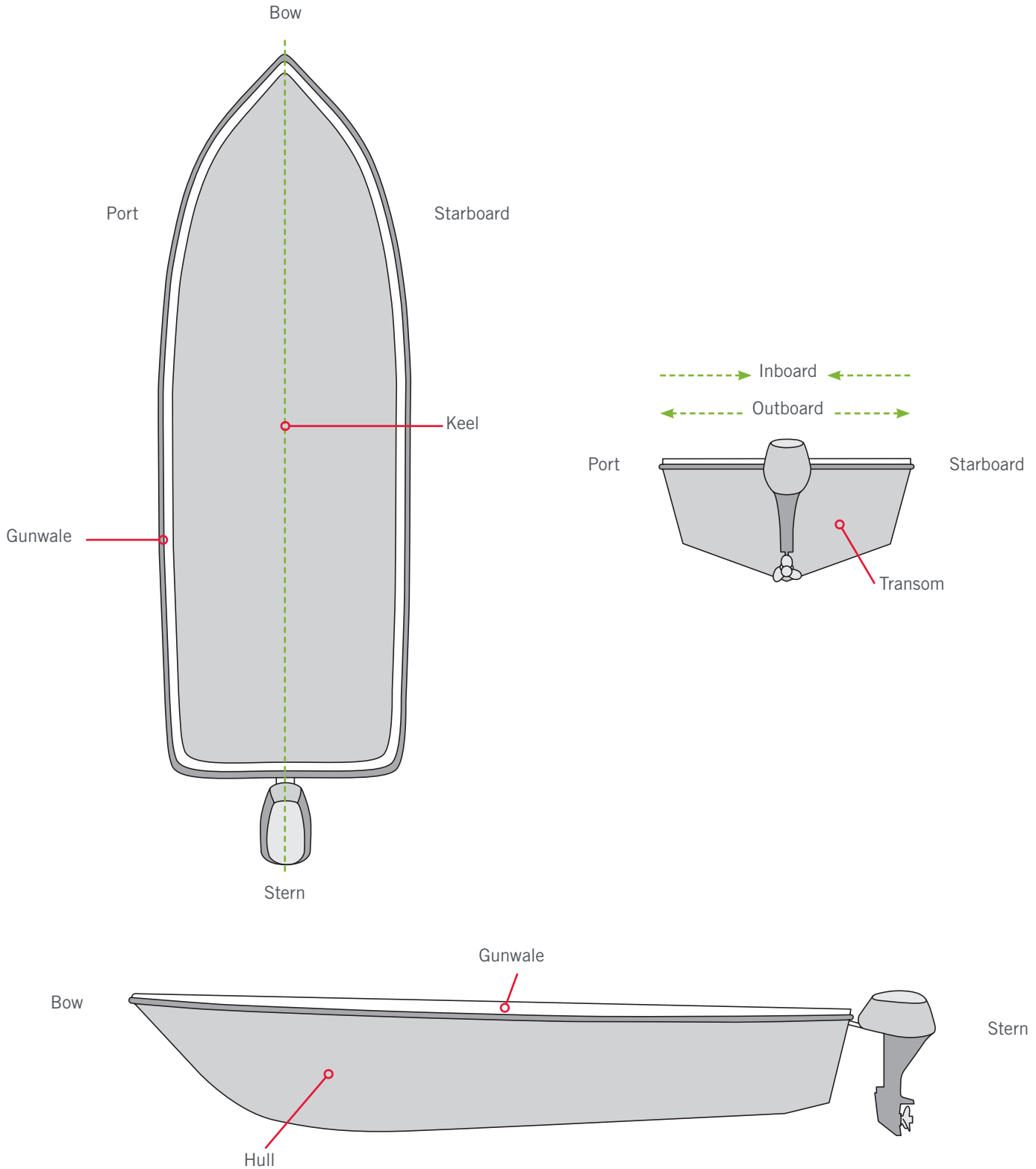
## **WARNING**

When stowing or deploying the motor, keep fingers clear of all hinge and pivot points and all moving parts. In the event of unexpected operation, remove power leads from the battery.

## **WARNING**

It is recommended to only use Johnson Outdoors approved accessories with your Minn Kota motor. Using non-approved accessories including to mount or control your motor may cause damage, unexpected motor operation and injury. Be sure to use the product and approved accessories, including remotes, safely and in the manner directed to avoid accidental or unexpected motor operation. Keep all factory installed parts in place including motor and accessory covers, enclosures and guards.

# KNOW YOUR BOAT



# INSTALLATION

## INSTALLING THE TERROVA

Your new Terrova comes with everything you'll need to directly install it to the boat. This motor can be directly mounted to the boat or coupled with a Minn Kota quick release bracket for ease of mounting and removal. For installation with a quick release bracket, refer to the installation instructions provided with the bracket. For compatible quick release mounting brackets and to locate your nearest dealer, visit [minnkotamotors.com](http://minnkotamotors.com). To install the motor directly to the boat, please follow the instructions provided in this manual. Please review the parts list, mounting considerations and tools needed for installation prior to getting started. For additional product support, please visit [minnkotamotors.com](http://minnkotamotors.com).

### INSTALLATION PARTS LIST

Item / Assembly	Part #	Description	Qty.
AA	2994864	BAG ASSEMBLY - (BOLT, NUT, WASHERS)	1
1	2263462	BOLT-MOUNTING-1/4X2 W/STG	6
2	2261713	WASHER-1/4	6
3	2263103	NUT NYLOK 1/4-20 MTG	6
4	2301720	WASHER-MOUNTING RUBBER	6
5	✘	MOTOR ASSEMBLY	1
6	2390800 ◆●	LANYARD, REMOTE W/ CARABEENER	1
7	2994075 ◆	REMOTE ASY, IPILOT	1
▲	2397106 ◆	MANUAL, QUICK REF., IPILOT 1.6	1
8	2994076 ●	REMOTE ASSEMBLY LINK TOUCHSCREEN	1
9	2373241 ●	CABLE, USB REMOTE CHARGER LINK	1
10	2375901 ●	ADAPTER, USB DC POWER LINK	1
11	2996400 ◆●	HEADING SENSOR ASSEMBLY	1
12	490389-1 ●	CABLE, ETH (M12-M-M12-F, 30'	1
13	2211415 +	CABLE-EXTENSION, PD/AP 110" *PRE-INSTALLED*	1
	490507-1 →	CABLE, ADP-INT MDI 14 M12-120" *PRE-INSTALLED*	1
14	2092600	PIN-DRIVE 1.06" LG (SS)	1
	2262658	PIN-DRIVE 1" X 3/16" S/S	1
15	2151726	WASHER-5/16 STD (S/S)	1
	2091701	WASHER-PROP (LARGE)	1
16	2053101	NUT-PROP,NYLOC (MED) 5/16 SS	1
	2093101	NUT-PROP,NYLOC,LG, 3/8 SS	1
17	2091160	PROP-WW2 (3-5/8") REAMED	1
	2341160	PROP-WW2 (4.5) W/ADP.RING	1
	2331160	PROP-WW2 (4") W/ADP.RING	1
BB	1378131	PROP IND 2091160 W/LS WDG II	1
CC	1378160	PROP KIT 2341160 112# WW2	1
DD	1378132	PROP IND 2331160 W/LS WDG II	1
EE	2994722	FT PED ASY, TRV, W/SPOT LCK	1
FF	2994859	BAG, ASY-TERROVA/V2, RUB BUMPERS	1
18	2325110	PAD, FOOT PEDAL	5
▲	2327132	INSTALLATION INSTRUCTIONS TERROVA	1
▲	2397107 ●	MANUAL, QUICK REF., IPILOT LINK 3.0	1

▲ Not shown on Parts Diagram.

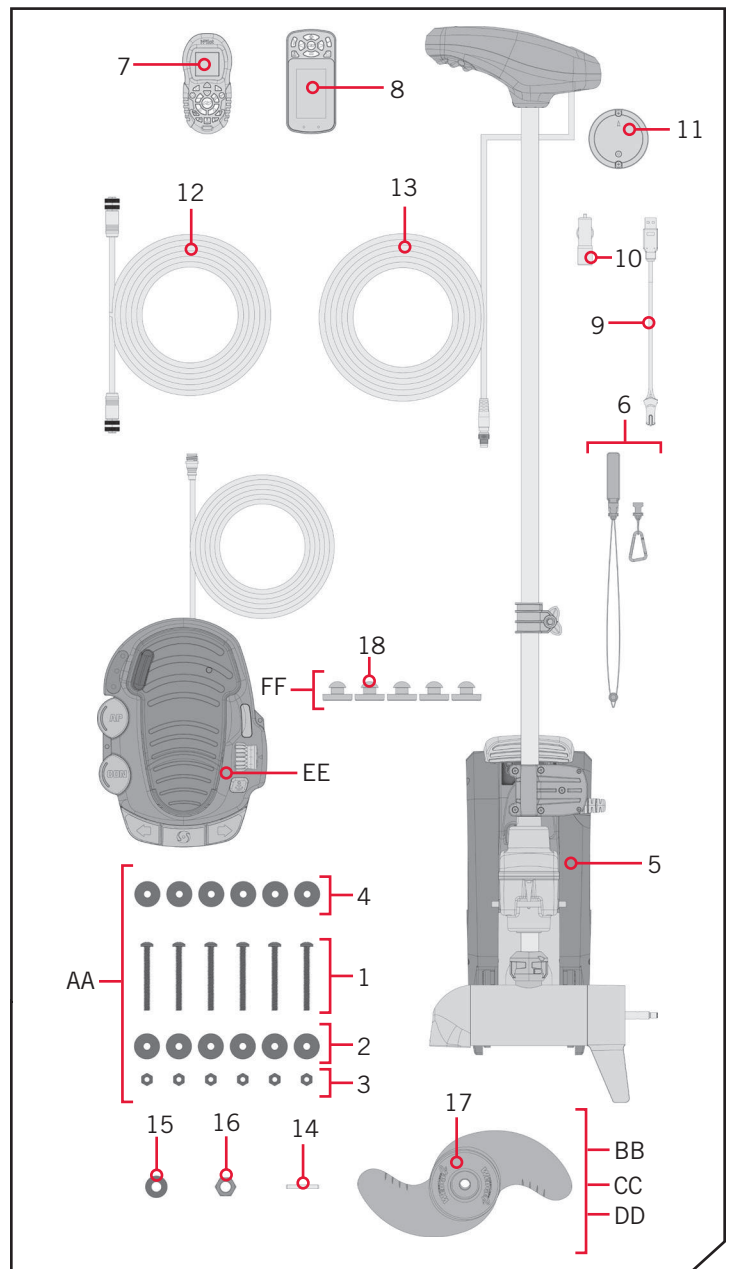
✘ This part is included in an assembly and cannot be ordered individually.

◆ Only available with models factory installed with i-Pilot.

● Only available with models factory installed with i-Pilot Link.

+ Only available with models factory installed with Universal Sonar.

→ Only available with models factory installed with Built-in MEGA Down Imaging.



# INSTALLING THE TERROVA

## MOUNTING CONSIDERATIONS

It is recommended that the motor be mounted as close to the centerline of the boat as possible. Make sure the area under the mounting location is clear to drill holes and install nuts and washers. Make sure the motor rest is positioned far enough beyond the edge of the boat. The motor must not encounter any obstructions as it is lowered into the water or raised into the boat when stowed and deployed. Consider a quick release or adapter bracket with the installation of your motor. To view a list of accessories, please visit [minnkotamotors.com](http://minnkotamotors.com).



View accessories available for your trolling motor at [minnkotamotors.com](http://minnkotamotors.com).

## TOOLS AND RESOURCES REQUIRED

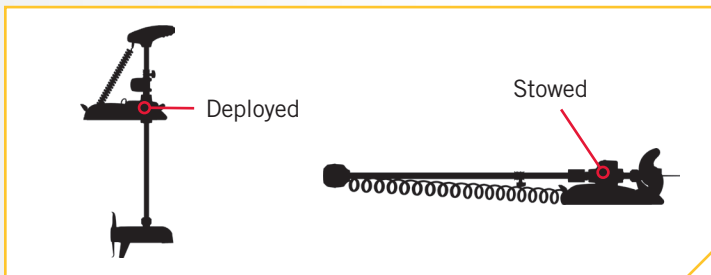
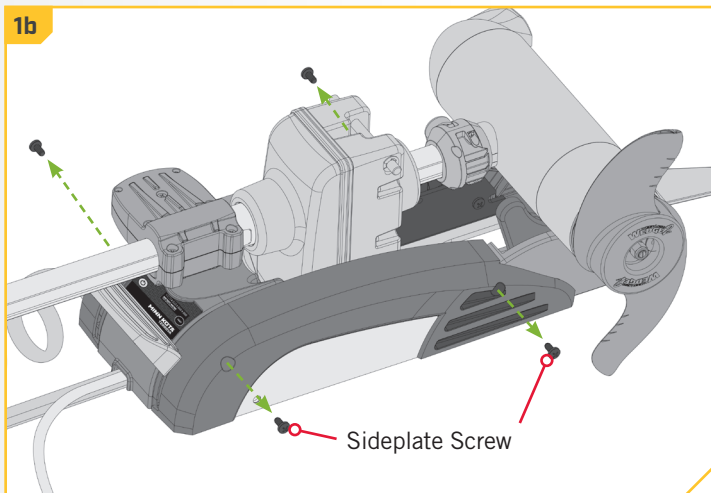
- #3 Phillips Screw Driver
- Drill
- 9/32" Drill Bit
- 7/16" Box End Wrench
- A second person to help with the installation

## INSTALLATION

### INSTALLING THE TERROVA

1. a. Place the mount on an elevated, level surface such as a workbench or the tailgate of a pickup. The motor, as removed from the box, should be in the stowed position.  
b. Remove the four sideplate screws using a #3 Phillips screwdriver. Two of these screws will be located on each side of the mount.

**NOTICE:** This motor weighs approximately 65lbs. We recommend having a second person help with the installation.

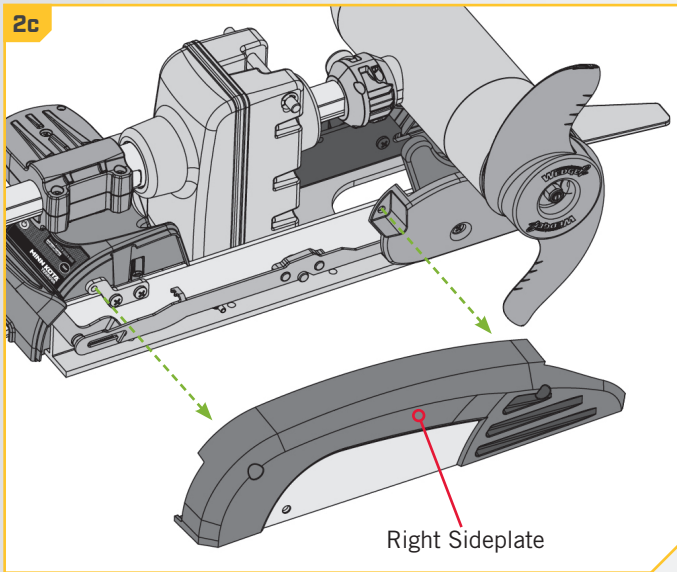


## INSTALLING THE TERROVA

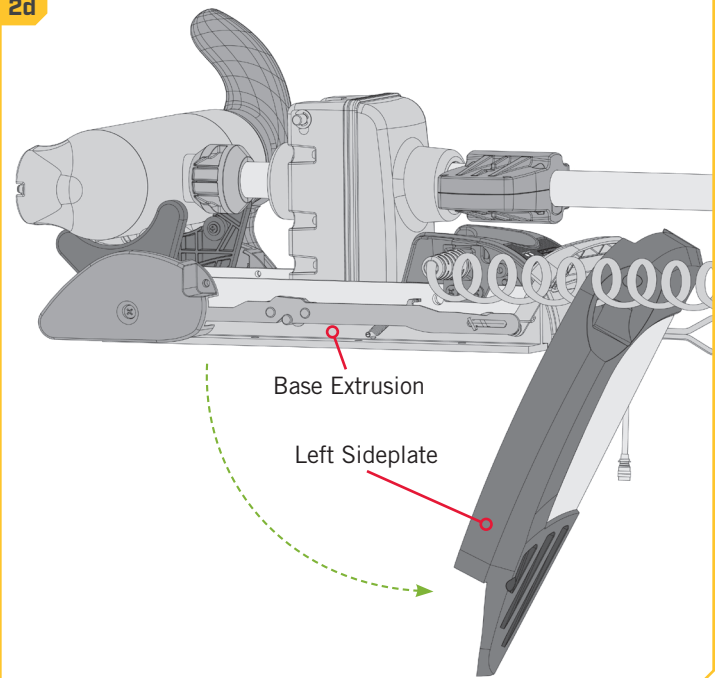
2

- c. Remove the Right Sideplate.
- d. Swing the Left Sideplate out and away from the Base Extrusion.

2c



2d



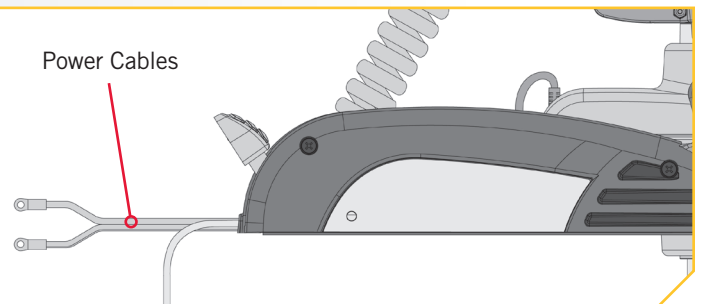
3

- e. Make sure that the Power Cables from the battery are disconnected, or that the breaker, if equipped, is "off".

### **WARNING**

Make sure the motor is mounted on a level surface and is not connected to a power source.

Power Cables

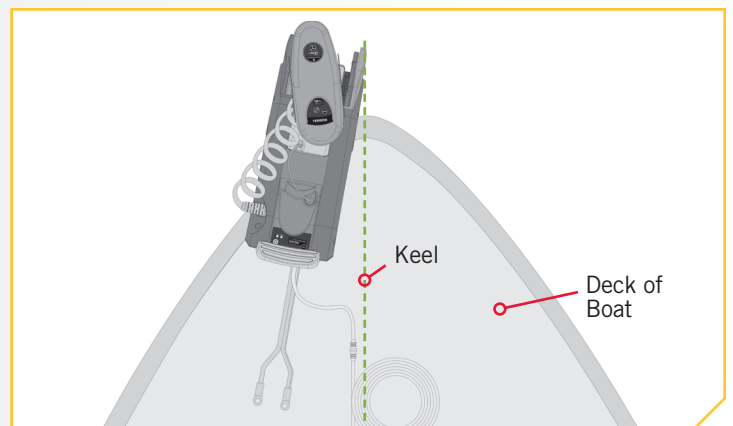


4

- f. Place the mount as close to the centerline or keel of the boat as possible. The motor can be installed on either the Port or Starboard side of the boat based on personal preference. Check placement with the motor in the stowed and deployed positions. Review the mounting considerations at the beginning of the installation.

Keel

Deck of Boat



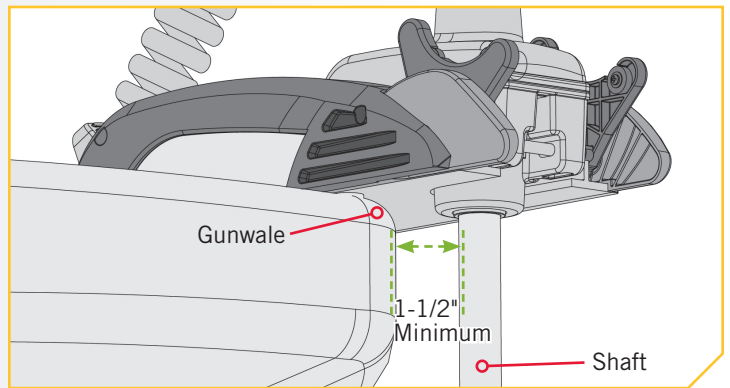
# INSTALLING THE TERROVA

## 5

### ITEM(S) NEEDED

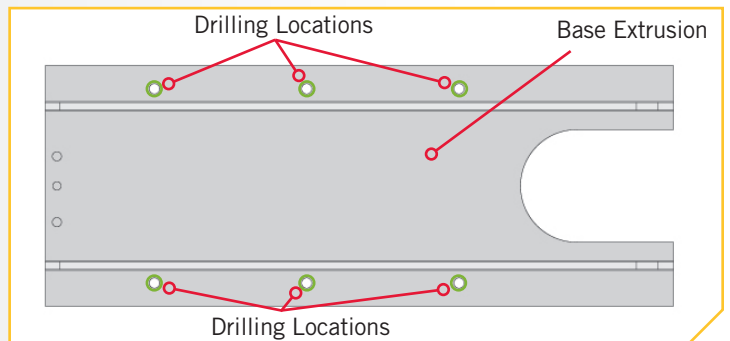
- #4 x 6

- g. When the motor is in the deployed position, make sure that the Shaft is 1-1/2" out past the Gunwale of the boat. The lower unit, when stowed and deployed must not encounter any obstructions.
- h. Check to be sure that the mount is level. Use the Rubber Washers (Item #4) provided to create a level surface if necessary.



## 6

- i. It is recommended to mark at least 4 of the 6 holes in the Base Extrusion and to have a minimum of two bolts on each side that are located the farthest apart. Ideal installation would allow for 6 bolts to be used, with a minimum of 4.
- j. Drill through the deck of the boat using a 9/32" Drill Bit on the marked locations.





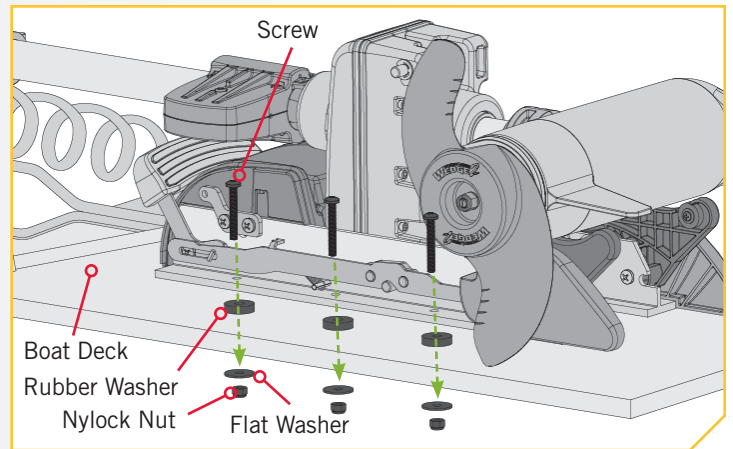
## 7

### ITEM(S) NEEDED

- #2 x 6
- | #1 x 6
- #3 x 6
- #4 x 6

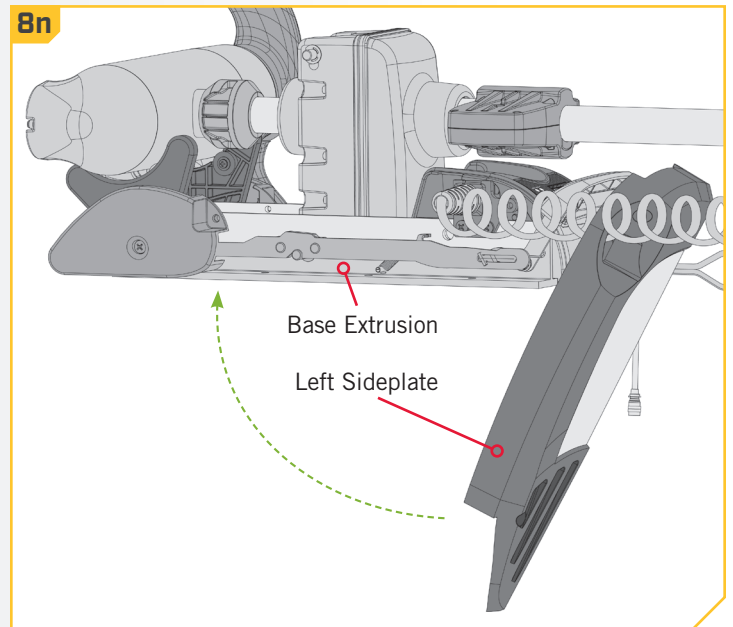
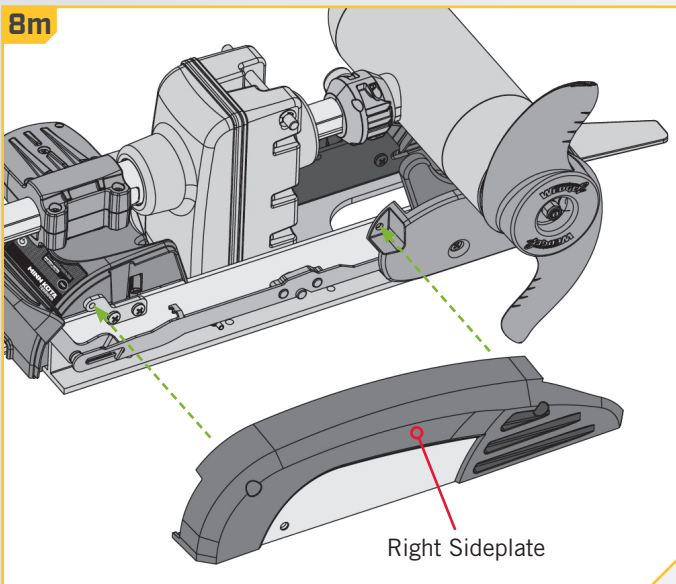
- k. Put a 1/4-20 x 2" (Item #1) screw in each of the drilled locations. The screw should pass through the Base Extrusion and the boat deck. If the rubber washers (Item #4) are used, they should sit between the Base Extrusion and boat deck. Make sure to secure the motor with screws on each side of the Base Extrusion.
- l. Place a Flat Washer (Item #2) and then a Nylock Nut (Item #3) at the end of each screw as shown and secure. Make sure all hardware is secure.

**NOTICE:** To prevent seizing of the stainless steel hardware, do not use high speed installation tools. Wetting the screws or applying an anti-seize may help prevent seizing.



## 8

- m. Replace the Right Sideplate.
- n. Swing the Left Sideplate back into its correct position on the Base Extrusion.

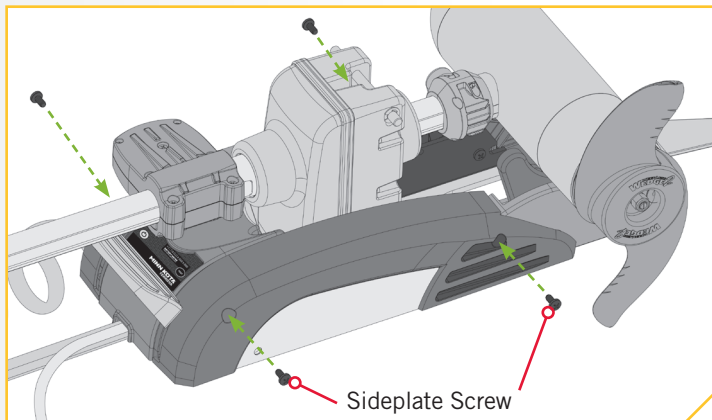




# INSTALLING THE TERROVA

9

- o. Replace the four sideplate screws using a #3 or #2 Phillips screwdriver. Two of these screws will be located on each side of the mount.



10

## ITEM(S) NEEDED

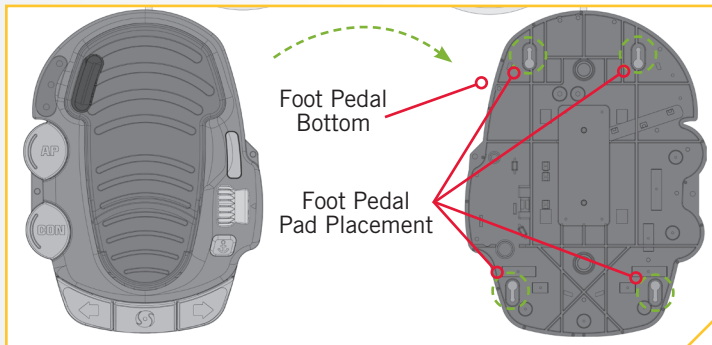
 #18 x 5



#EE x 1

- p. Take the Foot Pedal (Item #EE) and turn it over. Put a Foot Pedal Pad (Item #18) in each of the pad locations.

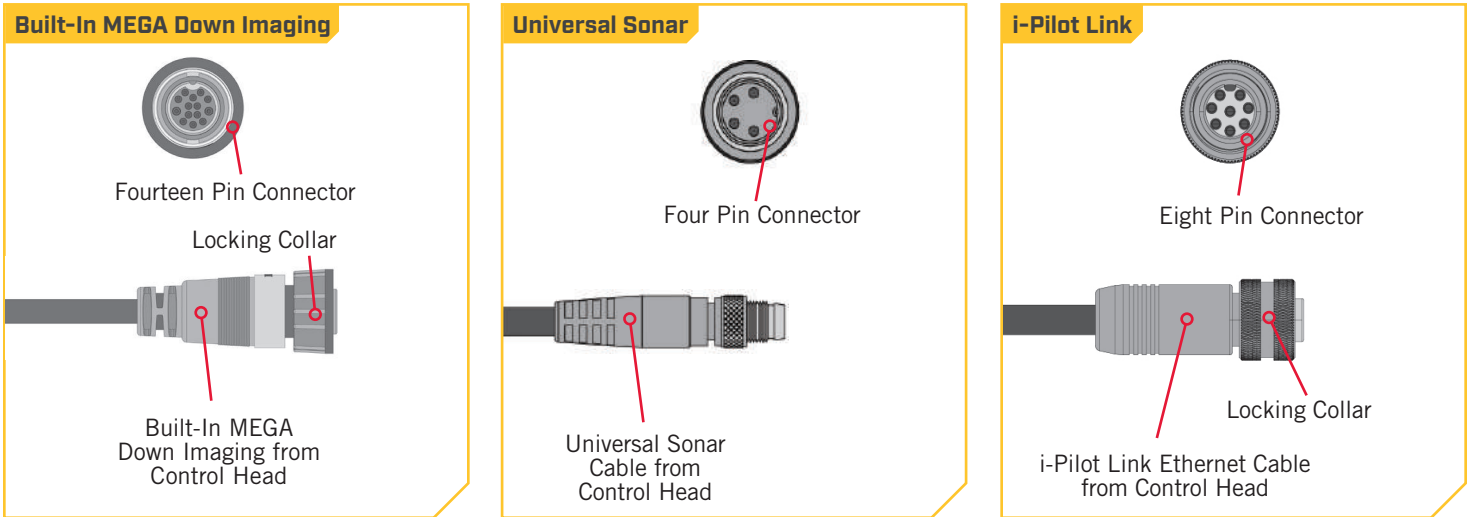
**NOTICE:** The pads are recommended when using the Foot Pedal on non-carpeted surfaces.



# IDENTIFYING TROLLING MOTOR FEATURES BY THEIR ASSOCIATED CABLES

## IDENTIFYING TROLLING MOTOR FEATURES BY THEIR ASSOCIATED CABLES

Your trolling motor may be pre-installed with Built-In MEGA Down Imaging OR Universal Sonar, and may include i-Pilot Link. All of these features require cables to be connected to an output device. These connections are present on the trolling motor and have cables that exit below the Control Head. To better identify cables present, refer to the diagrams below that detail what the Built-In MEGA Down Imaging, Universal Sonar and i-Pilot Link cable connectors look like.



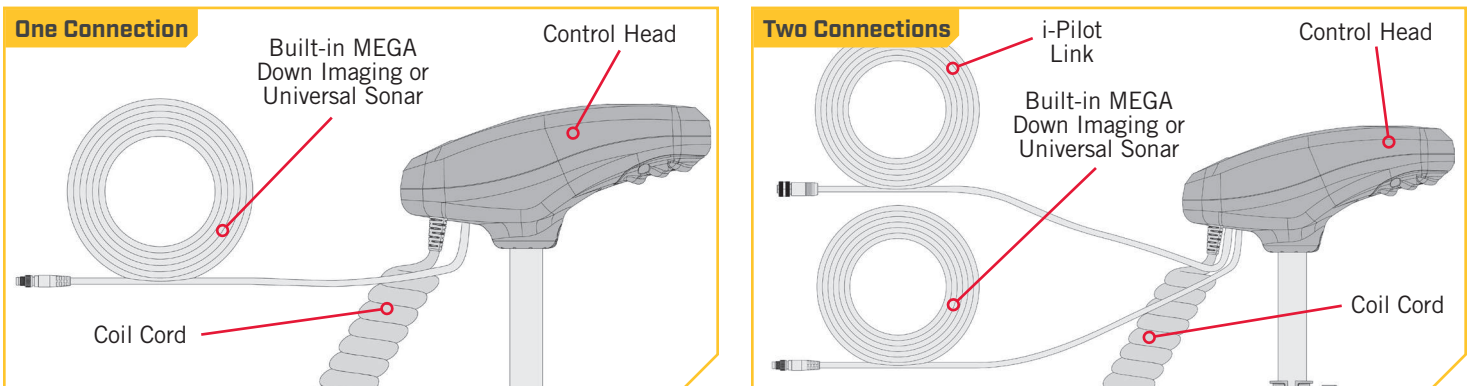
If **one** connection below the Control Head is present, the motor may be equipped with:

1. i-Pilot and Universal Sonar,
2. i-Pilot and Built-in MEGA Down Imaging,
3. ONLY Universal Sonar, or
4. ONLY Built-in MEGA Down Imaging.

**NOTICE:** The i-Pilot system does not have an external wired connection.

If **two** connections below the Control Head are present, the motor may be equipped with either:

1. i-Pilot Link and Universal Sonar or
2. i-Pilot Link and Built-in MEGA Down Imaging



## ROUTING CONNECTION CABLES

Please follow these instructions for routing any and all of the cables present for any of the pre-installed features that may come with your trolling motor. This routing should be followed whether there are one or two connection cables present. If you are unsure of the cables present, please review the "Identifying Trolling Motor Features By Their Associated Cables" section of these Installation Instructions.

# ROUTING CONNECTION CABLES

1

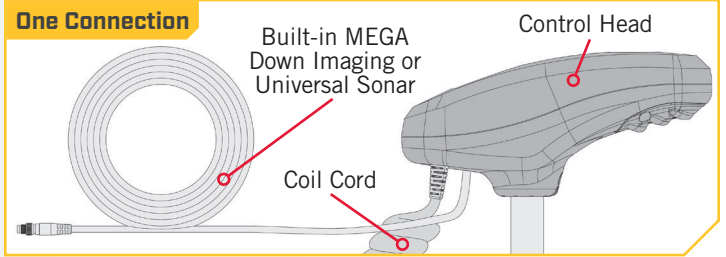
- a. Place the motor in the deployed position.
- b. Locate the Built-in MEGA Down Imaging, i-Pilot Link and/or Universal Sonar cable(s), at the base of the Control Head.

## CAUTION

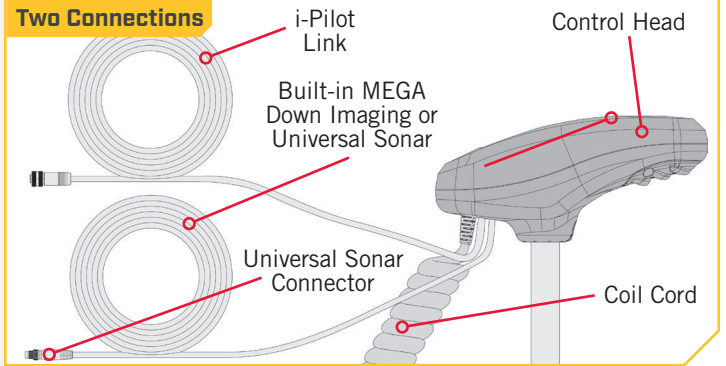
Not following the recommended wire routing for the Built-in MEGA Down Imaging, i-Pilot Link and/or Universal Sonar cable(s), if equipped, may cause damage to the product and void your product warranty. Route cables away from pinch points or other areas that may cause them to bend in sharp angles. Routing the cables in any way other than directed may cause damage to the cables by being pinched or severed.

**NOTICE:** Universal Sonar connector shown for illustration purposes.

### One Connection



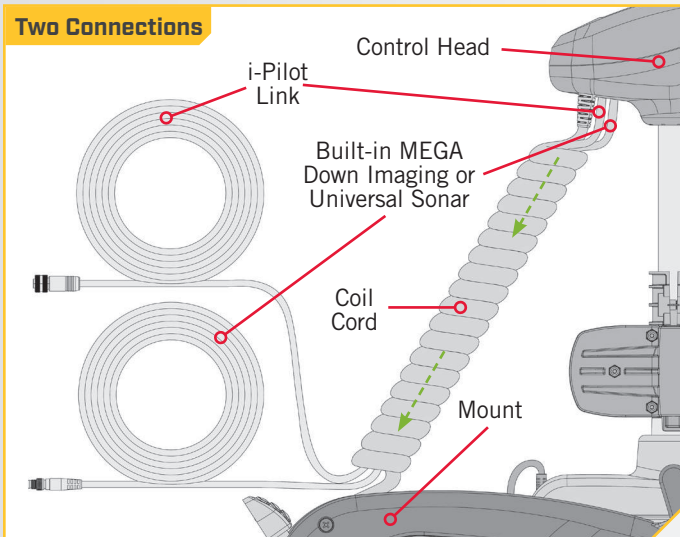
### Two Connections



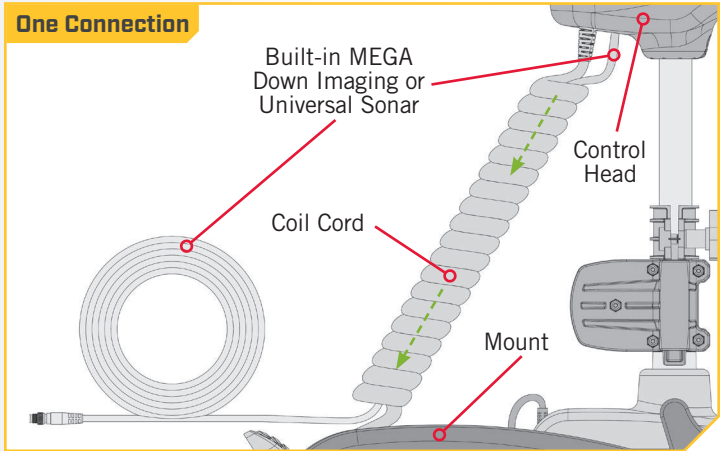
2

- c. The cable(s) should be fed all the way through the Coil Cord. It/they should exit the Coil Cord at the bottom of the Coil Cord, where it connects to the Mount.

### Two Connections



### One Connection



**NOTICE:** After the cable(s) exit(s) the Coil Cord, it/they should be routed through an established routing system on the boat, in an area with minimal interference. Power cables or other elements that may produce interference for the sonar signals. Inspect the selected route carefully to ensure that there are no sharp edges, obstacles, or obstructions that may damage the cables.

# FEATURE OVERVIEW AND CONNECTING THE CABLES

## FEATURE OVERVIEW AND CONNECTING THE CABLES

The cable(s) from the Control Head for each feature installed on the trolling motor is connected to an output device separately. Once the features that may be installed are identified, follow the instructions below to ensure the cables are connected correctly.

### › Built-In MEGA Down Imaging

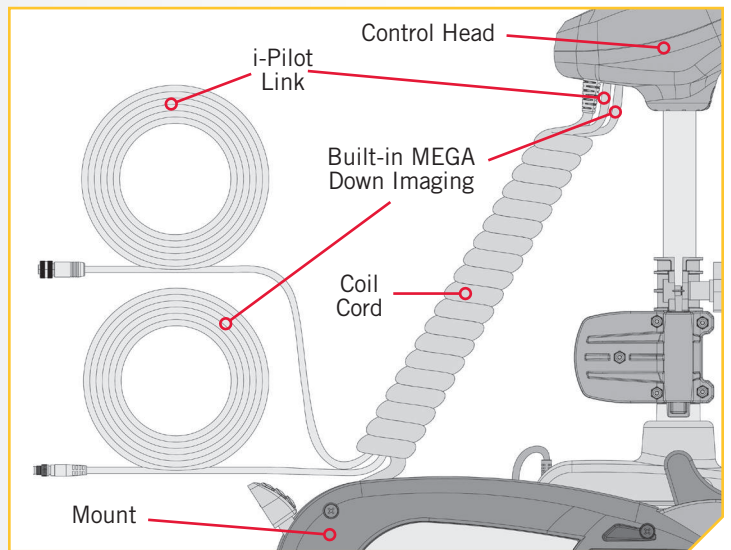
Built-In MEGA Down Imaging delivers nearly 3X the output of standard Side Imaging®, and takes fishfinding into the megahertz frequency for the very first time. The Minn Kota flagship families of trolling motors, including Ultrex, Ulterra, Terrova, and Fortrex, now include Built-In MEGA Down Imaging sonar, the clearest imaging available only from Humminbird. With Humminbird MEGA imaging sonar built right into the trolling motor, you now have a crystal clear view of what's directly beneath the boat, without having to manage all of the cables that come with external transducers. The Built-In MEGA DI transducer is only available on new models equipped from the factory and cannot be added to an existing trolling motor.

The Built-in MEGA DI transducer will provide both MEGA Down Imaging and 2D CHIRP Digital Sonar to select Humminbird models. All Built-In MEGA DI trolling motors, will come “Solix Ready” out of the box. An adapter cable accessory (MKR-MDI-1 1852085 or MKR-MDI-2 1852086) is available for purchase that will allow the connection of any compatible Humminbird Helix fish finder. The MKR-MDI-1 is used on Helix 8, 9, 10 and 12 models. The MKR-MDI-2 is used for Humminbird Helix 7 models only. See the [Built-In MEGA Down Imaging Compatibility](#) chart online.

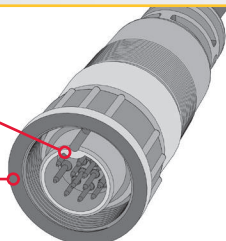
**NOTICE:** You can only view MEGA Down Imaging with a MEGA DI or MEGA SI HELIX G2N or G3N Series model and a required adapter, or with any SOLIX Series model. The built-in transducer cannot supply MEGA Down Imaging to Humminbird models that do not already have the capability. If you have a G2/G2N or a G3/G3N HELIX that is not a MEGA SI or MEGA DI model, you will still get 2D CHIRP Digital Sonar from the transducer. Built-In MEGA DI is not supported by HELIX G1 models or other brands of fish finders.

- 1 a. Place the motor in the deployed position.
- b. The Built-In MEGA Down Imaging connector from the Control Head is a 14 pin connector. Built-In MEGA Down Imaging may be installed on its own, or in conjunction with an i-Pilot or i-Pilot Link system. It will never be installed with Universal Sonar. Locate and identify the correct connection for Built-in MEGA Down Imaging cable(s), at the base of the Control Head.

**NOTICE:** Built-in MEGA Down Imaging is always paired with either i-Pilot or i-Pilot Link on Terrova, Ulterra and Ultrex motors. It may be pre-installed on a Fortrex motor without other features that require external connections.



Fourteen Pin Connector  
Built-in MEGA Down Imaging cable from Control Head



**NOTICE:** Critical cable routing for 60" and 72" motors with i-Pilot Link and Built-in MEGA Down Imaging. Accessory Cables must exit the Coil Cord leaving three or more open coils between where the cables exit and the motor base; as assembled by the factory. Routing the cables in any other manner will not allow the motor to stow properly.

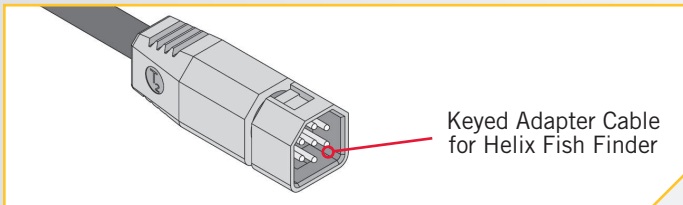
# FEATURE OVERVIEW AND CONNECTING THE CABLES

2

- c. **When installing with a Solix**, the Built-In MEGA Down Imaging cable can be plugged directly into the Solix fish finder. Plug the Built-in MEGA Down Imaging cable into the corresponding connection on the Solix fish finder.
- d. **When installing with a Helix**, first attach the Adapter Cable and then plug the Adapter Cable into the Helix fish finder. The Adapter Cable will only have one connection that is keyed on the back of the Helix fish finder. Plug the Adapter Cable into the only matching keyed connection.

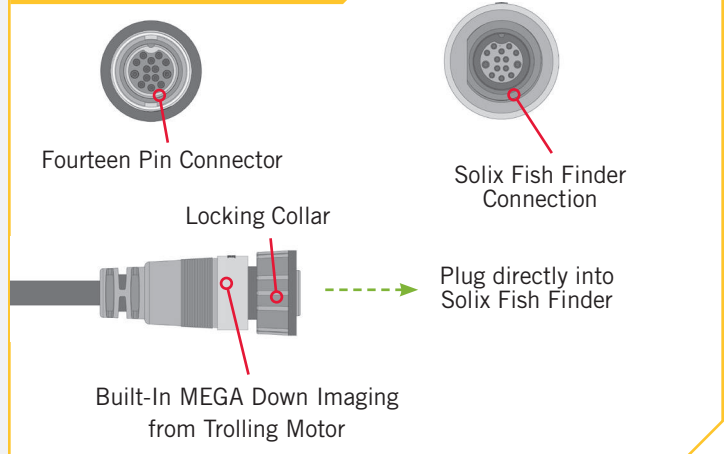
**NOTICE:** Check for compatibility or any required adapter cables online at [minnkotamotors.com](http://minnkotamotors.com). The cable from the trolling motor can be extended with a 10' Extension Cable #720081-1 or the 30' Extension Cable #720081-2 found at [humminbird.com](http://humminbird.com).

**NOTICE:** If any cables need to be routed, please follow the guidelines in the Routing Connection Cables section of these installation instructions.

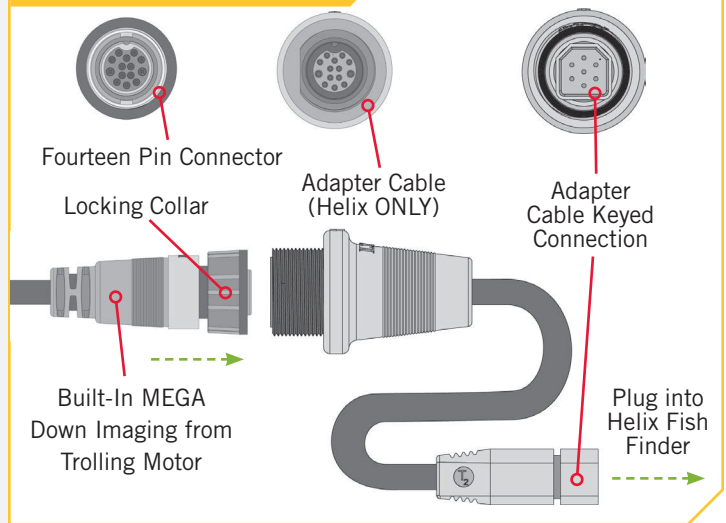


**NOTICE:** The connectors are keyed to prevent reversed installation.

## Humminbird Solix Fish Finder



## Humminbird Helix Fish Finder



## › Universal Sonar

Your trolling motor may be pre-installed with a Universal Sonar transducer system. Universal Sonar is a 2D sonar transducer with a temperature sensor that is integrated into the lower unit of the trolling motor. It has an operating frequency of 83/200 kHz. Connecting this transducer to a compatible fish finder gives you a 2D sonar view of what is happening directly below your trolling motor. The integrated design protects the transducer from underwater hazards, and prevents tangles and damage to the transducer cables.

All Universal Sonar motors are equipped with an internal bonding wire, incorrect rigging will cause sonar interference and can damage your trolling motor, electronics and other boat accessories. To minimize trolling motor interference, ensure that the fish finder and trolling motor are powered by separate batteries. Please refer to the Battery & Wiring Installation and Motor Wiring Diagram sections of this manual for correct rigging instructions.



# FEATURE OVERVIEW AND CONNECTING THE CABLES

The Universal Sonar Cables are shielded to minimize interference. To protect this shielding the cables should not be pulled tight against sharp angles or hard objects. If using cable ties, do not over-tighten. Any excess cable should be bundled in a loose loop of no less than 4" in diameter. In certain situations, air bubbles may adhere to the surface of the Universal Sonar transducer, and effect the performance. If this happens simply wipe the surface of the transducer with your finger.

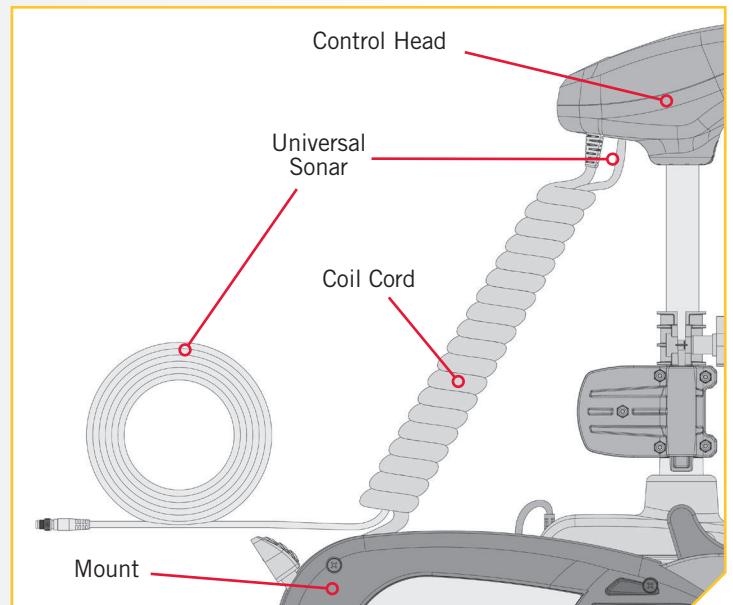
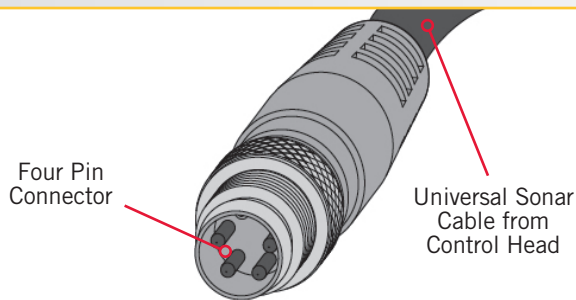
**NOTICE:** Universal Sonar does not support imaging screens that require higher frequencies such as 455 kHz or 800 kHz (Down Imaging, Side Imaging, etc.). Down Imaging (DI) specific units are not compatible with Universal Sonar. See compatibility chart for a list of compatible fish finders at [minnkotamotors.com](http://minnkotamotors.com).

The connector for Universal Sonar exits the trolling motor below the Control Head and consists of a 4 pin plug. An adapter cable (MKR-US2) that is sold separately is required for all installations. For a current list of compatible fish finders and the correct adapter cable, or more information on Universal Sonar, please visit [minnkotamotors.com](http://minnkotamotors.com).

1

- a. Place the motor in the deployed position.
- b. Locate the Universal Sonar, if equipped, at the base of the Mount.
- c. Locate the Universal Sonar four pin connector at the end of Universal Sonar Extension Cable. The connector is black with a stainless steel threaded locking collar.

**NOTICE:** Your fish finder should be turned off until this procedure is complete.



**NOTICE:** If the cable length does not reach the desired fish finder installation location, a 14.5' extension cable is available (MKR-US2-11) (sold separately).

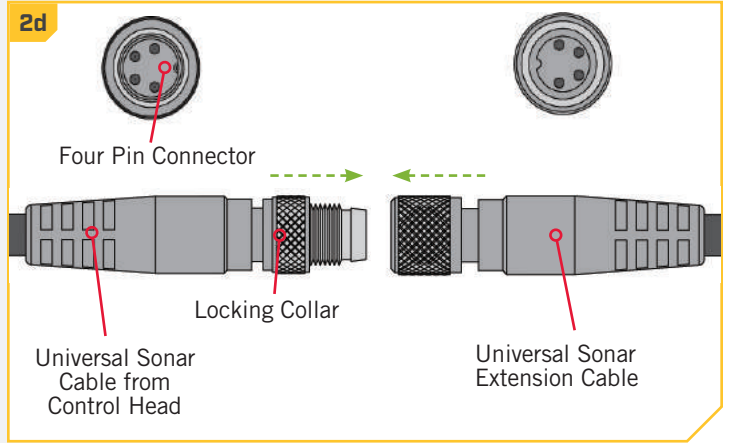
# FEATURE OVERVIEW AND CONNECTING THE CABLES

2

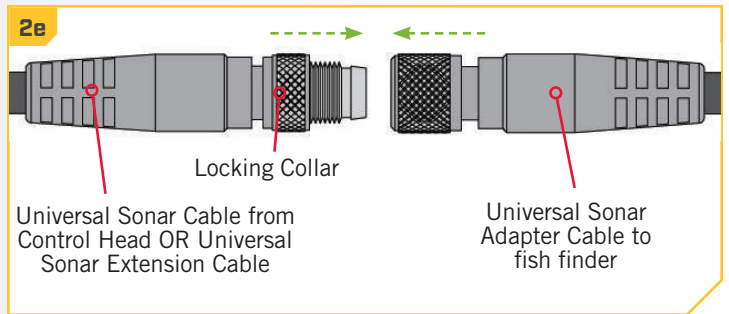
**NOTICE:** The Universal Sonar Cable may not be long enough to reach the fish finder. If the cable length does not reach the desired fish finder installation location, a 14.5' extension cable is available to purchase. Minn Kota recommends using the MKR-US2-11.

- d. Take the Universal Sonar Extension Cable, if needed, and attach it to the Universal Sonar Cable exiting the Control Head. Firmly push the plug together and twist the locking collar until it is snug.
- e. Install the Universal Sonar Cable that exists the Control Head or the Universal Sonar Extension Cable (if used) to the appropriate Universal Sonar Adapter Cable. Install the Adapter Cable to your fish finder. Refer to your fish finder manual for complete installation instructions.

**NOTICE:** If any cables need to be routed, please follow the guidelines in the Routing Connection Cables section of these installation instructions.



**NOTICE:** The connectors are keyed to prevent reversed installation.



## i-Pilot Link

i-Pilot Link allows your Minn Kota trolling motor and Humminbird to communicate with each other to change the way you fish. i-Pilot Link delivers a large array of GPS capabilities including controlling speed, steering, Spot-Lock, and the ability to record and retrace paths on the water, all at your fingertips. To learn more about the GPS capabilities available with your i-Pilot Link navigation system, please refer to the Owner's Manual by visiting [minnkotamotors.com](http://minnkotamotors.com).

The i-Pilot Link remote and controller make up the i-Pilot Link navigation system. The i-Pilot Link remote comes paired to the controller from the factory. The i-Pilot Link controller contains a very sensitive compass and is where all GPS satellite and i-Pilot Link remote signals are received. The i-Pilot Link controller is contained in the trolling motor Control Head and is connected to a fish finder from a connection cable that exits the Control Head.

The Ethernet cable for the i-Pilot Link system has an 8 pin connector. The i-Pilot Link system can be connected directly to the Humminbird or to the Humminbird Ethernet Switch (optional). If you purchase an Ethernet Switch, install it using the instructions included in the Ethernet Installation Guide. The Ethernet Extension Cable is optional for your installation. To purchase Ethernet switches, Ethernet cables, and extension cables, visit the web site [humminbird.com](http://humminbird.com) or call Humminbird Customer Service at 1-800-633-1468. Depending on the shape of the Ethernet port on your Humminbird fish finder, an additional ethernet adapter cable (**Ethernet Adaptor Cable AS EC QDE #720074-1 for Helix fish finders**) may be required for the installation. Refer to your fish finder operations manual or see the **i-Pilot Link Compatibility Chart** on our web site with a list of all compatible Humminbird Units and SC Cards.

**NOTICE:** The i-Pilot Link system needs an external wired connection. The i-Pilot system does not need an external wired connection.



# FEATURE OVERVIEW AND CONNECTING THE CABLES

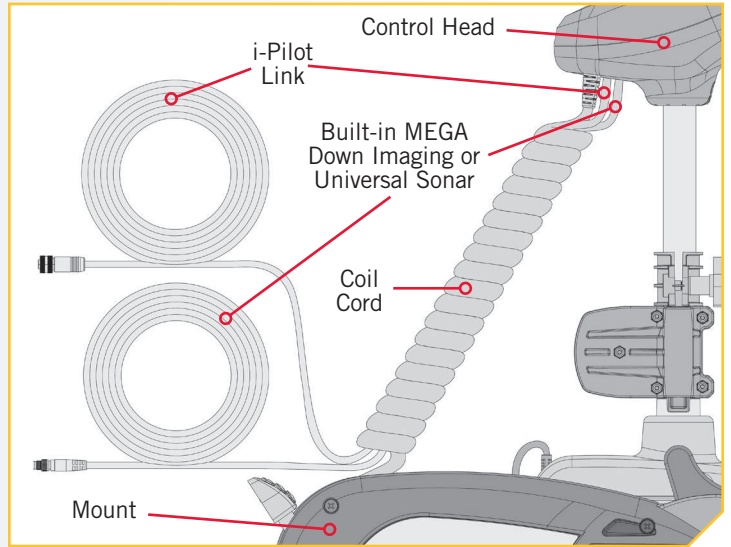
1

- a. Place the motor in the deployed position.
- b. The i-Pilot Link connector from the Control Head is an 8 pin connector. Locate and identify the correct connection for i-Pilot Link, at the base of the Control Head.

**NOTICE:** i-Pilot Link will be paired with either Built-in MEGA Down Imaging or Universal Sonar on Ultrex, Ulterra or Terrova. i-Pilot Link is not a feature offered on Fortrex motors.

**NOTICE:** Paired with a Universal Sonar connector for illustration purposes. A Built-in MEGA Down Imaging connector may be present instead.

**NOTICE:** Critical cable routing for 60" and 72" motors with i-Pilot Link and Built-in MEGA Down Imaging. Accessory Cables must exit the Coil Cord leaving three or more open coils between where the cables exit and the motor base; as assembled by the factory. Routing the cables in any other manner will not allow the motor to stow properly.



2

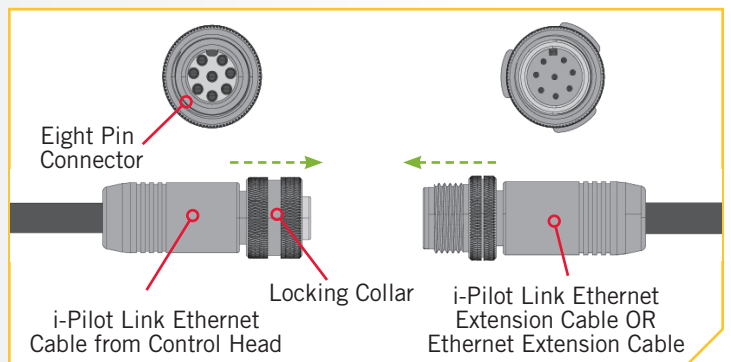
## ITEM(S) NEEDED



- c. If necessary, to reach the installed fish finder, take the i-Pilot Link Ethernet Cable (Item #12) and attach it to the i-Pilot Link cable exiting the Control Head.

**NOTICE:** If any cables need to be routed, please follow the guidelines in the Routing Connection Cables section of these installation instructions.

- d. Install the i-Pilot Link Ethernet Cable directly into the Humminbird fish finder, or refer to your fish finder installation manual for complete installation instructions. If an Adapter Cable is needed (Ethernet Adaptor Cable AS EC QDE for Helix fish finders), install it on the end of the i-Pilot Link Ethernet Cable and refer to your fish finder installation manual for complete installation instructions.






**NOTICE:** The connectors are keyed to prevent reversed installation.

# INSTALLING THE PROP

## INSTALLING THE PROP

1

### ITEM(S) NEEDED

 #17 x 1  #15 x 1  #16 x 1  #14 x 1



## CAUTION

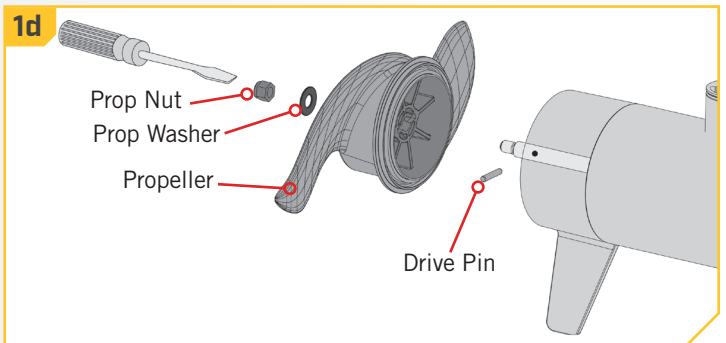
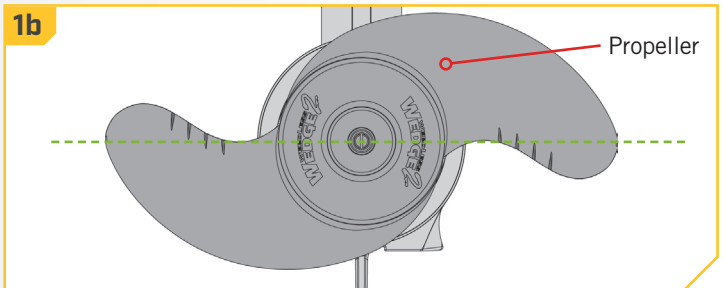
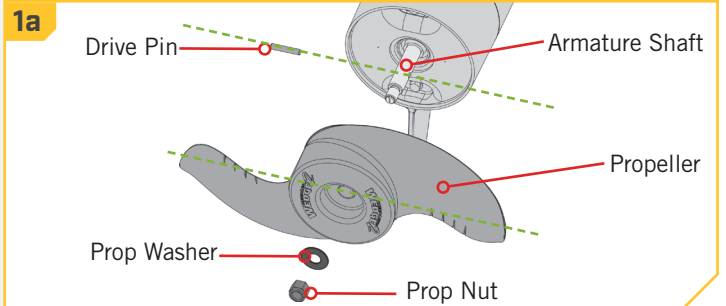
Disconnect the motor from the battery before beginning any prop work.

- Take the Drive Pin (Item #14) and slide it through the Hole in the Armature Shaft. Position the Drive Pin horizontal by grasping the Armature Shaft and rotating it with the Drive Pin in place.
- Align the Propeller (Item #17) so it is also horizontal and parallel with the Drive Pin. Slide the Propeller onto the Armature Shaft and Drive Pin until it is seated against the lower unit.
- Install the Prop Washer (Item #15) and the Prop Nut (Item #16) onto the end of the Armature Shaft.
- Holding the end of the Armature Shaft with a Flat Blade Screwdriver, tighten the Prop Nut with a 9/16" Open End Wrench.
- Tighten the Prop Nut 1/4 turn past snug to 25-35 in-lbs.



## CAUTION

Do not over tighten as this can damage the prop.



# BATTERY & WIRING INSTALLATION

## BOAT RIGGING & PRODUCT INSTALLATION

For safety and compliance reasons, we recommend that you follow American Boat and Yacht Council (ABYC) standards when rigging your boat. Altering boat wiring should be completed by a qualified marine technician. The following specifications are for general guidelines only:

### CAUTION

These guidelines apply to general rigging to support your Minn Kota motor. Powering multiple motors or additional electrical devices from the same power circuit may impact the recommended conductor gauge and circuit breaker size. If you are using wire longer than that provided with your unit, follow the conductor gauge and circuit breaker sizing table below. If your wire extension length is more than 25 feet, we recommend that you contact a qualified marine technician.

### CAUTION

**An over-current protection device (circuit breaker or fuse) must be used.** Coast Guard requirements dictate that each ungrounded current-carrying conductor must be protected by a manually reset, trip-free circuit breaker or fuse. The type (voltage and current rating) of the fuse or circuit breaker must be sized accordingly to the trolling motor used. The table below gives recommended guidelines for circuit breaker sizing.

## CONDUCTOR GAUGE AND CIRCUIT BREAKER SIZING TABLE

This conductor and circuit breaker sizing table is only valid for the following assumptions:

1. No more than 2 conductors are bundled together inside of a sheath or conduit outside of engine spaces.
2. Each conductor has 105° C temp rated insulation.
3. No more than 5% voltage drop allowed at full motor power based on published product power requirements.

Motor Thrust / Model	Max Amp Draw	Circuit Breaker	Wire Extension Length				
			5 feet	10 feet	15 feet	20 feet	25 feet
30 lb.	30	50 Amp @ 12 VDC	10 AWG	10 AWG	8 AWG	6 AWG	4 AWG
40 lb., 45 lb.	42		10 AWG	8 AWG	6 AWG	4 AWG	4 AWG
50 lb., 55 lb.	50	60 Amp @ 12 VDC	8 AWG	6 AWG	4 AWG	4 AWG	2 AWG
70 lb.	42	50 Amp @ 24 VDC	10 AWG	10 AWG	8 AWG	8 AWG	6 AWG
80 lb.	56	60 Amp @ 24 VDC	8 AWG	8 AWG	8 AWG	6 AWG	6 AWG
101 lb.	46	50 Amp @ 36 VDC	8 AWG	8 AWG	8 AWG	8 AWG	8 AWG
Engine Mount 101	50	60 Amp @ 36 VDC	8 AWG	8 AWG	8 AWG	8 AWG	8 AWG
112 lb.	52	60 Amp @ 36 VDC	8 AWG	8 AWG	8 AWG	8 AWG	8 AWG
Engine Mount 160	116	(2) x 60 Amp @ 24 VDC	6 AWG	6 AWG	4 AWG	2 AWG	2 AWG
E-Drive	40	50 Amp @ 48 VDC	10 AWG	10 AWG	10 AWG	10 AWG	10 AWG

**NOTICE:** Wire Extension Length refers to the distance from the batteries to the trolling motor leads. Consult website for available thrust options. Maximum Amp Draw values only occur intermittently during select conditions and should not be used as continuous amp load ratings.

Reference

United States Code of Federal Regulations: 33 CFR 183 – Boats and Associated Equipment ABYC E-11: AC and DC Electrical Systems on Boats

## SELECTING THE CORRECT BATTERIES

### SELECTING THE CORRECT BATTERIES

The motor will operate with any lead acid, deep cycle marine 12 volt battery/batteries. For best results, use a deep cycle, marine battery with at least a 105 amp-hour rating. Maintain battery at full charge. Proper care will ensure having battery power when you need it, and will significantly improve the battery life. Failure to recharge lead-acid batteries (within 12-24 hours) is the leading cause of premature battery failure. Use a multi-stage charger to avoid overcharging. We offer a wide selection of chargers to fit your charging needs. If you are using a crank battery to start a gasoline outboard, we recommend that you use a separate deep cycle marine battery/batteries for your Minn Kota trolling motor. For more information on battery selection and rigging, please visit [minnkotamotors.com](http://minnkotamotors.com).

#### **WARNING**

Never connect the (+) and the (-) terminals of the same battery together. Take care that no metal object can fall onto the battery and short the terminals. This would immediately lead to a short and extreme fire danger.

#### **CAUTION**

Refer to “Conductor Gauge and Circuit Breaker Sizing Table” in the previous section to find the appropriate circuit breaker or fuse for your motor. For motors requiring a 60-amp breaker, the Minn Kota MKR-19 60-amp circuit breaker is recommended.

#### **CAUTION**

Please read the following information before connecting your motor to your batteries in order to avoid damaging your motor and/or voiding your warranty.

### ADDITIONAL CONSIDERATIONS

#### › Using Alternator Chargers

Your Minn Kota trolling motor may be designed with an internal bonding wire to reduce sonar interference. Most alternator charging systems do not account for this bonding wire, and connect the negative posts of the trolling motor batteries to the negative posts of the crank/starting battery. These external connections can damage connected electronics and the electrical system of your trolling motor, voiding your warranty. Review your charger’s manual carefully or consult the manufacturer prior to use to ensure your charger is compatible.

Minn Kota recommends using Minn Kota brand chargers to recharge the batteries connected to your Minn Kota trolling motor, as they have been engineered to work with motors that include a bonding wire.

#### › Additional Accessories Connected to Trolling Motor Batteries

Significant damage to your Minn Kota motor, your boat electronics, and your boat can occur if incorrect connections are made between your trolling motor batteries and other battery systems. Minn Kota recommends using an exclusive battery system for your trolling motor. Where possible, accessories should be connected to a separate battery system. Radios and sonar units should not be connected to any trolling motor battery systems as interference from the trolling motor is unavoidable. If connecting any additional accessories to any trolling motor battery system, or making connections between the trolling motor batteries and other battery systems on the boat, be sure to carefully observe the information below.

The negative (-) connection must be connected to the negative terminal of the same battery that the trolling motor negative lead connects to. In the diagrams below this battery is labeled “Low Side” Battery. Connecting to any other trolling motor battery will input positive voltage into the “ground” of that accessory, which can cause excess corrosion. Any damage caused by incorrect connections between battery systems will not be covered under warranty.

////////////////////////////////////

## › Automatic Jump Start Systems and Selector Switches

Automatic jump start systems and selector switches tie the negatives of the connected batteries together. Connecting these systems to the “High Side” Battery or “Middle” Battery in the diagrams below and will cause significant damage to your trolling motor and electronics. The only trolling motor battery that is safe to connect to one of these systems is the “Low Side” Battery.

**NOTICE:** The internal bonding wire is equipped with a 3 amp fuse. Improper connections described above carrying in excess of 3 amps will blow this fuse and no further damage will be exhibited. If this occurs, RF interference from the trolling motor affecting sonar units and other electronics will be more significant. If the fuse is blown the wiring error should be found and addressed prior to replacing the fuse. The replacement fuse should be 3 amps or less. An intact fuse does not imply correct rigging; significant damage can be done by incorrect wiring without approaching 3 amps of current.

## CONNECTING THE BATTERIES

### › 12 Volt Systems

1. Make sure that the motor is switched off (speed selector on “OFF” or “0”).
2. Connect positive ( + ) red lead to positive ( + ) battery terminal.
3. Connect negative ( - ) black lead to negative ( - ) battery terminal.

### **WARNING**

For safety reasons do not switch the motor on until the propeller is in the water. If installing a leadwire plug, observe proper polarity and follow instructions in your boat owner’s manual.

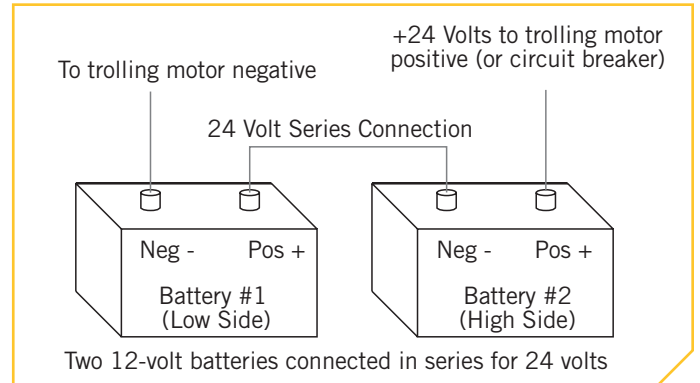
## CONNECTING THE BATTERIES IN SERIES

### CONNECTING THE BATTERIES IN SERIES (IF REQUIRED FOR YOUR MOTOR)

#### › 24 Volt Systems

Two 12 volt batteries are required. The batteries must be wired in series, only as directed in wiring diagram, to provide 24 volts.

1. Make sure that the motor is switched off (speed selector on "0").
2. Connect a connector cable to the positive (+) terminal of battery 1 and to the negative (-) terminal of battery 2.
3. Connect positive (+) red motor lead to positive (+) terminal on battery 2.
4. Connect negative (-) black motor lead to negative (-) terminal of battery 1.



### **WARNING**

For safety reasons do not switch the motor on until the propeller is in the water. If installing a leadwire plug, observe proper polarity and follow instructions in your boat owner's manual.

### **WARNING**

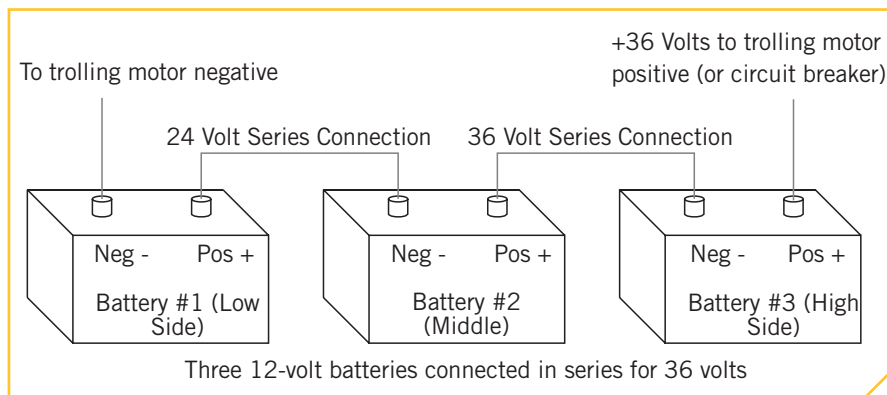
- For safety reasons, disconnect the motor from the battery or batteries when the motor is not in use or while the battery/batteries are being charged.
- Improper wiring of 24/36 volt systems could cause battery explosion.
- Keep leadwire wing nut connections tight and solid to battery terminals.
- Locate battery in a ventilated compartment.

## CONNECTING THE BATTERIES IN SERIES

### 36 Volt Systems

Three 12 volt batteries are required. The batteries must be wired in series, only as directed in wiring diagram, to provide 36 volts.

1. Make sure that the motor is switched off (speed selector on "0").
2. Connect a connector cable to the positive (+) terminal of battery 1 and to the negative (-) terminal of battery 2 and another connector cable from the positive (+) terminal of battery 2 to the negative (-) terminal of battery of battery 3.
3. Connect positive (+) red motor lead to positive (+) terminal on battery 3.
4. Connect negative (-) black motor lead to negative (-) terminal of battery 1.



### WARNING

For safety reasons do not switch the motor on until the propeller is in the water. If installing a leadwire plug, observe proper polarity and follow instructions in your boat owner's manual.

### WARNING

- For safety reasons, disconnect the motor from the battery or batteries when the motor is not in use or while the battery/batteries are being charged.
- Improper wiring of 24/36 volt systems could cause battery explosion.
- Keep leadwire wing nut connections tight and solid to battery terminals.
- Locate battery in a ventilated compartment.

This completes the installation of your Terrova. A complete Owner's Manual can be downloaded at [minnkotamotors.com](http://minnkotamotors.com).



# RECOMMENDED ACCESSORIES

## ON-BOARD & PORTABLE BATTERY CHARGERS

Stop buying new batteries and start taking care of the ones you've got. Many chargers can actually damage your battery over time – creating shorter run times and shorter overall life. Digitally controlled Minn Kota chargers are designed to provide the fastest charge that protect and extend battery life.



MK212PC



MK210D



MK110PD

## TALON SHALLOW WATER ANCHOR

Introducing the all-new, sleek redesigned Talon. Talon is the only shallow water anchor with up to 15' of anchoring depth, multiple anchoring modes, and control from the bow, transom, console, remote or mobile device.



### BUILT-IN WORK LIGHT

Lets you tie lines and work from the transom any time of day — or night. Includes both white and blue LED lights with three brightness settings.



### UP TO 15' DEEP

Control more water and catch more fish with the first 15' shallow water anchor.



### BLUETOOTH® CONNECTIVITY

Lets you control Talon from your mobile device and easily update it. Also opens up communication to other control options.



### MORE CONTROL OPTIONS

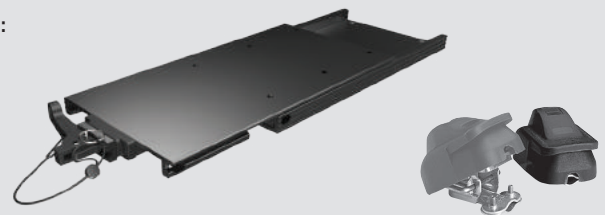
- Control Panel
- Wireless Remote
- Mobile App
- Wireless Foot Switch
- Humminbird® Connectivity
- i-Pilot® & i-Pilot Link™ Remote



## MINN KOTA ACCESSORIES

We offer a wide variety of trolling motor accessories, including:

- 60-Amp Circuit Breaker
- Mounting Brackets
- Stabilizer Kits
- Extension Handles
- Battery Connectors
- Battery Boxes
- Quick Connect Plugs

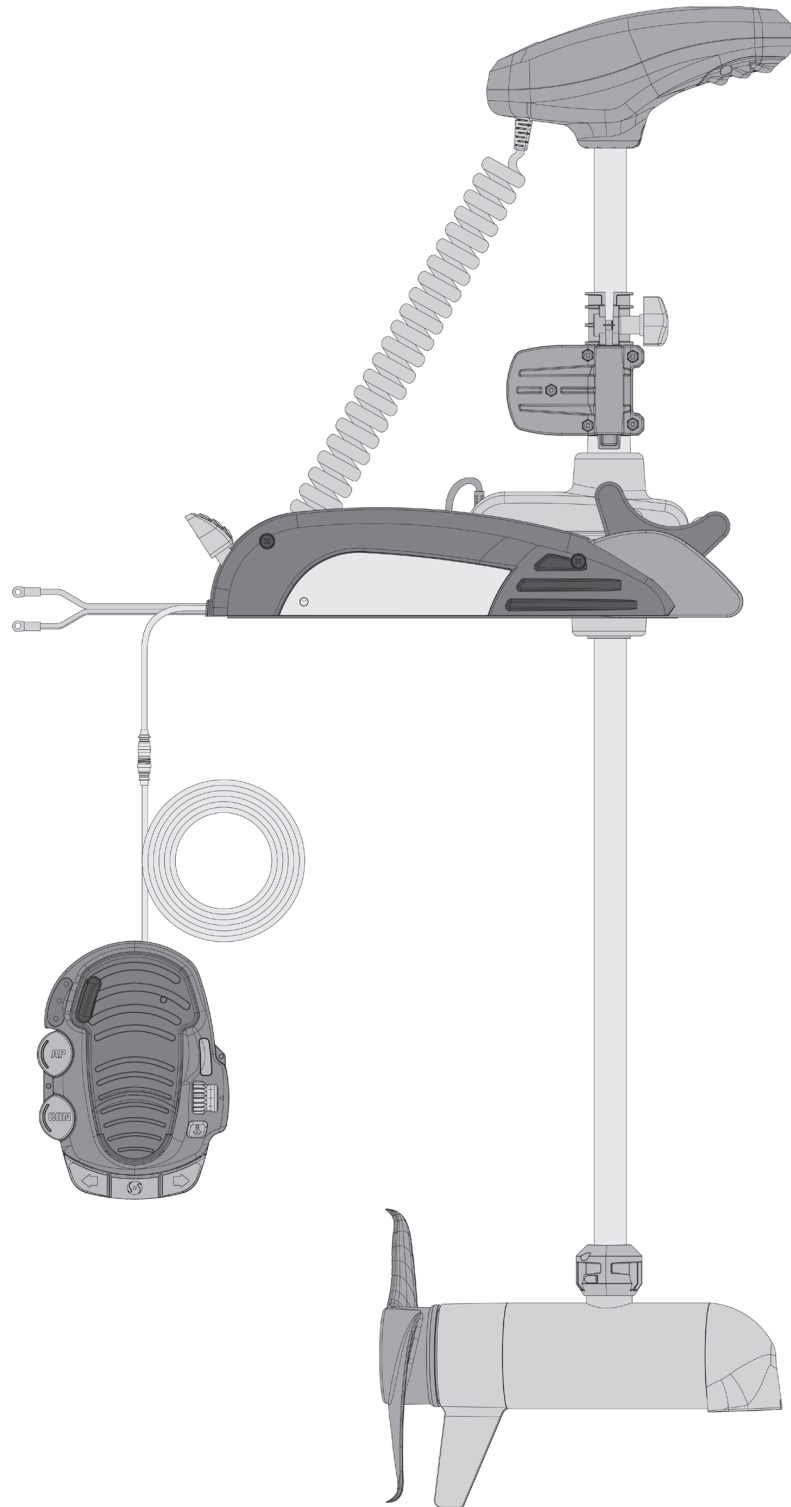


Minn Kota Consumer & Technical Service  
Johnson Outdoors Marine Electronics, Inc.  
PO Box 8129  
Mankato, MN 56001

121 Power Drive  
Mankato, MN 56001  
Phone (800) 227-6433  
Fax (800) 527-4464



©2018 Johnson Outdoors Marine Electronics, Inc.  
All rights reserved.



# TERROVA

**PROPULSEUR ÉLECTRIQUE MONTÉ SUR L'ÉTRAVE**

**Instructions d'Installation**

# INTRODUCTION

## MERCI

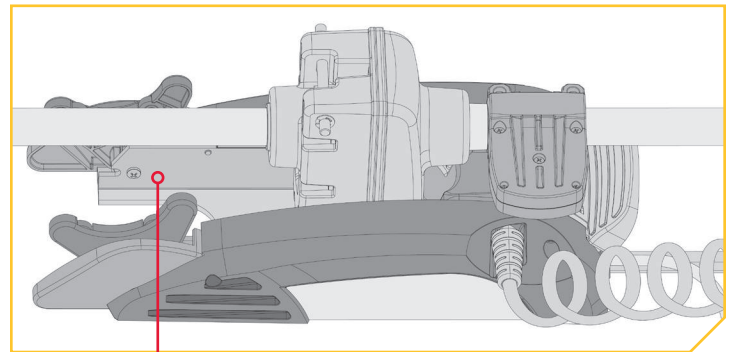
Nous vous remercions d'avoir choisi Minn Kota. Nous sommes persuadés que vous devriez consacrer plus de temps à pêcher et moins de temps à amarrer votre embarcation. C'est pourquoi nous construisons les propulseurs électriques les plus intelligents, les plus solides et les plus faciles à utiliser. Chaque aspect d'un propulseur électrique Minn Kota est réfléchi et étudié jusqu'à ce qu'il soit digne de porter notre nom. Nous avons investi des heures incalculables de recherche et d'essais pour vous offrir les avantages caractéristiques de Minn Kota, qui vous mène vraiment « n'importe où, et n'importe quand. » Notre principe est simple, nous faisons les choses selon les règles. Nous sommes Minn Kota. Et nous ne cesserons jamais de vous aider à pêcher plus de poissons.

## ENREGISTREMENT

N'oubliez pas de conserver votre reçu et d'enregistrer immédiatement votre propulseur électrique. Une fiche d'enregistrement est fournie avec votre moteur; vous pouvez également effectuer l'enregistrement sur notre site Web à [minnkotamotors.com](http://minnkotamotors.com).

## NUMÉRO DE SÉRIE

Le numéro de série à 11 caractères Minn Kota est très important. Cela permet de déterminer le modèle spécifique et l'année de fabrication. Lorsque vous contactez le Service à la clientèle ou que vous enregistrez votre article, vous aurez besoin du numéro de série de votre article. Nous vous suggérons de noter le numéro de série afin qu'il soit disponible à des fins de référence future.



**AVIS:** Le numéro de série de votre Terrova se trouve sous la barre d'inclinaison.

## INFORMATIONS SUR LE MOTEUR (À des fins de Référence par le Client Seulement)

Modèle: \_\_\_\_\_

Numéro de Série: \_\_\_\_\_

Date de l'achat: \_\_\_\_\_

Magasin où l'achat a été effectué: \_\_\_\_\_

**AVIS:** Ne retournez pas votre moteur Minn Kota au détaillant. Le détaillant n'est pas autorisé à réparer ou à remplacer cet appareil. Pour le service : communiquer avec Minn Kota au (800) 227-6433; retourner le moteur au Centre de service de l'usine de Minn Kota; envoyer ou apporter le moteur à un centre de service agréé de Minn Kota. Une liste de centres de service agréés est disponible sur notre site Web, à [minnkotamotors.com](http://minnkotamotors.com). Pour obtenir un service au titre de la garantie, y compris toutes les options susmentionnées, veuillez inclure la preuve d'achat, le numéro de série et la date de l'achat.

# CONSIGNES DE SÉCURITÉ

Veillez lire attentivement le manuel de l'utilisateur. Suivez toutes les instructions et respectez toutes les consignes de sécurité et mises en garde. L'utilisation de ce moteur n'est autorisée que pour les personnes qui ont lu et compris ces consignes pour l'utilisateur. Les personnes mineures peuvent utiliser ce moteur uniquement sous la supervision d'un adulte.

## **AVERTISSEMENT**

Vous seul êtes responsable de la navigation sécuritaire et prudente sur votre bateau. Nous avons conçu votre Minn Kota pour qu'il soit un outil précis et fiable qui vous permettra d'améliorer l'utilisation de votre bateau et d'accroître votre capacité de pêcher des poissons. Ce produit ne vous exonère pas de la responsabilité de naviguer en toute sécurité avec votre bateau. Vous devez éviter les dangers liés à la navigation et toujours exercer une veille permanente afin de pouvoir réagir au fur et à mesure que les situations se présentent. Vous devez toujours être prêt à reprendre le contrôle manuel de votre bateau. Apprenez à utiliser votre Minn Kota dans une zone exempte de dangers et d'obstacles.

## **AVERTISSEMENT**

Ne faites jamais fonctionner le moteur hors de l'eau, puisque cela entraînerait des blessures causées par l'hélice en rotation. Le moteur doit être débranché de la source d'alimentation lorsqu'il n'est pas utilisé ou lorsqu'il est hors de l'eau. Au moment de brancher les câbles d'alimentation du moteur à la batterie, veiller à ce qu'ils ne soient pas entortillés ou exposés au frottement, puis les placer de telle manière que personne ne risque de trébucher. Avant d'utiliser le moteur, s'assurer que l'isolant des câbles d'alimentation n'est pas endommagé. Ne pas tenir compte de ces mesures de sécurité peut entraîner des courts-circuits avec les batteries et/ou le moteur. Toujours débrancher le moteur des batteries avant le nettoyage ou la vérification de l'hélice. Éviter de submerger complètement le moteur, car l'eau pourrait pénétrer dans l'appareil inférieur par la tête de contrôle et l'arbre. Si le moteur est utilisé alors que de l'eau est présente dans l'appareil inférieur, ce dernier pourrait subir des dommages considérables. Ces dommages ne seront pas couverts par la garantie.

## **AVERTISSEMENT**

Veillez à ce que ni vous ni d'autres personnes ne vous approchiez trop près de l'hélice en rotation, que ce soit seulement avec une partie du corps ou des objets. Le moteur est puissant et pourrait provoquer des situations périlleuses ou des blessures, pour vous ou les autres. Lorsque le moteur est en marche, se méfier des objets flottants ou des personnes qui pourraient être en train de nager. Les personnes, dont les réactions ou la capacité à faire fonctionner le moteur est/sont affaiblie(s) par l'alcool, la drogue, les médicaments ou d'autres substances, ne sont pas autorisées à utiliser ce moteur. Ce moteur n'est pas adapté à l'utilisation dans de forts courants. Le niveau de pression sonore constant du moteur au moment de l'utilisation est inférieur à 70 dB (A). Le niveau de vibration général ne dépasse pas  $8,2 \text{ pi/s}^2$  ( $2,5 \text{ m/s}^2$ ).

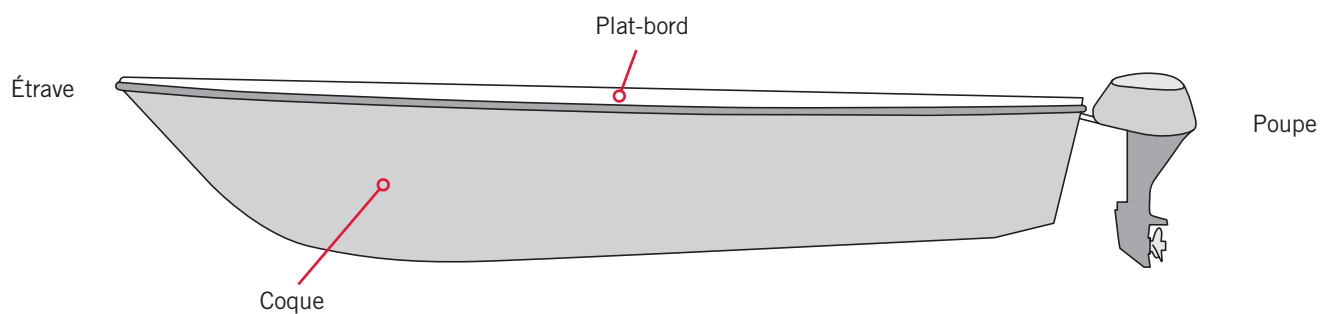
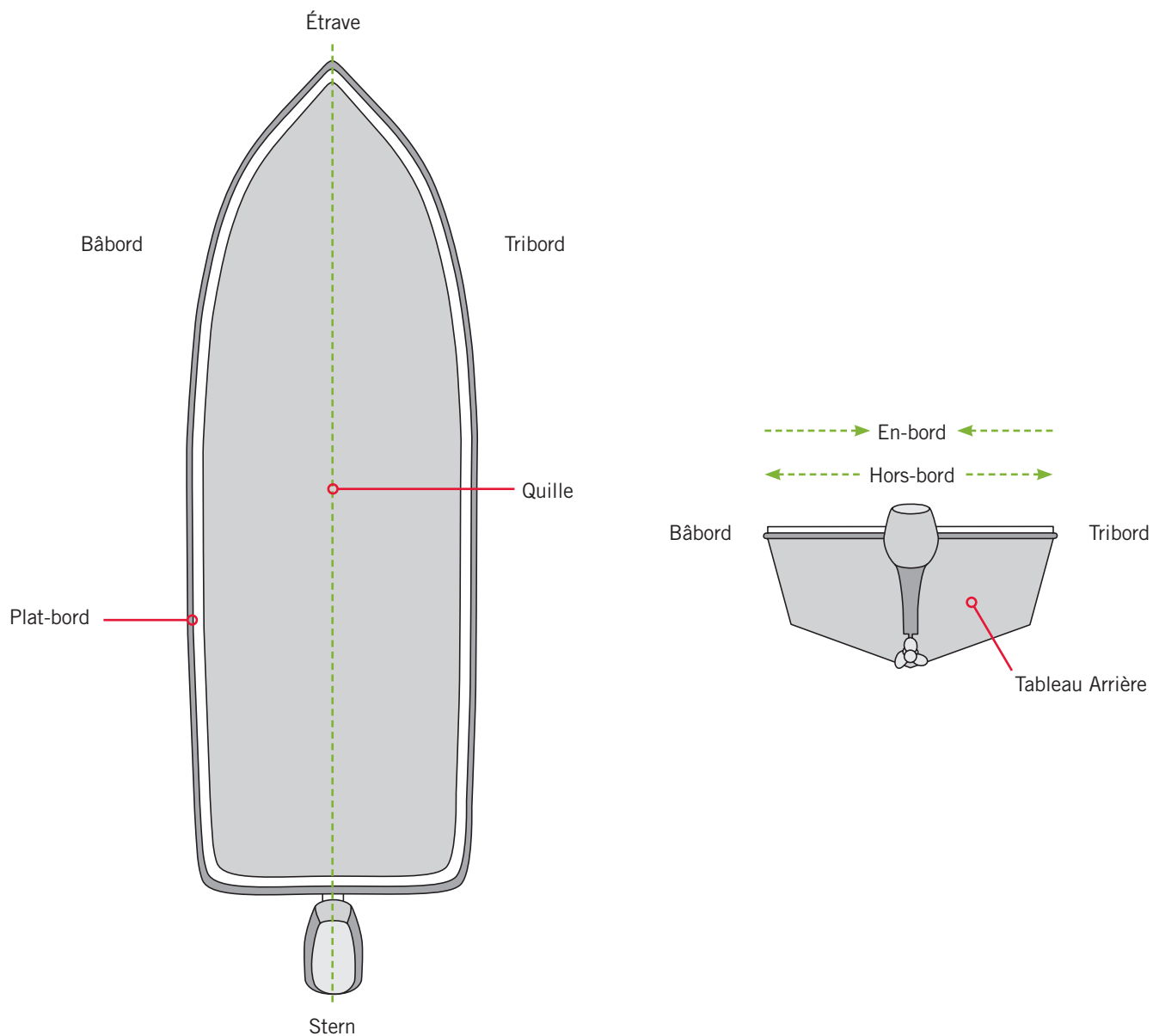
## **AVERTISSEMENT**

Lorsque vous remontez ou abaissez le moteur, gardez vos doigts loin de toutes charnières et tous points de pivot ainsi que de toutes pièces mobiles. En cas d'opération imprévue, retirez les câbles d'alimentation à la batterie.

## **AVERTISSEMENT**

Il est recommandé d'utiliser exclusivement les accessoires approuvés par Johnson Outdoors avec votre moteur Minn Kota. L'utilisation d'accessoires non approuvés, y compris pour monter ou contrôler votre moteur, pourrait causer des dommages, un fonctionnement inattendu du moteur et des blessures. Veillez à utiliser le produit ainsi que les accessoires approuvés, y compris les télécommandes, en toute sécurité et de la manière indiquée pour éviter les accidents ou un fonctionnement inattendu du moteur. Ne retirez pas les pièces installées en usine, y compris les couvercles, boîtiers et protections du moteur et des accessoires.

# CONNAISSEZ VOTRE BATEAU





# INSTALLATION

## INSTALLATION DU TERROVA

Votre nouveau Terrova est offert avec tout ce dont vous aurez besoin pour le montage direct au bateau. Ce moteur peut être monté directement sur le bateau ou couplé avec un support à dégagement rapide Minn Kota pour un montage et un démontage simples. Pour l'installation avec un support à dégagement rapide, vous reporter aux directives d'installation fournies avec le support. Pour obtenir des supports de montage à dégagement rapide compatibles ou pour trouver votre concessionnaire le plus près, visitez [minnkotamotors.com](http://minnkotamotors.com). Pour installer le moteur directement sur le bateau, veuillez suivre les directives fournies avec ce manuel. Avant de commencer, veuillez examiner la liste des pièces et des outils nécessaires à l'installation. Pour davantage de soutien pour les produits, veuillez visiter [minnkotamotors.com](http://minnkotamotors.com).

### LISTE DE PIÈCES D'INSTALLATION

Article/ Assemblage	N° de Pièce	Description	Qté.
AA	2994864	BAG ASSEMBLY - (BOLT, NUT, WASHERS)	1
1	2263462	BOLT-MOUNTING-1/4X2 W/STG	6
2	2261713	WASHER-1/4	6
3	2263103	NUT NYLOK 1/4-20 MTG	6
4	2301720	WASHER-MOUNTING RUBBER	6
5	*	MOTOR ASSEMBLY	1
6	2390800 ♦ ●	LANYARD, REMOTE W/ CARABEENER	1
7	2994075 ♦	REMOTE ASY, IPILOT	1
▲	2397106 ♦	MANUAL, QUICK REF., IPILOT 1.6	1
8	2994076 ●	REMOTE ASSEMBLY LINK TOUCHSCREEN	1
9	2373241 ●	CABLE, USB REMOTE CHARGER LINK	1
10	2375901 ●	ADAPTER, USB DC POWER LINK	1
11	2996400 ♦ ●	HEADING SENSOR ASSEMBLY	1
12	490389-1 ●	CABLE, ETH (M12-M-M12-F, 30'	1
13	2211415	CABLE-EXTENSION, PD/AP 110"	1
14	2092600	PIN-DRIVE 1.06" LG (SS)	1
	2262658	PIN-DRIVE 1" X 3/16" S/S	1
15	2151726	WASHER-5/16 STD (S/S)	1
	2091701	WASHER-PROP (LARGE)	1
16	2053101	NUT-PROP,NYLOC (MED) 5/16 SS	1
	2093101	NUT-PROP,NYLOC,LG, 3/8 SS	1
17	2091160	PROP-WW2 (3-5/8") REAMED	1
	2341160	PROP-WW2 (4.5) W/ADP.RING	1
	2331160	PROP-WW2 (4") W/ADP.RING	1
BB	1378131	PROP IND 2091160 WDLS WDG II	1
CC	1378160	PROP KIT 2341160 112# WW2	1
DD	1378132	PROP IND 2331160 WDLS WDG II	1
EE	2994722	FT PED ASY, TRV, W/SPOT LCK	1
FF	2994859	BAG, ASY-TERROVA/V2, RUB BUMPERS	1
18	2325110	PAD, FOOT PEDAL	5
▲	2327132	INSTALLATION INSTRUCTIONS TERROVA	1
▲	2397107 ●	MANUAL, QUICK REF., IPILOT LINK 3.0	1

▲ Non visible sur le schéma des pièces.

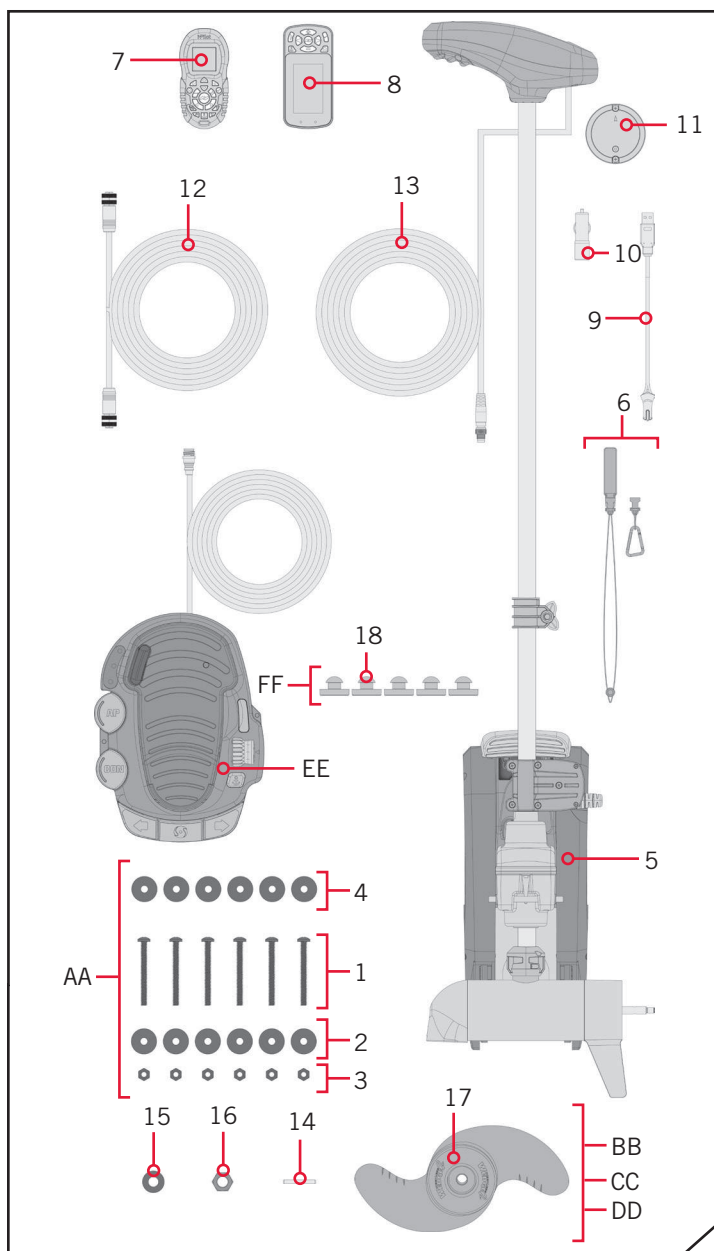
\* Cette pièce est incluse dans un ensemble et ne peut pas être commandée individuellement.

♦ Uniquement disponible avec les modèles possédant un système i-Pilot installé en usine.

● Uniquement disponible avec les modèles possédant un i-Pilot Link installé en usine.

+ Uniquement disponible avec les modèles possédant un Universal Sonar installé en usine.

➔ Uniquement disponible avec les modèles possédant un système MEGA Down Imaging intégré installé en usine.



# INSTALLATION DU TERROVA

## FACTEURS DE MONTAGE

Il est recommandé que le moteur soit monté aussi près que possible de la quille ou de l'axe du bateau. Vérifiez que la zone sous l'emplacement pour percer des trous et installer des rondelles et des écrous est dégagée. Assurez-vous que le support du moteur est positionné assez loin du bord du bateau. Le moteur ne doit rencontrer aucune obstruction lorsqu'il est dans l'eau ou relevé. Envisagez l'installation d'un support à dégagement rapide ou un adaptateur. Pour la liste complète des accessoires Minn Kota, veuillez visiter [minnkotamotors.com](http://minnkotamotors.com).



Découvrez les accessoires disponibles pour votre moteur de pêche à la traîne sur [minnkotamotors.com](http://minnkotamotors.com).

## OUTILS ET RESSOURCES NÉCESSAIRES

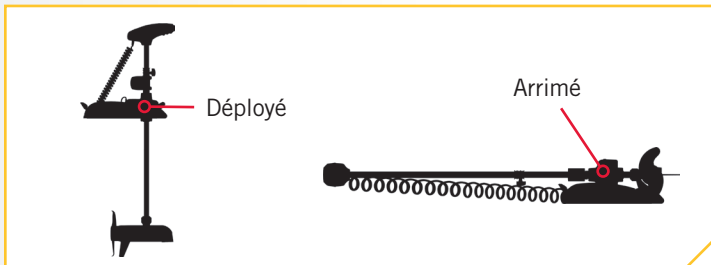
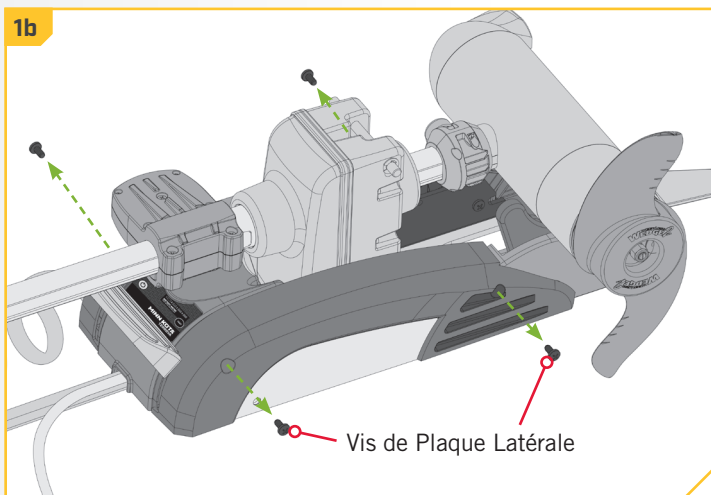
- Tournevis cruciforme n° 3
- Clé polygonale de 7/16 po (11,1 mm)
- Perceuse
- Une deuxième personne pour vous aider avec l'installation
- Mèche de 9/32 po (7,1 mm)

## INSTALLATION

### INSTALLATION DU TERROVA

1. a. Placez le support sur une surface élevée, de niveau, comme un établi ou le hayon d'une camionnette. Le moteur, lorsque retiré de la boîte, devrait être en position arrimée.  
b. Placez le support sur une surface élevée, de niveau, comme un établi ou le hayon d'une camionnette. Le moteur, lorsque retiré de la boîte, devrait être en position arrimée.

**AVIS:** Ce moteur pèse environ 65 lb (29,5 kg). Pour l'installation, nous recommandons de vous faire aider par une deuxième personne.



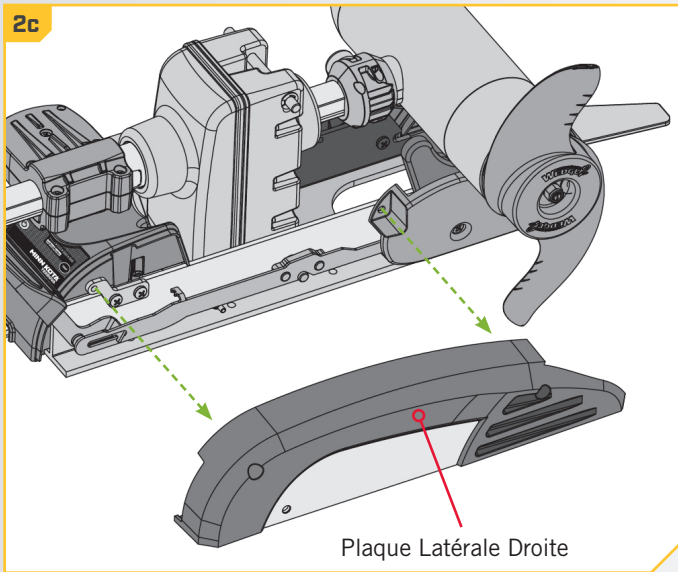


## INSTALLATION DU TERROVA

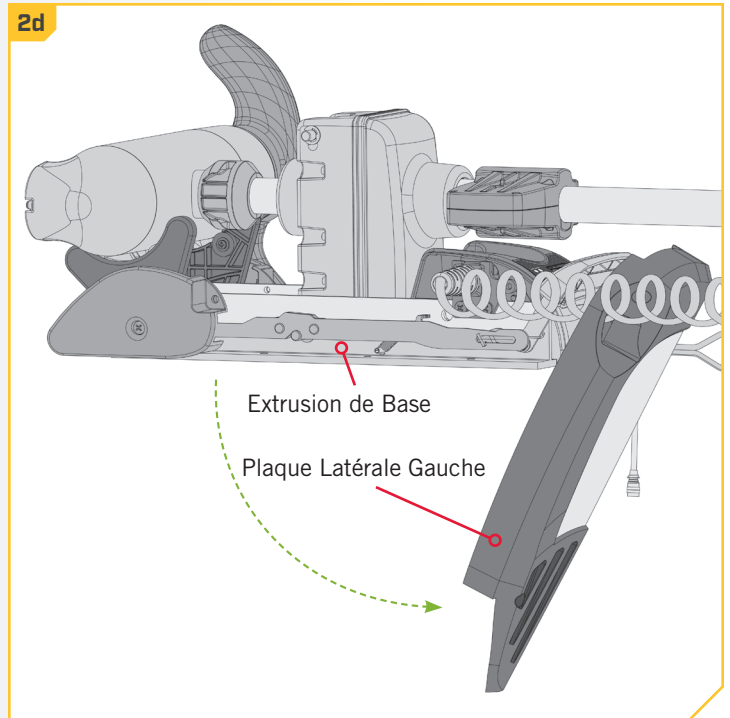
2

- c. Enlevez la plaque latérale droite.
- d. Faites pivoter la plaque latérale gauche en l'éloignant de l'extrusion de base.

2c



2d



3

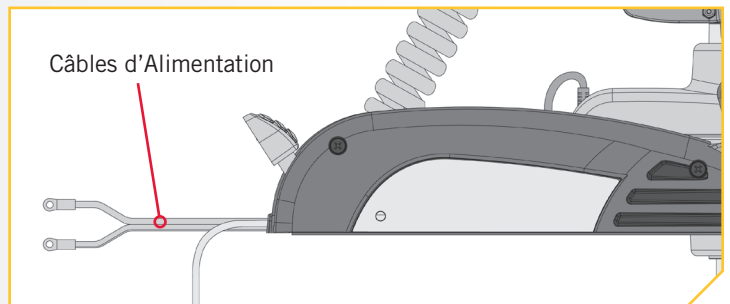
- e. Assurez-vous que les câbles d'alimentation de la batterie sont déconnectés, ou que le disjoncteur, le cas échéant, est en position "arrêt".



### AVERTISSEMENT

Assurez-vous que le moteur est installé sur une surface plane et n'est pas branché à une source d'alimentation.

Câbles d'Alimentation

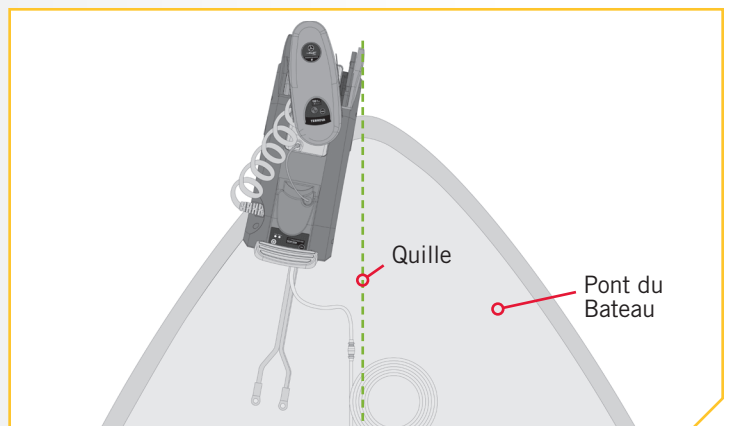


4

- f. Placez le support aussi près que possible de la quille ou de l'axe du bateau. Le moteur peut être installé soit sur le côté bâbord ou tribord du bateau, selon la préférence personnelle. Vérifiez l'emplacement avec le moteur dans la position arrimée et déployée. Relisez les facteurs de montage juste avant l'installation.

Quille

Pont du Bateau



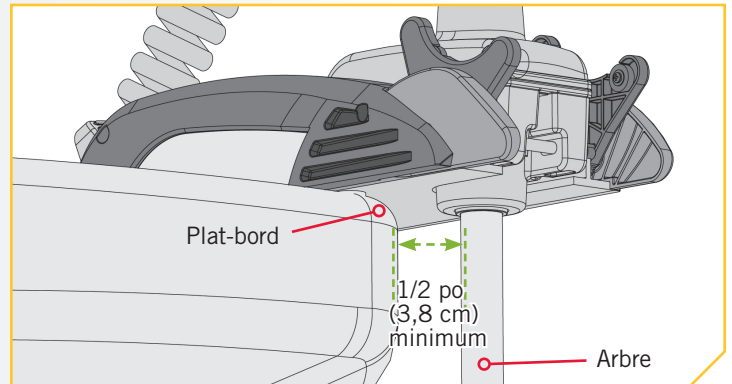
# INSTALLATION DU TERROVA

5

## ARTICLE(S) REQUIS

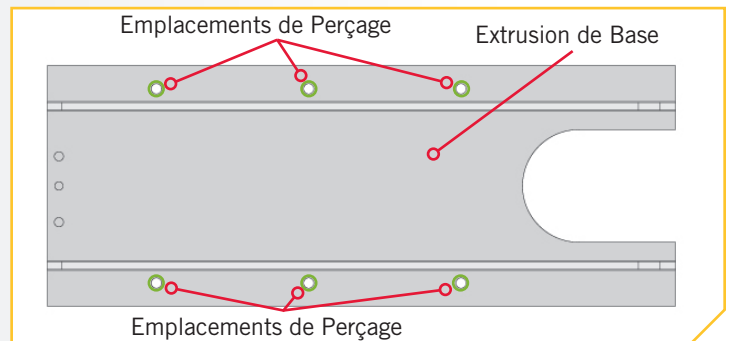
● #4 x 6

- g. Lorsque le moteur est en position déployée, veillez à ce que l'arbre dépasse le plat-bord du bateau de 1 1/2 po (3,8 cm). L'appareil inférieur lorsque arrimé et déployé ne doit pas rencontrer d'obstacles.
- h. Assurez-vous que le support est de niveau. Au besoin, utilisez les rondelles de caoutchouc (article n° 4) pour créer une surface au niveau.



6

- i. Il est recommandé de marquer au moins 4 des 6 trous dans l'extrusion de base et d'avoir au moins deux boulons de chaque côté qui sont le plus éloignés l'un de l'autre. Une installation idéale serait d'utiliser 6 boulons avec un minimum de 4.
- j. Percez le pont du bateau à l'aide d'une perceuse 9/32 po (7,1 mm) aux endroits marqués.



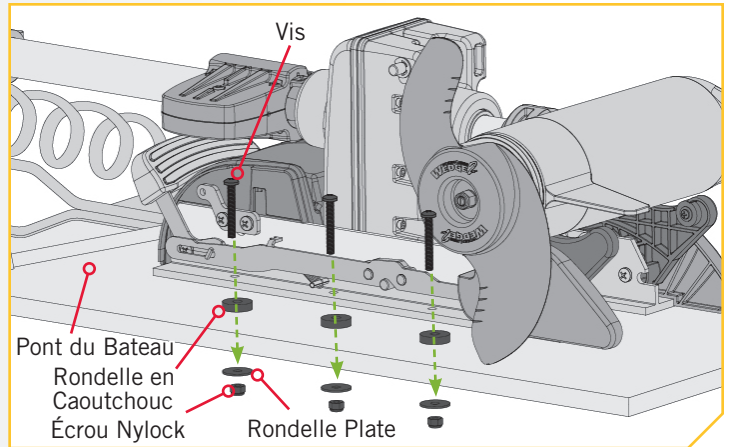
## 7

### ARTICLE(S) REQUIS

- #2 x 6
- | #1 x 6
- #3 x 6
- #4 x 6

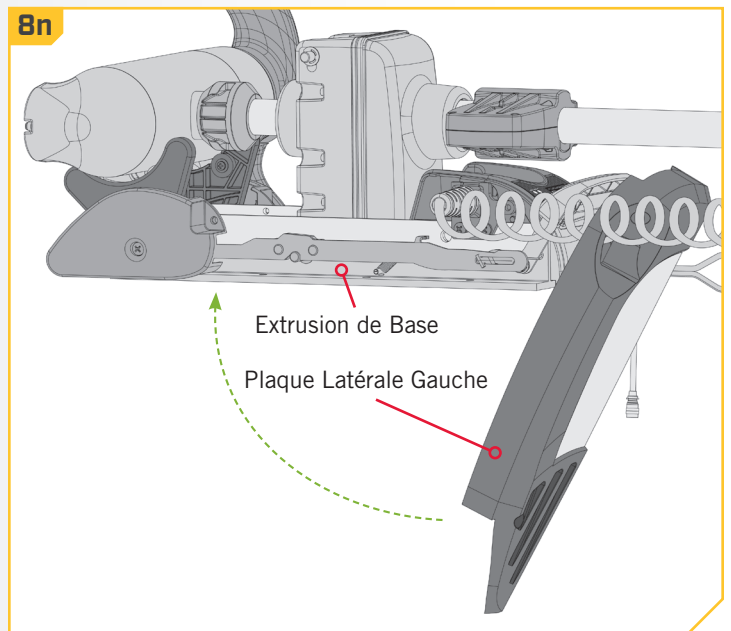
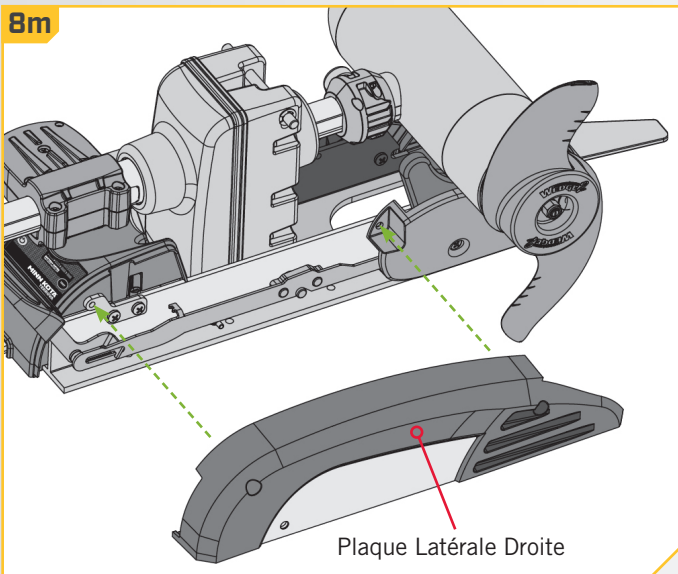
- k. Mettez une vis 1/4-20 x 2 po (6,4-20 x 50,8 mm) (article n° 1) dans chaque trou percé. La vis doit traverser l'extrusion de base et le pont du bateau. Si les rondelles en caoutchouc (article n° 4) sont utilisées, elles doivent se trouver entre l'extrusion de base et le pont du bateau. Assurez-vous de fixer le moteur avec des vis de chaque côté de l'extrusion de base.
- l. Placez une rondelle plate (article n° 2) puis un écrou Nylock (article n° 3) au bout de chaque vis comme illustré, puis serrez les écrous. Veillez à ce que toute la quincaillerie soit bien fixée.

**AVIS:** Pour prévenir le grippage de la quincaillerie en acier inoxydable, n'utilisez pas d'outils haute vitesse pour l'installation. Le fait de mouiller les vis ou d'appliquer un antigrippant peut aider à prévenir qu'elles grippent.



## 8

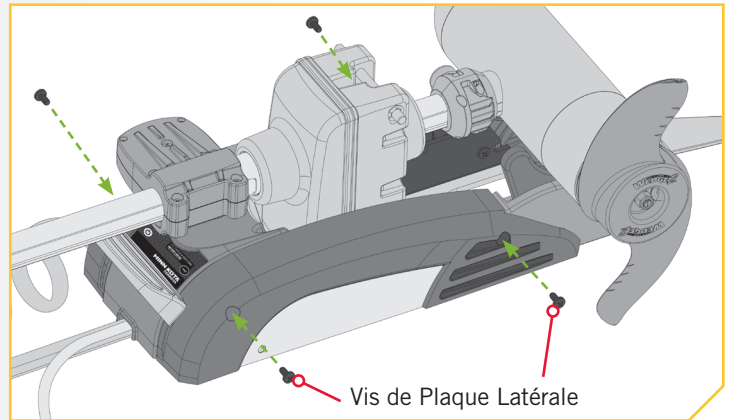
- m. Remplacez la plaque latérale droite.
- n. En la faisant pivoter, remplacez la plaque latérale gauche dans sa position appropriée sur l'extrusion de base.



# INSTALLATION DU TERROVA

9

- o. Remplacez les quatre vis de la plaque latérale en utilisant un tournevis cruciforme n° 3 ou n° 2. Deux de ces vis seront situées de chaque côté du support.



10

## ARTICLE(S) REQUIS

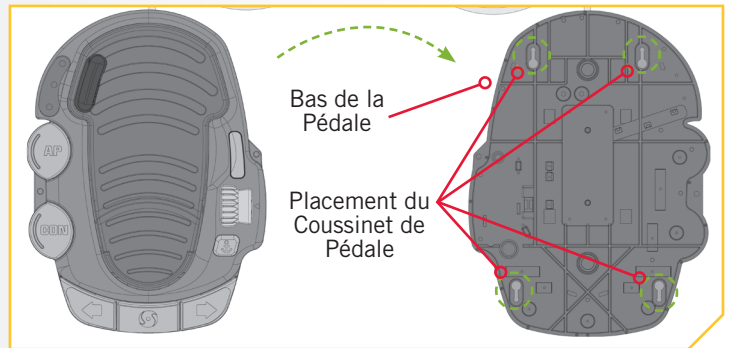
#18 x 5



#EE x 1

- p. Prenez la pédale (article n° EE) et retournez-la. Placez un coussinet de pédale (article n° 18) dans chacun des emplacements de coussinet.

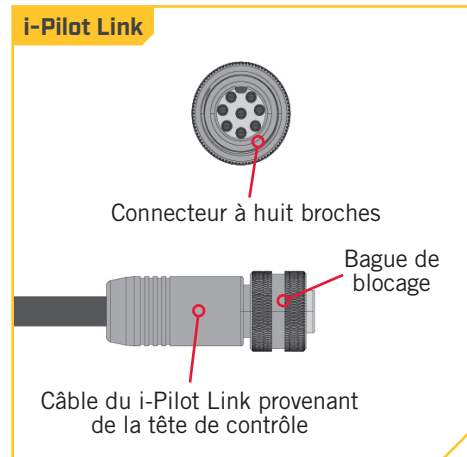
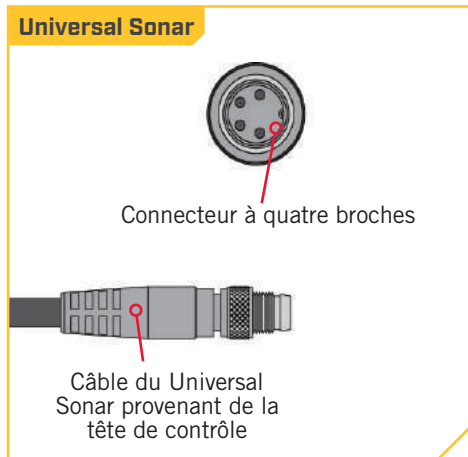
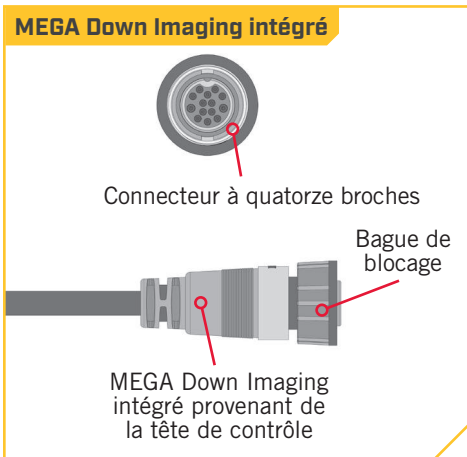
**AVIS:** les coussinets sont recommandés lors de l'utilisation de la pédale sur des surfaces n'étant pas couvertes de tapis.



# IDENTIFICATION DES CARACTÉRISTIQUES DU MOTEUR DE PÊCHE À LA TRAÎNE AU MOYEN DES CÂBLES QUI Y SONT ASSOCIÉS

## IDENTIFICATION DES CARACTÉRISTIQUES DU MOTEUR DE PÊCHE À LA TRAÎNE AU MOYEN DES CÂBLES QUI Y SONT ASSOCIÉS

Votre moteur de pêche à la traîne pourrait posséder un système MEGA Down Imaging intégré OU Universal Sonar, et peut également être doté du i-Pilot Link. Toutes ces caractéristiques exigent la connexion des câbles à un dispositif de sortie. Ces connexions se trouvent sur le moteur de pêche à la traîne et disposent de câbles qui sortent sous la tête de contrôle. Afin de mieux identifier les câbles, consultez les diagrammes ci-dessous qui indiquent à quoi ressemblent les connecteurs de câble du MEGA Down Imaging intégré, de l'Universal Sonar et du i-Pilot Link.



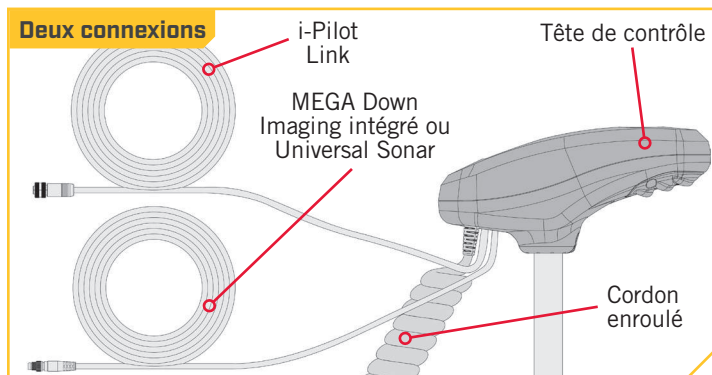
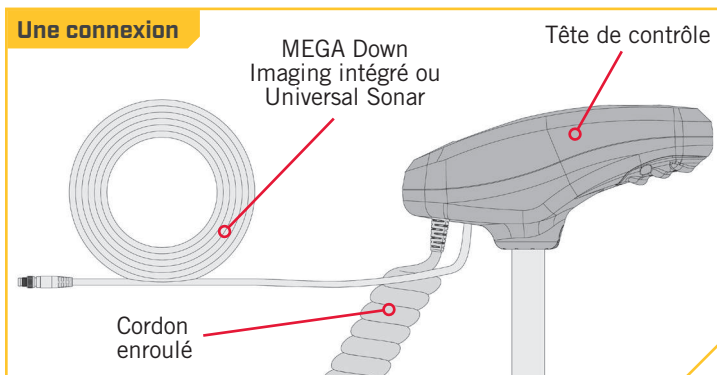
Si **une** connexion est présente sous la tête de contrôle, il se peut que le moteur soit doté du :

1. i-Pilot et du Universal Sonar,
2. i-Pilot et du MEGA Down Imaging intégré,
3. UNIQUEMENT du Universal Sonar, ou
4. UNIQUEMENT du MEGA Down Imaging intégré.

**AVIS :** Le système i-Pilot ne dispose d'aucune connexion externe câblée.

Si **deux** connexions sont présentes sous la tête de contrôle, il se peut que le moteur soit doté du :

1. i-Pilot Link et du Universal Sonar ou
2. i-Pilot Link et du MEGA Down Imaging intégré



## ACHEMINEMENT DES CÂBLES DE CONNEXION

Veillez respecter ces instructions pour l'acheminement de tout câble présent pour l'une ou l'autre des caractéristiques installées d'avance livrées avec votre moteur de pêche à la traîne. Cet acheminement doit être respecté qu'il n'y ait qu'un ou deux câbles de connexion. Si vous n'êtes pas certain du nombre de câbles présent, consultez la section « Identification des caractéristiques du moteur de pêche à la traîne au moyen des câbles qui y sont associés » des présentes instructions d'installation.



# ACHEMINEMENT DES CÂBLES DE CONNEXION

1

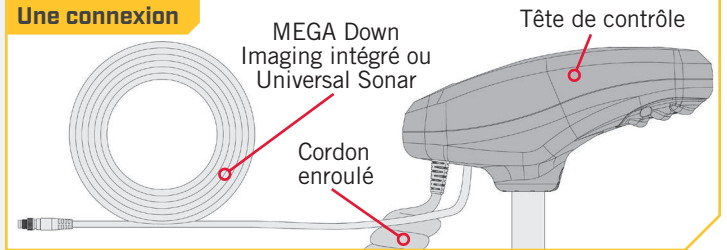
- Placez le moteur dans la position déployée.
- Localisez le(s) câble(s) du MEGA Down Imaging intégré, du i-Pilot Link et/ou de l'Universal Sonar à la base de la tête de contrôle.

## ATTENTION

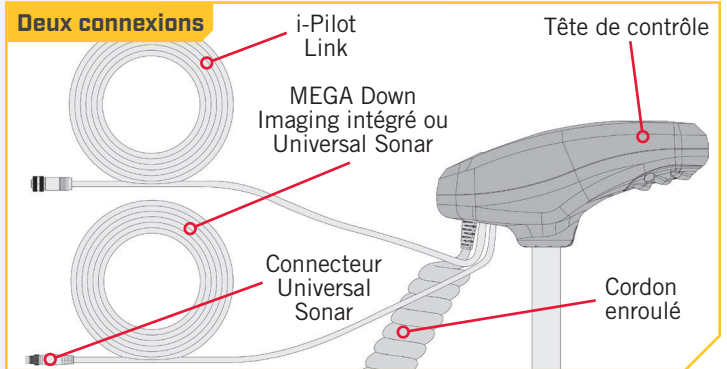
Le défaut de respecter l'acheminement des fils recommandé pour le(s) câble(s) du MEGA Down Imaging intégré, du i-Pilot Link et/ou de l'Universal Sonar, si ainsi équipé, peut endommager le produit et annuler sa garantie. Acheminez les câbles en évitant les points de pincement et les autres zones qui pourraient faire en sorte que les câbles soient pliés à des angles aigus. Effectuer l'acheminement des câbles d'une toute autre façon que celle dictée peut entraîner des dommages aux câbles par un pincement ou sectionnement.

**AVIS :** Connecteur d'Universal Sonar présenté à des fins d'illustration.

### Une connexion



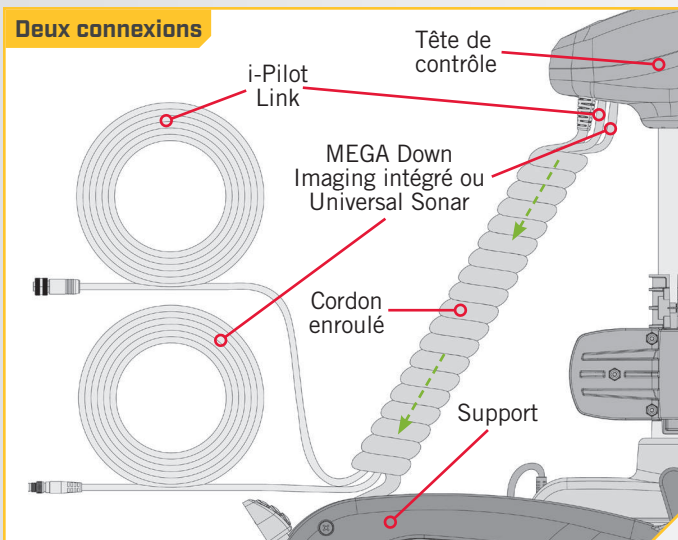
### Deux connexions



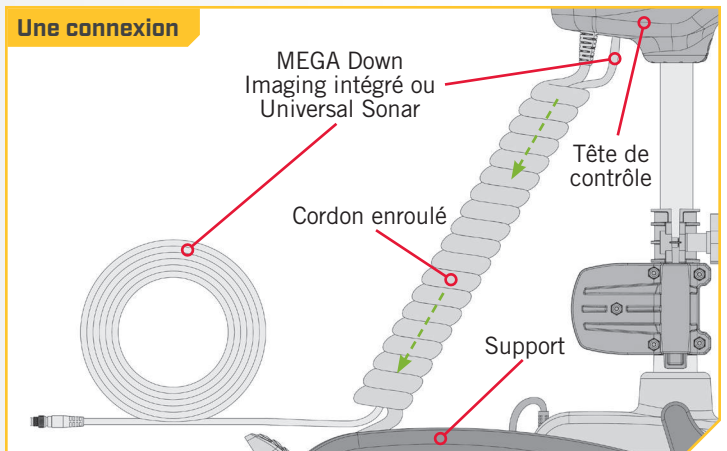
2

- Le(s) câble(s) doit ou doivent cheminer de part en part du cordon enroulé. Il(s) doit ou doivent sortir du cordon enroulé au bas de ce dernier, où il se connecte au support.

### Deux connexions



### Une connexion



**AVIS :** Après la sortie du ou des câble(s) du cordon enroulé, il(s) doit ou doivent être acheminé(s) au moyen d'un système d'acheminement établi sur le bateau, dans une zone offrant un minimum d'interférences. Câbles électriques ou autres éléments pouvant créer une interférence dans les signaux du sonar. Inspectez bien le chemin planifié pour vous assurer qu'il n'y a pas d'arêtes vives, d'obstacles ou d'obstructions qui pourraient endommager les câbles.



# APERÇU DES CARACTÉRISTIQUES ET CONNEXION DES CÂBLES

## APERÇU DES CARACTÉRISTIQUES ET CONNEXION DES CÂBLES

Le(s) câble(s) provenant de la tête de contrôle pour chaque caractéristique installée sur le moteur de pêche à la traîne est ou sont connecté(s) séparément à un dispositif de sortie. Une fois les caractéristiques installées identifiées, suivez les instructions ci-dessous pour vous assurer de la connexion appropriée du ou des câble(s).

### › MEGA Down Imaging intégré

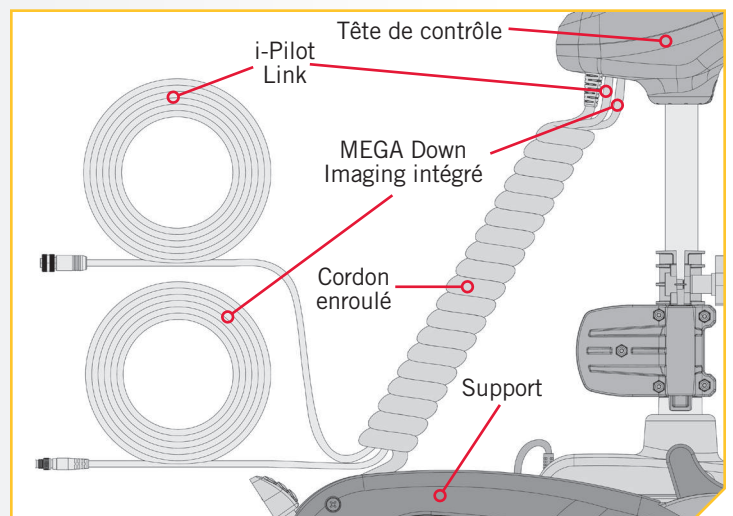
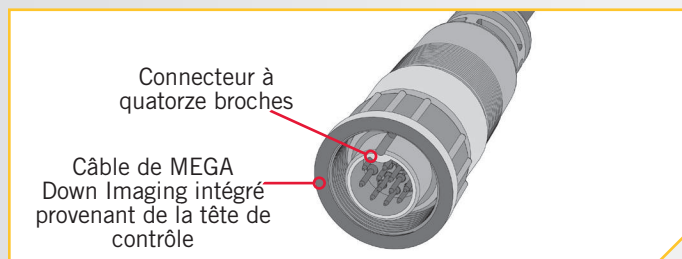
Le MEGA Down Imaging intégré est presque trois fois plus puissant que le Side Imaging® standard et dote la détection de poissons de sa toute première fréquence mégahertz. Les gammes de moteurs de pêche à la traîne Minn Kota haut de gamme, dont Ultrex, Ulterra, Terrova et Fortrex, possèdent maintenant le sonar MEGA Down Imaging intégré, l'imagerie la plus nette offerte uniquement par Humminbird. Grâce au sonar d'imagerie MEGA de Humminbird incorporé au moteur de pêche à la traîne, vous disposez maintenant d'une vue cristalline de tout ce qui se situe immédiatement sous le bateau sans avoir à gérer le câblage des transducteurs externes. Le transducteur MEGA Down Imaging (DI) intégré est offert uniquement sur les nouveaux modèles équipés à l'usine et ne peut être installé sur un moteur de pêche à la traîne existant.

Le transducteur MEGA DI intégré offrira à la fois le sonar MEGA Down Imaging et le sonar numérique 2D CHIRP à des modèles Humminbird particuliers. Tous les moteurs de pêche à la traîne avec MEGA DI intégré seront livrés « prêts pour Solix ». Vous pouvez acheter un câble adaptateur accessoire (MKR-MDI-1 1852085 ou MKR-MDI-2 1852086), qui permettra la connexion de tout détecteur de poissons Humminbird Helix compatible. Le MKR-MDI-1 est compatible avec les modèles Helix 8, 9, 10 et 12. Le MKR-MDI-2 est compatible uniquement avec le modèle Humminbird Helix 7. Consultez le tableau de [compatibilité MEGA Down Imaging intégré](#) en ligne.

**AVIS :** Vous ne pouvez afficher le MEGA Down Imaging qu'avec un modèle de série MEGA DI ou MEGA SI HELIX G2N ou G3N et un adaptateur requis, ou tout modèle de série SOLIX. Le transducteur intégré ne permet pas de transmettre le MEGA Down Imaging aux modèles Humminbird qui ne disposent pas déjà de cette fonctionnalité. Si vous disposez d'un modèle HELIX G2/ G2N ou G3/G3N autre que MEGA SI ou MEGA DI, vous devrez opter pour un sonar numérique 2D CHIRP avec le transducteur. Les modèles HELIX G1 et les autres marques de détecteurs de poissons ne prennent pas en charge le MEGA DI intégré.

1

- Placez le moteur dans la position déployée.
- Le connecteur du MEGA Down Imaging intégré provenant de la tête de contrôle présente quatorze broches. Le MEGA Down Imaging intégré peut être installé seul ou conjointement avec un système i-Pilot ou i-Pilot Link. Il ne sera jamais installé avec un Universal Sonar. Localisez et identifiez la connexion appropriée pour le(s) câble(s) MEGA Down Imaging intégré, à la base de la tête de contrôle.



**AVIS :** Acheminement critique des câbles pour les moteurs 72" et 60" avec i-Pilot Link et MEGA Down Imaging intégré. Les câbles accessoires doivent sortir du cordon enroulé en laissant au moins trois enroulements ouverts entre la sortie des câbles et la base du moteur; tel qu'assemblé par l'usine. En acheminant les câbles de toute autre manière, le moteur ne pourra pas être rangé correctement.

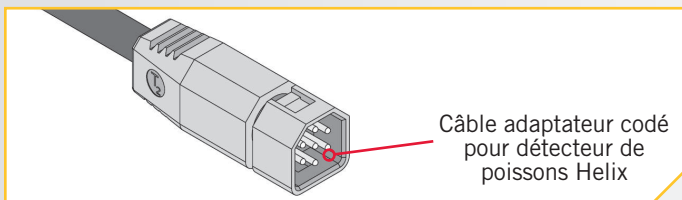
# APERÇU DES CARACTÉRISTIQUES ET CONNEXION DES CÂBLES

2

- c. **Lors d'une installation avec un Solix**, vous pouvez brancher directement le câble du MEGA Down Imaging intégré sur le détecteur de poissons Solix. Branchez le câble de MEGA Down Imaging intégré sur la connexion correspondante du détecteur de poissons Solix.
- d. **Lors d'une installation avec un Helix**, fixez d'abord le câble adaptateur et branchez-le ensuite sur le détecteur de poissons Helix. Le câble adaptateur ne présentera qu'une seule connexion codée à l'arrière du détecteur de poissons Helix. Branchez le câble adaptateur sur la seule connexion codée assortie.

**AVIS :** Vérifiez la compatibilité de tout câble adaptateur nécessaire sur [minnkotamotors.com](http://minnkotamotors.com). Le câble provenant du moteur de pêche à la traîne peut être prolongé à l'aide d'une rallonge de 10 pi (env. 3 m), n° 720081-1 ou de 30 pi (env. 9 m), n° 720081-2 offerte sur [humminbird.com](http://humminbird.com).

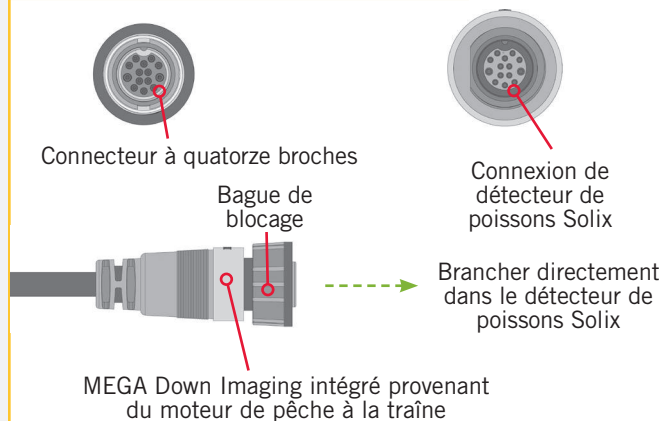
**AVIS :** Si vous devez acheminer un ou des câble(s), veuillez respecter les directives de la section Acheminement des câbles de connexion des présentes instructions d'installation.



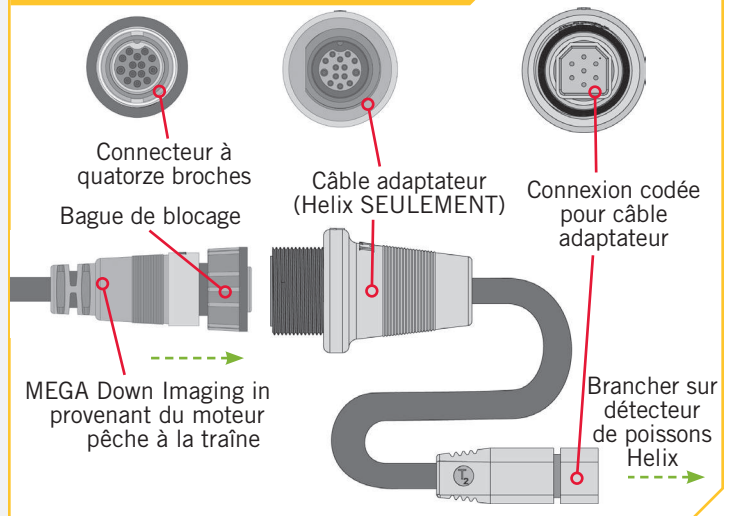
**AVIS :** Les connecteurs sont codés pour empêcher une installation en sens inverse.

**AVIS :** Le MEGA Down Imaging intégré est toujours jumelé avec un système i-Pilot ou i-Pilot Link sur les moteurs Terrova, Ulterra et Ultrex. Il peut être installé d'avance sur un moteur Fortrex sans les caractéristiques qui exigent une connexion externe.

## Détecteur de poissons Humminbird Solix



## Détecteur de poissons Humminbird Helix



## › Universal Sonar

Un système de transducteur Universal Sonar peut être préinstallé sur votre moteur de pêche à la traîne. Le Universal Sonar est un transducteur sonar 2D, doté d'un capteur de température intégré dans le module inférieur du moteur de pêche à la traîne. Il se caractérise par une fréquence de fonctionnement de 83/200 kHz. La connexion de ce transducteur à un détecteur de poissons compatible vous offre une vue sonar 2D de ce qui se passe directement sous votre moteur de pêche à la traîne. La conception intégrée protège le transducteur des risques subaquatiques et empêche les torsions et les dommages causés aux câbles du transducteur.

## APERÇU DES CARACTÉRISTIQUES ET CONNEXION DES CÂBLES

Tous les moteurs Universal Sonar sont équipés d'un fil de masse interne. Un mauvais raccordement risque de causer des interférences avec d'autres sonars et peut endommager votre moteur de pêche à la traîne, les composants électroniques ou les autres accessoires de votre bateau. Afin de réduire les interférences causées par le moteur électrique, assurez-vous que le détecteur de poissons et le moteur électrique sont actionnés par des batteries indépendantes. Veuillez vous reporter aux sections sur l'Installation de la batterie et du câblage et Câblage du moteur dans le présent manuel pour des directives sur le raccordement.

Les câbles de l'Universal Sonar sont blindés de sorte à réduire les interférences. Afin de protéger ce blindage, il est recommandé de ne pas serrer fermement les câbles contre des coins vifs ni des objets durs. Si des attaches de câble sont utilisées, évitez de trop serrer. Tout surplus de câble devrait être enlacé en une boucle lâche d'au moins 4 po (10 cm) de diamètre. Dans certains cas, des bulles d'air peuvent adhérer à la surface du transducteur Universal Sonar et avoir une incidence sur le rendement. Si cela se produit, essayez simplement la surface du transducteur à l'aide de votre doigt.

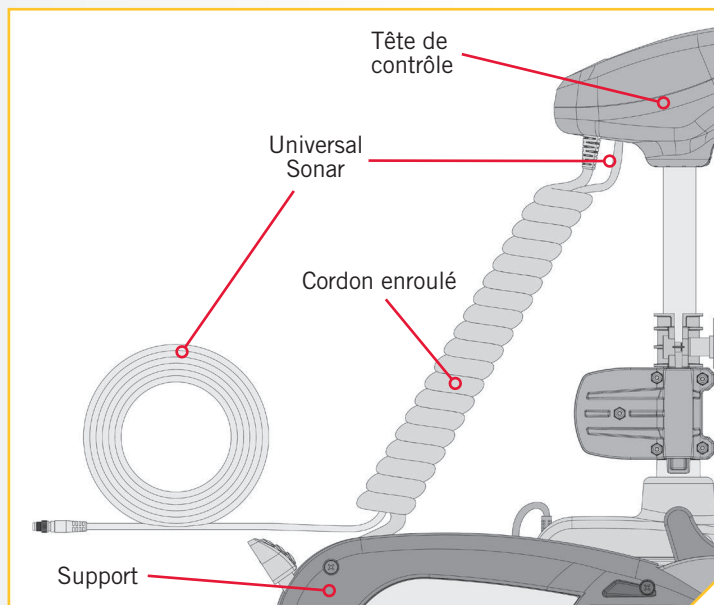
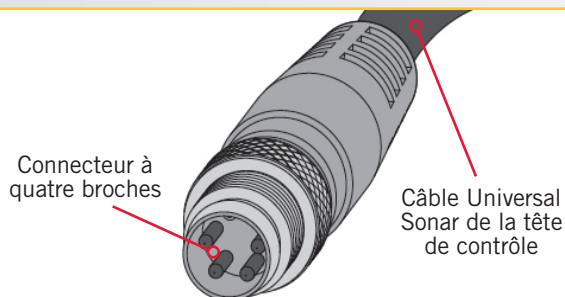
**AVIS :** L'Universal Sonar ne prend pas en charge les écrans d'imagerie qui nécessitent des fréquences supérieures telles que 455 kHz ou 800 kHz (Down Imaging, Side Imaging, etc.). Les modules spécifiques au « Down Imaging » (DI) ne sont pas compatibles avec l'Universal Sonar. Consultez le tableau de compatibilité publié à [minnkotamotors.com](http://minnkotamotors.com) pour une énumération de détecteurs de poissons compatibles.

Le connecteur du Universal Sonar sort sous la tête de contrôle du moteur de pêche à la traîne et est composé d'une fiche à quatre broches. Toutes les installations exigent un câble adaptateur (MKR-US2) vendu séparément. Pour obtenir une liste à jour des détecteurs de poissons compatibles et pour connaître le câble adaptateur approprié, ou pour obtenir de plus amples renseignements sur l'Universal Sonar, veuillez visiter [minnkotamotors.com](http://minnkotamotors.com).

1

- Placez le moteur dans la position déployée.
- Localisez l'Universal Sonar à la base du montage, le cas échéant.
- Trouvez le connecteur à quatre broches de l'Universal Sonar à l'extrémité de la rallonge de l'Universal Sonar. Le connecteur est noir et est doté d'une bague de blocage fileté en acier inoxydable.

**AVIS :** Votre détecteur de poissons doit être éteint jusqu'à ce que cette procédure soit terminée.



**AVIS :** Si la longueur du câble n'est pas suffisante pour atteindre l'emplacement désiré du détecteur de poissons, une rallonge d'une longueur de 14,5 pi (4,3 m) est offerte (MKR-US2-11) (vendue séparément).

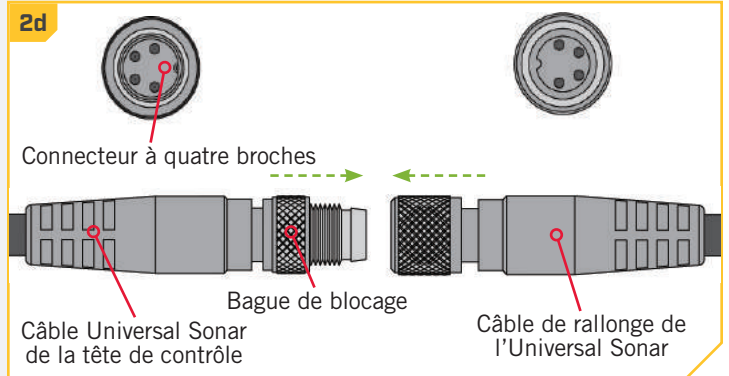
# APERÇU DES CARACTÉRISTIQUES ET CONNEXION DES CÂBLES

2

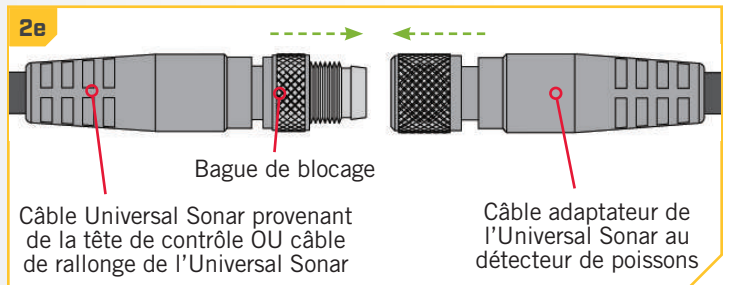
**AVIS :** Le câble de l'Universal Sonar pourrait ne pas être assez long pour atteindre le détecteur de poissons. Si le câble n'atteint pas l'emplacement d'installation voulu du détecteur de poissons, vous pouvez acheter une rallonge de 14,5 pi (4,42 m). Minn Kota recommande d'utiliser le MKR-US2-11.

- d. Si nécessaire, branchez le câble de rallonge de l'Universal Sonar sur le câble Universal Sonar provenant de la tête de contrôle. Raccordez fermement les fiches et tournez le mécanisme de verrouillage jusqu'à ce qu'il bloque.
- e. Installez le câble Universal Sonar provenant de la tête de contrôle, ou le câble de rallonge de l'Universal Sonar (si utilisé), au câble adaptateur approprié de l'Universal Sonar. Installez le câble adaptateur sur votre détecteur de poissons. Consultez le manuel de votre détecteur de poissons pour les directives d'installation complètes.

**AVIS :** Les connecteurs sont codés pour empêcher une installation en sens inverse.



**AVIS :** Si vous devez acheminer un ou des câble(s), veuillez respecter les directives de la section Acheminement des câbles de connexion des présentes instructions d'installation.



## › i-Pilot Link

L'i-Pilot Link permet à votre moteur de pêche à la traîne Minn Kota et Humminbird de communiquer ensemble afin de modifier votre méthode de pêche. L'i-Pilot Link offre une grande gamme de capacités GPS, dont contrôle de la vitesse, direction, Spot-Lock, ainsi que la capacité d'enregistrer ou de reproduire des itinéraires aquatiques, toutes du bout des doigts. Pour en savoir plus sur les capacités GPS offertes avec votre système de navigation i-Pilot Link, veuillez consulter le manuel du propriétaire en visitant [minnkotamotors.com](http://minnkotamotors.com).

Le contrôleur et la télécommande i-Pilot Link constituent le système de navigation i-Pilot Link. La télécommande i-Pilot Link est couplée contrôleur en usine. Le contrôleur i-Pilot Link contient une boussole très sensible et assure la réception de tous les signaux des satellites GPS et de la télécommande i-Pilot Link. Le contrôleur i-Pilot Link est intégré à la tête de contrôle du moteur de pêche à la traîne et est connecté à un détecteur de poissons par un câble de connexion provenant de la tête de contrôle.

**AVIS :** Le système i-Pilot Link nécessite une connexion externe câblée. Le système i-Pilot n'a pas besoin d'une connexion externe câblée.

Le câble Ethernet pour le système i-Pilot Link possède un connecteur à huit broches. Le système i-Pilot Link peut être connecté directement au Humminbird ou au commutateur Ethernet Humminbird (facultatif). Si vous achetez un commutateur Ethernet, installez-le conformément aux instructions incluses dans le guide d'installation Ethernet. La rallonge Ethernet est facultative pour votre installation. Pour acheter des commutateurs Ethernet, des câbles Ethernet et des rallonges, visitez [humminbird.com](http://humminbird.com) ou téléphonez au service à la clientèle Humminbird au 1 800 633-1468. Selon la forme du port Ethernet de votre détecteur de poissons Humminbird, un câble adaptateur Ethernet supplémentaire (**câble adaptateur Ethernet AS EC QDE n° 720074-1 pour les détecteurs de poissons Helix**) peut être nécessaire pour l'installation. Consultez le manuel d'utilisation de votre détecteur de poissons, ou consultez le [tableau de compatibilité du i-Pilot Link](#) sur notre site Web, qui énumère toutes les unités Humminbird et cartes SC compatibles.

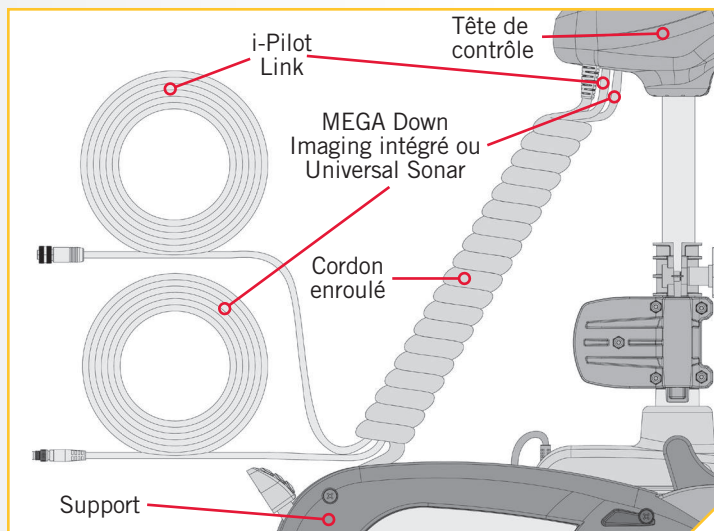
# APERÇU DES CARACTÉRISTIQUES ET CONNEXION DES CÂBLES

1

- Placez le moteur dans la position déployée.
- Le connecteur du i-Pilot Link provenant de la tête de contrôle possède huit broches. Localisez et identifiez la connexion appropriée pour l'i-Pilot Link à la base de la tête de contrôle.

**AVIS :** L'i-Pilot Link sera apparié soit avec le MEGA Down Imaging intégré ou l'Universal Sonar sur les moteurs Ultrex, Ultrera ou Terrova. La caractéristique i-Pilot Link n'est pas offerte sur les moteurs Fortrex.

**AVIS :** Acheminement critique des câbles pour les moteurs 72" et 60" avec i-Pilot Link et MEGA Down Imaging intégré. Les câbles accessoires doivent sortir du cordon enroulé en laissant au moins trois enroulements ouverts entre la sortie des câbles et la base du moteur; tel qu'assemblé par l'usine. En acheminant les câbles de toute autre manière, le moteur ne pourra pas être rangé correctement.



**AVIS :** Apparié à un connecteur d'Universal Sonar à des fins d'illustration. Il peut plutôt exister un connecteur de MEGA Down Imaging intégré.

2

## ARTICLE(S) REQUIS

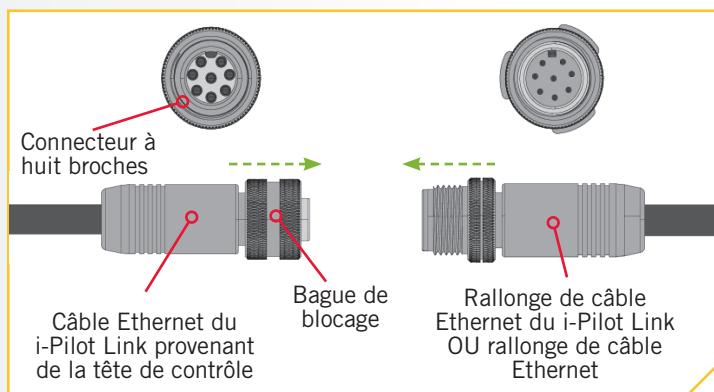


#12 x 1

- Si nécessaire pour atteindre le détecteur de poissons, fixez le câble Ethernet du i-Pilot Link (article n° 12) sur le câble i-Pilot Link provenant de la tête de contrôle.

**AVIS :** Si vous devez acheminer un ou des câble(s), veuillez respecter les directives de la section Acheminement des câbles de connexion des présentes instructions d'installation.

- Branchez le câble Ethernet du i-Pilot Link directement sur le détecteur de poissons Humminbird, ou consultez la notice d'installation de votre détecteur de poissons pour les directives d'installation complètes. Si un câble adaptateur (câble adaptateur Ethernet AS EC QDE pour les détecteurs de poissons Helix) s'avère nécessaire, branchez-le sur l'extrémité du câble Ethernet du i-Pilot Link et consultez la notice d'installation de votre détecteur de poissons pour les directives d'installation complètes.



**AVIS :** Les connecteurs sont codés pour empêcher une installation en sens inverse.



# INSTALLATION DE L'HÉLICE

## INSTALLATION DE L'HÉLICE

1

### ARTICLE(S) REQUIS

 #17 x 1  #15 x 1  #16 x 1 | #14 x 1

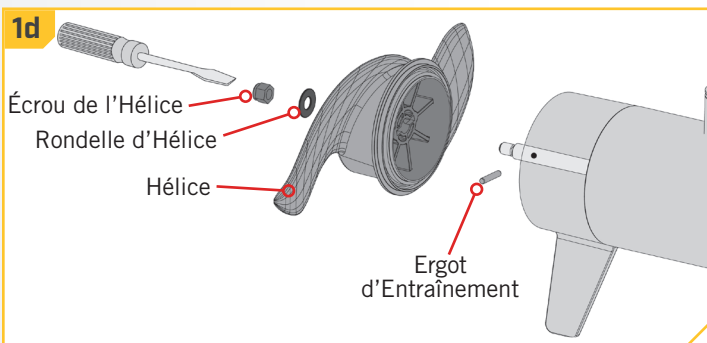
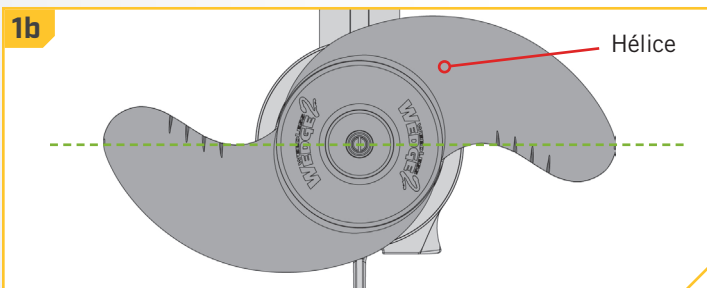
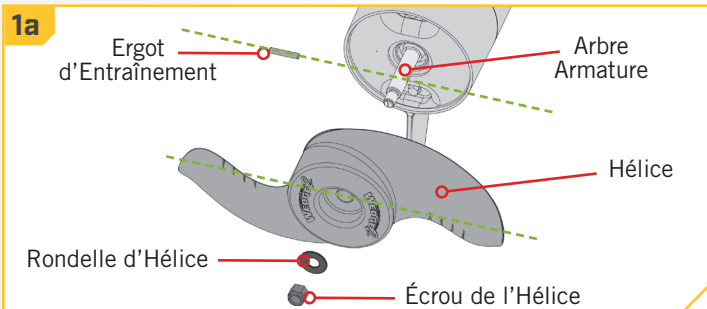
### ATTENTION

Débranchez le moteur de la batterie avant d'effectuer tout travail ou entretien sur l'hélice.

- Prenez l'ergot d'entraînement (Article n° 14) et glissez-le dans l'orifice de l'arbre d'armature. Placez l'ergot d'entraînement à l'horizontale en saisissant l'arbre d'armature et en le tournant avec l'ergot d'entraînement en place.
- Alignez l'hélice (Article n° 17) de manière à ce qu'elle soit à l'horizontale et parallèle à l'ergot d'entraînement. Glissez l'hélice sur l'arbre d'armature et l'ergot d'entraînement jusqu'à ce qu'elle repose contre l'appareil inférieur.
- Installez la rondelle de l'hélice (Article n° 15) et l'écrou de l'hélice (Article n° 16) sur l'extrémité de l'arbre d'armature.
- En tenant l'extrémité de l'arbre d'armature avec un tournevis à lame plate, serrez l'écrou de l'hélice avec une clé plate 9/16 po (14,29 cm).
- Serrez l'écrou d'hélice 1/4 de tour passé le serrage confortable à 25-35 po lb (2,8-4 Nm).

### ATTENTION

Ne pas trop serrer pour ne pas endommager l'hélice.





# INSTALLATION DES BATTERIES ET DU CÂBLAGE

## GRÉEMENT DE L'EMBARCATION ET INSTALLATION DU PRODUIT

Pour des raisons de sécurité et de conformité, nous vous recommandons de suivre les normes du conseil américain sur les embarcations et les yachts (ABYC) pour le gréement de l'embarcation. Les altérations dans le câblage de l'embarcation devraient être complétées par un technicien de marine qualifié. Les spécifications suivantes sont seulement des lignes directrices générales:

### ⚠ ATTENTION

Ces lignes directrices s'appliquent au gréement général pour soutenir le moteur de Minn Kota. L'alimentation de multiples moteurs ou d'autres appareils électriques, à partir du même circuit d'alimentation, peut influencer sur le gabarit de conducteurs et le dimensionnement des disjoncteurs recommandé. Pour un fil plus long que celui fourni avec l'appareil, suivre le tableau de dimensionnement de gabarit des conducteurs et des disjoncteurs du tableau ci-dessous. Si la longueur totale de la rallonge est de plus de 25 pi (7,60 m), nous vous recommandons de communiquer avec un technicien maritime qualifié.

### ⚠ ATTENTION

**Un dispositif de protection contre la surintensité (disjoncteur ou fusible) doit être utilisé.** Les préalables de la garde côtière exigent que chaque conducteur de courant, qui n'est pas fixé, soit protégé par un fusible ou un disjoncteur qui se réinitialise manuellement et qui ne peut se déclencher automatiquement. Le dimensionnement du type (courant et tension de puissance nominale) de fusible ou de disjoncteur doit être choisi en fonction du propulseur électrique utilisé. Le tableau ci-dessous donne les lignes directrices recommandées pour ce qui est du dimensionnement des disjoncteurs.

## TABLEAU DES DIMENSIONS DE GABARIT DES CONDUCTEURS ET DISJONCTEURS

Le présent tableau des dimensions de gabarit des conducteurs et disjoncteurs est uniquement valable pour les hypothèses suivantes:

1. Il n'y a pas plus de 2 conducteurs qui sont regroupés à l'intérieur d'une gaine ou d'un conduit à l'extérieur de l'espace moteur.
2. Chaque conducteur est muni d'un isolant d'une température nominale de 105 °C.
3. Aucune chute de tension de plus de 5 % n'est autorisée lorsque le moteur est à plein régime, en fonction des exigences en matière d'alimentation du produit qui ont été publiées.

Modèle/ Poussée du Moteur	Courant Tiré Max	Disjoncteur	Longueur de la Rallonge				
			1.5 mètres	3 mètres	4.5 mètres	6 mètres	7.5 mètres
30 lb.	30	50 Amp @ 12 VDC	6 mm <sup>2</sup>	6 mm <sup>2</sup>	10 mm <sup>2</sup>	16 mm <sup>2</sup>	25 mm <sup>2</sup>
40 lb., 45 lb.	42		6 mm <sup>2</sup>	10 mm <sup>2</sup>	16 mm <sup>2</sup>	25 mm <sup>2</sup>	25 mm <sup>2</sup>
50 lb., 55 lb.	50	60 Amp @ 12 VDC	10 mm <sup>2</sup>	16 mm <sup>2</sup>	25 mm <sup>2</sup>	25 mm <sup>2</sup>	35 mm <sup>2</sup>
70 lb.	42	50 Amp @ 24 VDC	6 mm <sup>2</sup>	6 mm <sup>2</sup>	10 mm <sup>2</sup>	10 mm <sup>2</sup>	16 mm <sup>2</sup>
80 lb.	56	60 Amp @ 24 VDC	10 mm <sup>2</sup>	10 mm <sup>2</sup>	10 mm <sup>2</sup>	16 mm <sup>2</sup>	16 mm <sup>2</sup>
101 lb.	46	50 Amp @ 36 VDC	10 mm <sup>2</sup>	10 mm <sup>2</sup>	10 mm <sup>2</sup>	10 mm <sup>2</sup>	10 mm <sup>2</sup>
Engine Mount 101	50	60 Amp @ 36 VDC	10 mm <sup>2</sup>	10 mm <sup>2</sup>	10 mm <sup>2</sup>	10 mm <sup>2</sup>	10 mm <sup>2</sup>
112 lb.	52	60 Amp @ 36 VDC	10 mm <sup>2</sup>	10 mm <sup>2</sup>	10 mm <sup>2</sup>	10 mm <sup>2</sup>	10 mm <sup>2</sup>
Engine Mount 160	116	(2) x 60 Amp @ 24 VDC	16 mm <sup>2</sup>	16 mm <sup>2</sup>	25 mm <sup>2</sup>	35 mm <sup>2</sup>	35 mm <sup>2</sup>
E-Drive	40	50 Amp @ 48 VDC	6 mm <sup>2</sup>	6 mm <sup>2</sup>	6 mm <sup>2</sup>	6 mm <sup>2</sup>	6 mm <sup>2</sup>

**AVIS :** La longueur de la rallonge fait référence à la distance séparant les batteries des fils du propulseur électrique. Consultez le site Web pour connaître les options d'impulsion. Les valeurs d'intensité maximales ont lieu de manière intermittente durant certaines conditions et ne doivent pas être utilisées comme valeur nominale continue.

Référence  
Le code des règlements fédéraux des États-Unis : article 183 du titre 33 du CFR - Embarcations et équipements associés ABYC E-11 : systèmes électriques CA et CC sur les embarcations.

## COMMENT SÉLECTIONNER LES BATTERIES ADÉQUATES



### COMMENT SÉLECTIONNER LES BATTERIES ADÉQUATES

Le moteur fonctionnera avec toute batterie marine plomb/acide à décharge profonde de 12 volts. Pour un meilleur résultat, utilisez une batterie marine à décharge profonde avec ampérage nominal d'au moins 105 ampères/heure. Maintenez la batterie complètement chargée. Un entretien adéquat fera en sorte que le courant sera disponible le moment venu et améliorera considérablement la durée de vie de la batterie. Le fait de ne pas recharger les batteries au plomb (dans les 12 à 24 heures) est la principale cause de défaillance prématurée de celles-ci. Utilisez un chargeur multiphase pour éviter une surcharge. Nous offrons une vaste sélection de chargeurs en fonction de vos besoins. Si vous utilisez une batterie à manivelle pour démarrer un moteur hors-bord à essence, nous vous recommandons d'utiliser des batteries marines à décharge profonde séparées pour votre propulseur électrique Minn Kota. Pour de plus amples informations sur la sélection et le gréement de batterie, veuillez visiter [minnkotamotors.com](http://minnkotamotors.com).



### AVERTISSEMENT

Ne jamais brancher les bornes (+) et (-) de la même batterie ensemble. S'assurer qu'aucun objet métallique ne puisse tomber sur la batterie et provoquer un court-circuit aux bornes. Cela provoquerait immédiatement un court-circuit et un risque extrême d'incendie.



### ATTENTION

Il est fortement recommandé d'utiliser un disjoncteur ou un fusible avec ce propulseur électrique. Consulter le « Tableau des dimensions de gabarit des conducteurs et disjoncteurs » dans la section précédente pour trouver le disjoncteur ou fusible approprié convenant à votre moteur. Pour les moteurs nécessitant un disjoncteur de 60-A, le disjoncteur Minn Kota MKR-19 60-A est recommandé.



### ATTENTION

Veuillez lire les renseignements suivants avant de connecter votre moteur à vos batteries afin d'éviter d'endommager votre moteur ou d'annuler votre garantie.

## AUTRES POINTS À CONSIDÉRER

### › Utilisation de chargeurs-onduleurs

Votre moteur de pêche à la traîne Minn Kota peut être conçu avec un fil de masse interne pour réduire les interférences avec d'autres sonars. La plupart des systèmes de charge alternateurs ne tiennent pas compte de ce fil de masse et connectent les bornes négatives des batteries du moteur de pêche à la traîne aux bornes négatives de la batterie à manivelle/de démarrage. Ces connexions externes peuvent endommager les composants électroniques connectés ou le système électrique de votre moteur de pêche à la traîne et ainsi annuler votre garantie. Passez attentivement en revue le manuel de votre chargeur ou consultez son fabricant afin de vous assurer que votre chargeur est compatible avant de l'utiliser.

Minn Kota recommande l'utilisation de chargeurs de marque Minn Kota pour recharger les batteries connectées à votre propulseur électrique Minn Kota, étant donné qu'ils ont été conçus de sorte à fonctionner avec les moteurs dotés d'un fil de masse.

### › Accessoires Supplémentaires Connectés aux Batteries du Propulseur électrique

Votre moteur Minn Kota, les composants électroniques de votre bateau ou votre bateau peuvent subir des dommages importants si de mauvaises connexions ont été effectuées entre les batteries de votre propulseur électrique et un autre système de batterie. Minn Kota recommande d'utiliser un système de batterie exclusif pour votre propulseur électrique. Lorsque possible, les accessoires doivent être branchés sur un système de batterie séparé. Les radios et les sonars ne doivent être connectés à aucune batterie du propulseur



# SYSTÈMES DE DÉMARRAGE D'APPOINT ET COMMUTATEURS

électrique étant donné que les interférences provenant du propulseur électrique sont inévitables. Lorsque vous connectez un accessoire supplémentaire à l'une des batteries du propulseur électrique, ou lorsque vous effectuez des connexions entre les batteries du propulseur électrique et d'autres systèmes de batterie sur le bateau, assurez-vous de respecter attentivement les indications ci-dessous.

La connexion négative (-) doit être connectée à la borne négative de la même batterie à laquelle la borne négative du propulseur électrique est connectée. Sur le tableau, cette batterie est appelée batterie « côté inférieur ». La connexion à une autre batterie du propulseur électrique fera entrer une tension positive dans la « mise à la terre » de cet accessoire, pouvant causer une corrosion excessive. Tout dommage causé par de mauvaises connexions entre les systèmes de batterie ne sera pas couvert par la garantie.

## SYSTÈMES DE DÉMARRAGE D'APPOINT ET COMMUTATEURS

Les systèmes de démarrage d'appoint et les commutateurs relient les bornes négatives des batteries connectées entre elles. La connexion de ces systèmes à la batterie "Côté Supérieur" ou à la batterie "Milieu" risque de causer d'importants dommages à votre propulseur électrique ou aux composants électroniques. La seule batterie du propulseur électrique qui peut être connectée de façon sécuritaire à un de ces systèmes est la batterie "Côté inférieur".

**AVIS:** Le fil de masse interne est doté d'un fusible de 3 A. Les mauvaises connexions décrites ci-dessus avec une intensité supérieure à 3 A feront sauter ce fusible et aucun autre dommage ne sera exposé. Si cela se produit, les interférences RF du propulseur électrique affectant les sonars et les autres composants électroniques seront plus significatives. Si le fusible saute, il faut trouver le mauvais raccordement et le résoudre avant de remplacer le fusible. Le fusible de rechange devrait être d'un courant de 3 A ou moins. Un fusible intact ne signifie pas un raccordement adéquat; d'importants dommages peuvent être causés par un câblage incorrect sans pour autant que le courant n'approche 3 A.

## COMMENT RACCORDER LA BATTERIE

### › Systèmes de 12 Volts

1. S'assurer que le moteur est coupé (sélecteur de vitesse sur « 0 »).
2. Raccorder le fil rouge positif (+) à la borne positive (+) de la batterie.
3. Raccorder le fil noir négatif (-) à la borne négative (-) de la batterie.



## AVERTISSEMENT

Pour des raisons de sécurité, ne pas allumer le moteur jusqu'à ce que l'hélice soit dans l'eau. Si vous installez un raccordement en fil de plomb, respectez les polarités appropriées et suivez les instructions qui se trouvent dans votre manuel du propriétaire du bateau.

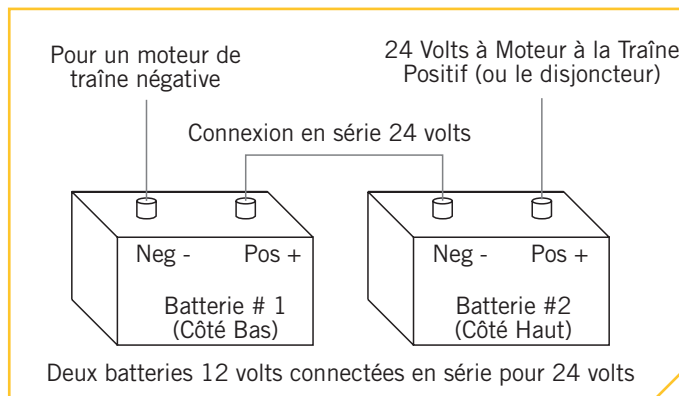
## BRANCHER LES BATTERIES EN SERIE

### BRANCHER LES BATTERIES EN SERIE [SI REUIS POUR VOTRE MOTEUR]

#### › Systèmes de 24 Volts

Deux batteries de 12 volts sont nécessaires. Les batteries doivent être branchées en série, uniquement tel qu'illustré dans le schéma de câblage, afin de fournir 24 volts.

1. Assurez-vous que le moteur est éteint (sélecteur de vitesse sur "0").
2. Branchez un câble de raccordement à la borne positive (+) de la batterie 1 et à la borne négative (-) de la batterie 2.
3. Branchez le fil rouge positif (+) à la borne positive (+) sur la batterie 2.
4. Branchez le fil noir négatif (-) à la borne négative (-) de la batterie 1.



## AVERTISSEMENT

Pour des raisons de sécurité, ne pas allumer le moteur jusqu'à ce que l'hélice soit dans l'eau. Si vous installez un raccordement en fil de plomb, respectez les polarités appropriées et suivez les instructions qui se trouvent dans votre manuel du propriétaire du bateau.



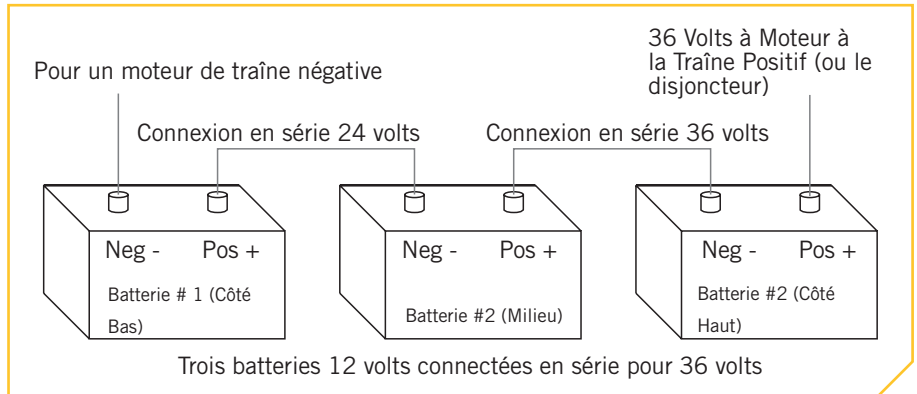
## AVERTISSEMENT

- Pour des raisons de sécurité, ne pas allumer le moteur jusqu'à ce que l'hélice soit dans l'eau. Si vous installez un raccordement en fil de plomb, respectez les polarités appropriées et suivez les instructions qui se trouvent dans votre manuel du propriétaire du bateau.
- Pour des raisons de sécurité, débranchez le moteur des batteries lorsque le moteur n'est pas utilisé ou pendant la charge.
- Une mauvaise installation du câblage des systèmes de 24/36 volts pourrait provoquer une explosion des batteries.
- Gardez les écrous papillons des raccordements solides et bien serrés autour des bornes de la batterie.
- Installez la batterie dans un compartiment ventilé.

## › Systèmes de 36 Volts

Trois batteries de 12 volts sont nécessaires. Les batteries doivent être branchées en série, uniquement tel qu'illustré dans le schéma de câblage, afin de fournir 36 volts.

1. Assurez-vous que le moteur est éteint (sélecteur de vitesse sur "0").
2. Branchez un câble de raccordement à la borne positive (+) de la batterie 1 et à la borne négative (-) de la batterie 2. Branchez autre câble de raccordement à la borne positive (+) de la batterie 2 et à la borne négative (-) de la batterie 3.
3. Branchez le fil rouge positif (+) à la borne positive (+) sur la batterie 3.
4. Branchez le fil noir négatif (-) à la borne négative (-) de la batterie 1.



### **⚠ AVERTISSEMENT**

Pour des raisons de sécurité, ne pas allumer le moteur jusqu'à ce que l'hélice soit dans l'eau. Si vous installez un raccordement en fil de plomb, respectez les polarités appropriées et suivez les instructions qui se trouvent dans votre manuel du propriétaire du bateau.

### **⚠ AVERTISSEMENT**

- Pour des raisons de sécurité, débranchez le moteur des batteries lorsque le moteur n'est pas utilisé ou pendant la charge.
- Une mauvaise installation du câblage des systèmes de 24/36 volts pourrait provoquer une explosion des batteries.
- Gardez le serrage des écrous de papillon de raccordement solide et bien serré autour des bornes de la batterie.
- Installez la batterie dans un compartiment ventilé.

L'installation de votre Terrova est terminée. Vous pouvez télécharger un manuel du propriétaire intégral à [minnkotamotors.com](http://minnkotamotors.com).

# ACCESSOIRES RECOMMANDÉS

## CHARGEURS DE BATTERIE EMBARQUÉS ET PORTATIFS

Ne plus acheter de nouvelles batteries et commencer à prendre soin de celles déjà en votre possession. Plusieurs chargeurs peuvent en fait endommager les batteries à la longue, pouvant entraîner une autonomie réduite et une durée de vie plus courte. Les chargeurs Minn Kota à commande numérique assurent une charge rapide pour une protection et une durée de vie prolongée.



MK212PC



MK210D



MK110PD

## ANCRE POUR EAUX PEU PROFONDES TALON

Voici le tout nouveau Talon à nouvelle conception profilée. Talon est la seule ancre pour eaux peu profondes avec jusqu'à 15 pi (4,6 m) de profondeur d'ancrage, plusieurs modes d'ancrage et le contrôle à partir de la proue, du tableau arrière, de la console, de la télécommande ou d'un appareil mobile.



### ÉCLAIRAGE DE TRAVAIL INTÉGRÉ

Vous permet de fixer les lignes et de travailler à partir du tableau arrière à tout moment de la journée, ou de la nuit. Comprend des lumières DEL blanches et bleues avec trois intensités.



### JUSQU'À UNE PROFONDEUR DE 15 PI (4,6 M)

Contrôlez plus d'eau et attrapez plus de poissons avec la première ancre de 15 pi (4,6 m) pour eau peu profonde.



### CONNECTIVITÉ BLUETOOTH®

Vous permet de contrôler votre Talon à partir de votre appareil mobile, ainsi que le mettre à jour facilement. Elle ouvre aussi la communication à d'autres options de contrôle.



### D'AUTRES OPTIONS DE COMMANDE

- Panneau de commande
- Télécommande sans fil
- Application mobile
- Pédale sans fil
- Connectivité Humminbird<sup>MD</sup>
- Télécommande i-Pilot<sup>®</sup> et i-Pilot Link



## ACCESSOIRES MINN KOTA

Nous offrons un large éventail d'accessoires pour les propulseurs électriques, y compris:

- Un Disjoncteur de 60 A
- Des Supports de Montage
- Des Ensembles Stabilisateur
- Des Rallonges de Poignée
- Des connecteurs de batterie
- Bacs à Batterie
- Des fiches de connexion rapide



minnkotamotors.com



Part #2327132

Minn Kota Consumer & Technical Service  
Johnson Outdoors Marine Electronics, Inc.  
PO Box 8129  
Mankato, MN 56001

ECN 39714

121 Power Drive  
Mankato, MN 56001  
Phone (800) 227-6433  
Fax (800) 527-4464



©2018 Johnson Outdoors Marine Electronics, Inc.  
All rights reserved.

Rev G

12/18