

INSTALLATION GUIDE

DYNAMIC TRIM CONTROL SYSTEM

SERIES E

ZIPWAKE

CHOOSE COMFORT. ENJOY PERFORMANCE.

TOOLS

Drill bits
 Ø 2.5 mm (3/32")
 Ø 3 mm (1/8")
 Ø 4 mm (5/32")
 Ø 5 mm (3/16")
 Ø 6.5 mm (1/4")



Hole saw
 Ø 19 mm (3/4")
 Ø 76 mm (3")



Screw bits
 T10 T30
 T20 T40
 T25



Power drill



Sealant



Flat screwdriver



Bits screwdriver



Wrench

13 mm (33/64")
 27 mm (1 1/16")



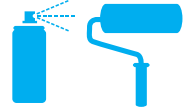
Utility knife



Hacksaw

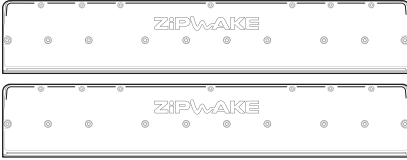


Antifouling



THE KIT BOX CONTAINS

INTERCEPTOR



2 x Interceptors
 with Cable 3 m & Cable Cover

DISTRIBUTION UNIT



1 x Distribution Unit
 with Power Cable 6 m

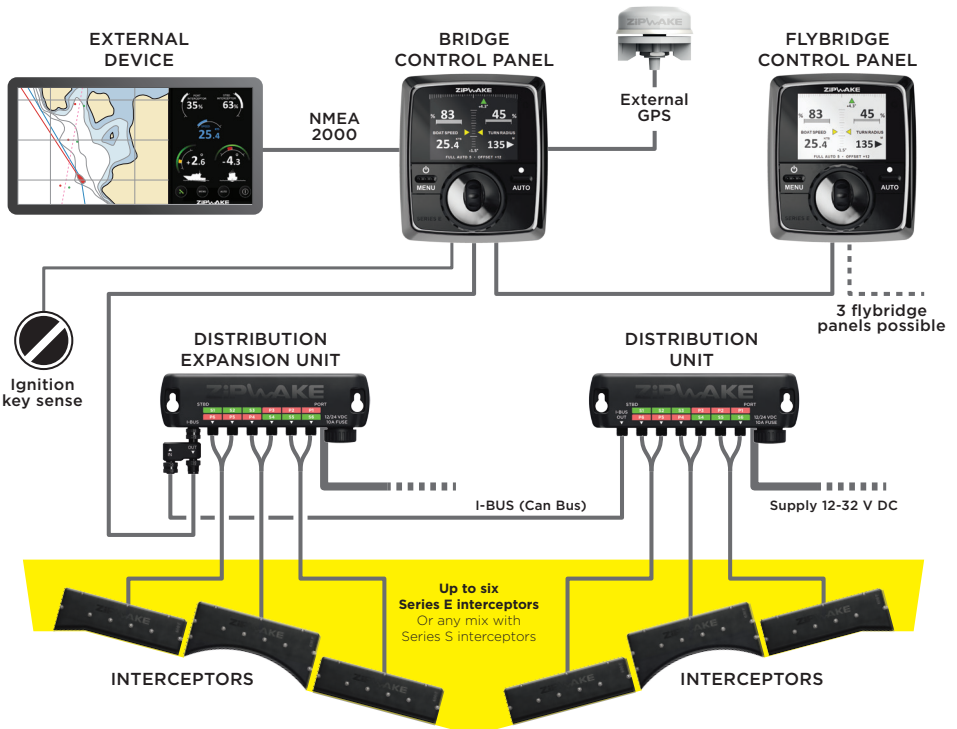
CONTROL PANEL



1 x Control Panel
 with Standard Cable 15 m

- + Operator's Manual
- + Warranty Card
- + Installation Guide
- + Drill Templates
- + Operator's Quick Guide
- + Startup Checklist

SYSTEM OVERVIEW

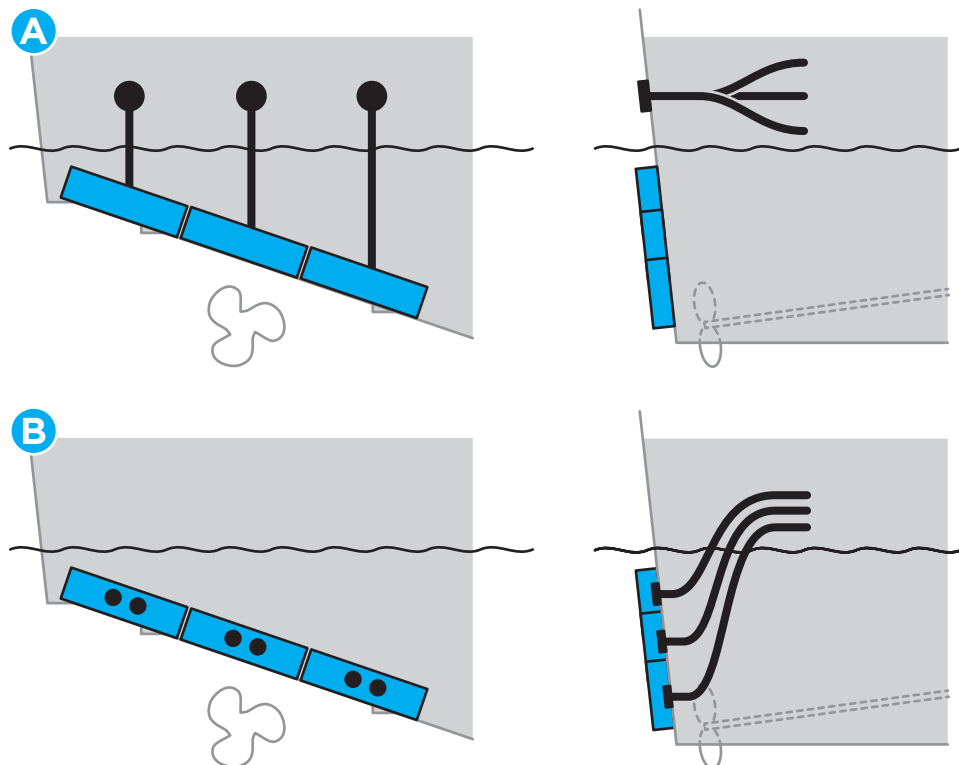


INTERCEPTOR

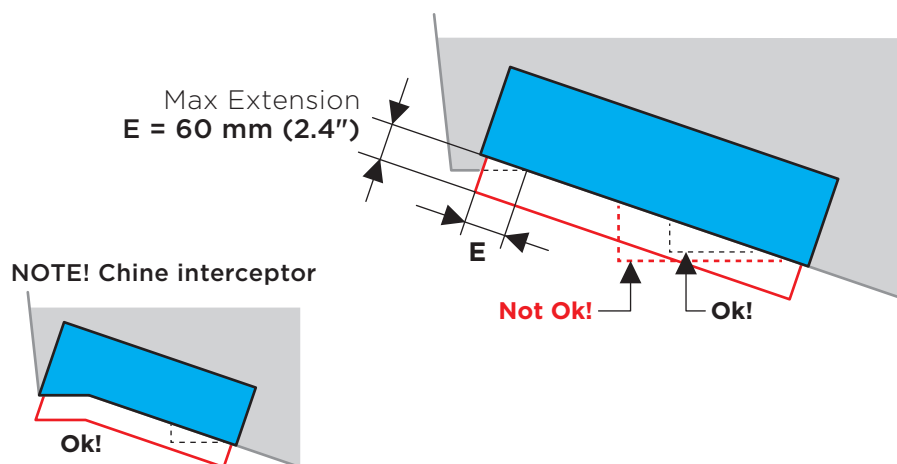
1 MOUNTING OPTIONS

THRU-HULL CABLE FITTINGS

Depending on preference, the interceptors can be mounted with thru-hull cable fittings above the waterline (A) or below, concealed behind the interceptors (B).



ALLOWED SPRAY RAIL OVERLAP



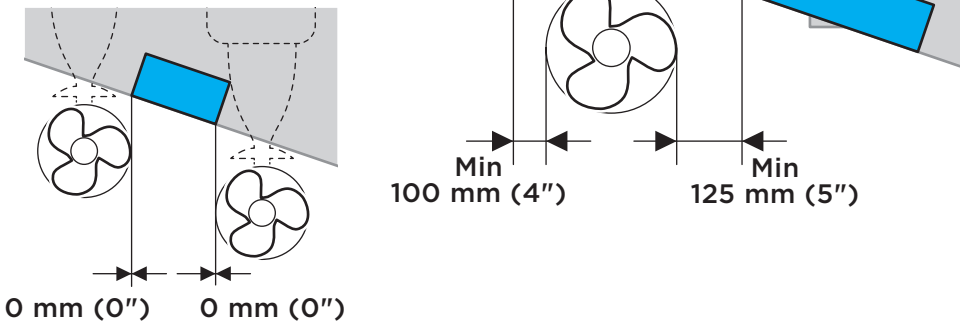
INTERCEPTOR

PROPELLER CLEARANCE

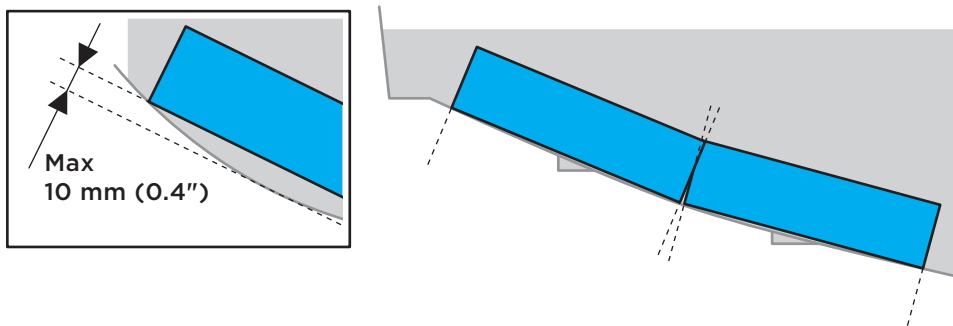
If the boat has an outboard engine or sterndrive, the interceptors must be mounted with clearance to the propeller(s).

NOTE!

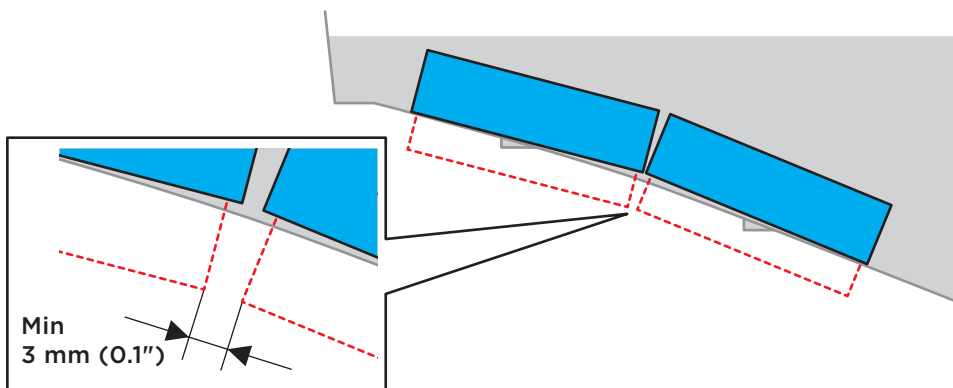
Optional intermediate Series S interceptor IT300-S INTER



CONVEX BOTTOM CURVATURE



CONCAVE BOTTOM CURVATURE

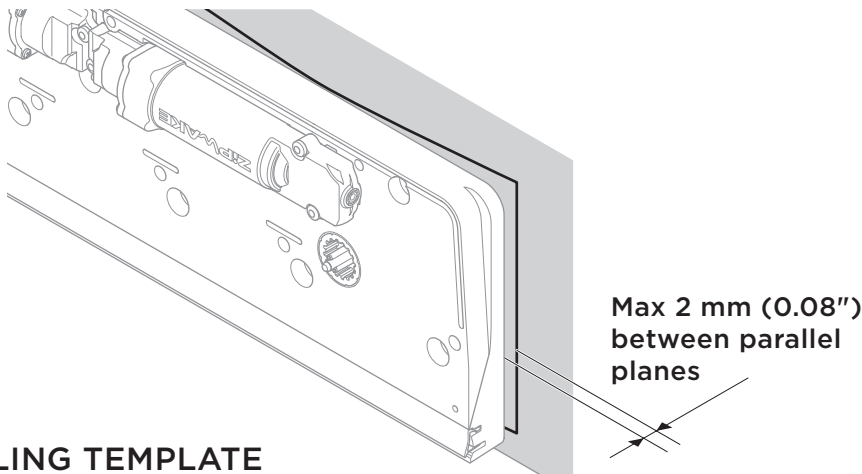


INTERCEPTOR

2 PREPARE THE TRANSOM

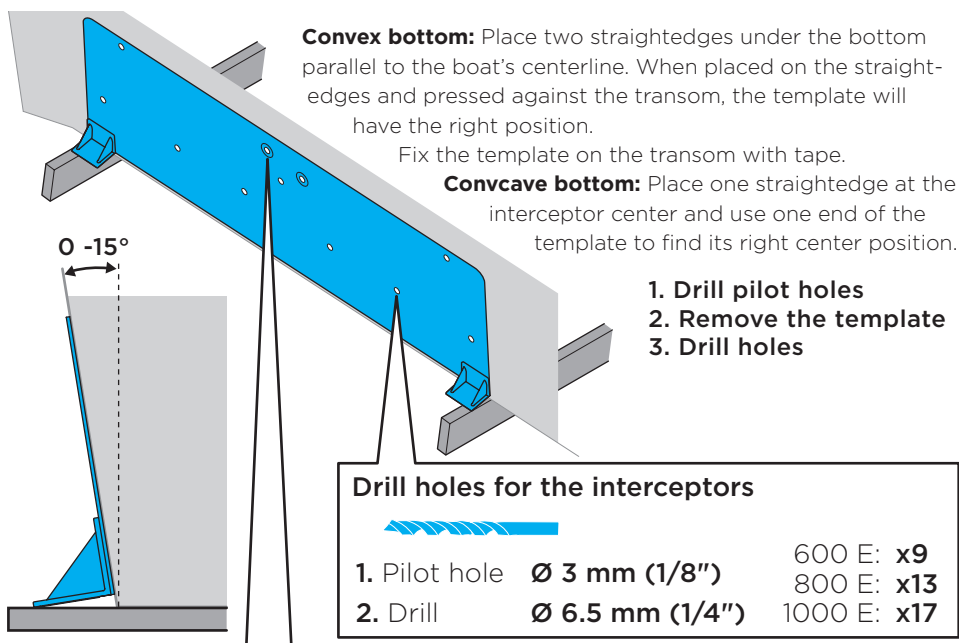
ENSURE A FLAT SURFACE FOR EACH INTERCEPTOR

The transom must be relatively flat where the interceptors are mounted to ensure that they work properly.



DRILLING TEMPLATE

Start mounting the interceptors as far outward as possible, although well inside the transom. Continue inwards when installing multiple interceptors.



Only if a concealed thru-hull fitting will be used (x2)

Option 1:

1. Pilot hole Ø 3 mm (1/8")
2. Hole saw Ø 19 mm (3/4")

Option 2 (threaded hole):

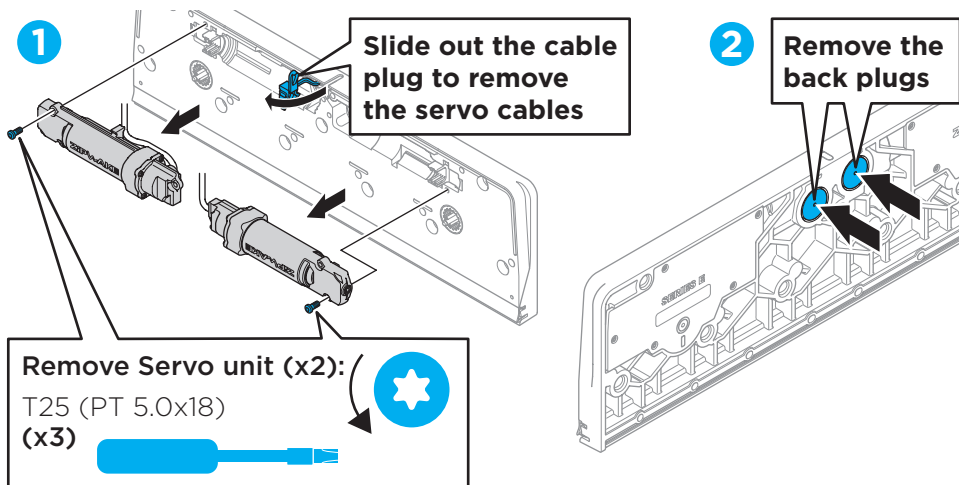
1. Pilot hole Ø 3 mm (1/8")
2. Hole saw Ø 16 mm (5/8")
3. Tap M18 x 2.5



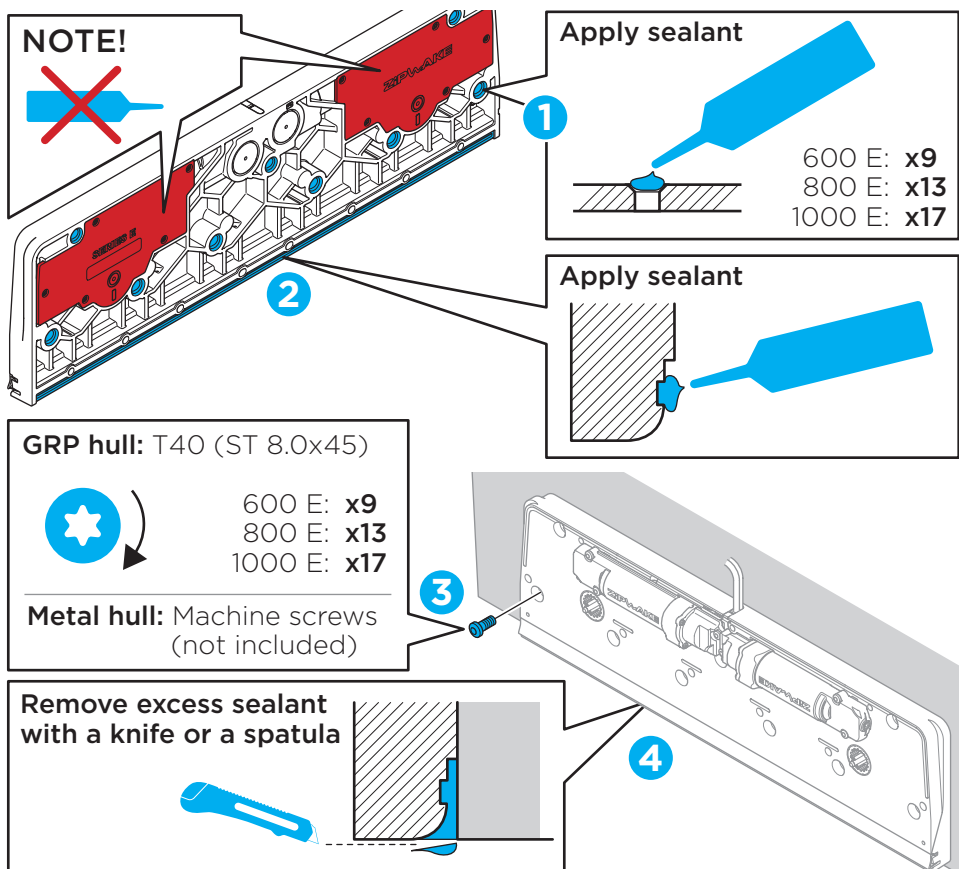
INTERCEPTOR

3 INSTALL THE BACK PLATES

A. FOR THRU-HULL FITTINGS ABOVE THE WATERLINE GO STRAIGHT TO STEP B.

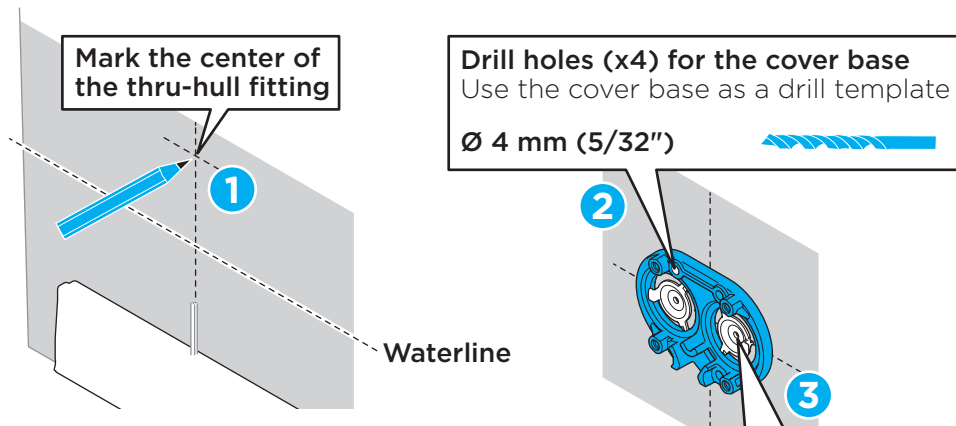


B. MOUNT THE BACK PLATE



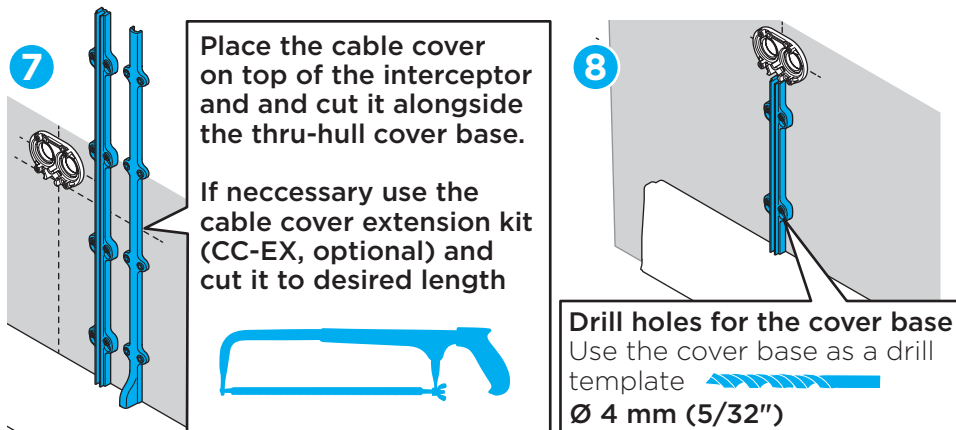
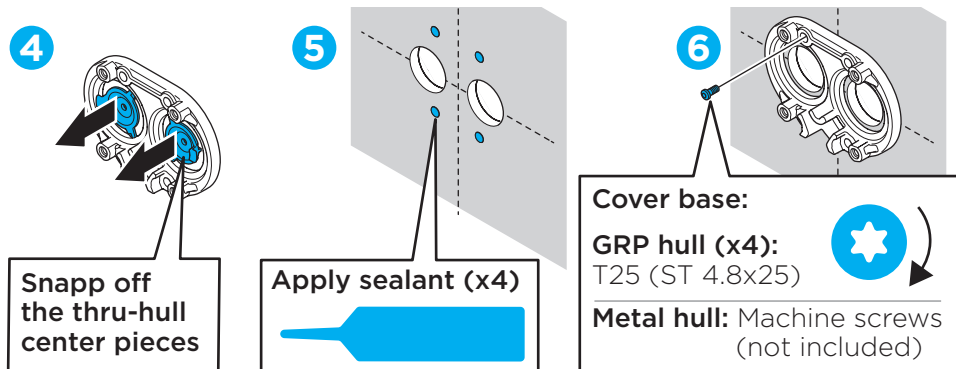

INTERCEPTOR

4A INSTALL THRU-HULL FITTINGS ABOVE THE WATERLINE

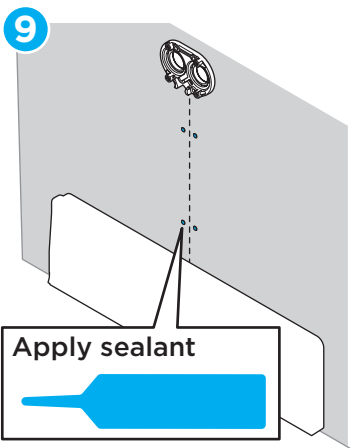


Drill holes for thru-hull fittings (x2)

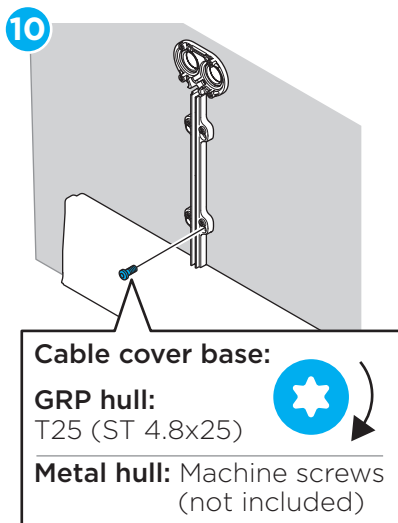
Option 1:	Option 2 (threaded hole):
1. Pilot hole Ø 3 mm (1/8")	1. Pilot hole Ø 3 mm (1/8")
2. Hole saw Ø 19 mm (3/4")	2. Hole saw Ø 16 mm (5/8")
	3. Tap M18 x 2.5



INTERCEPTOR



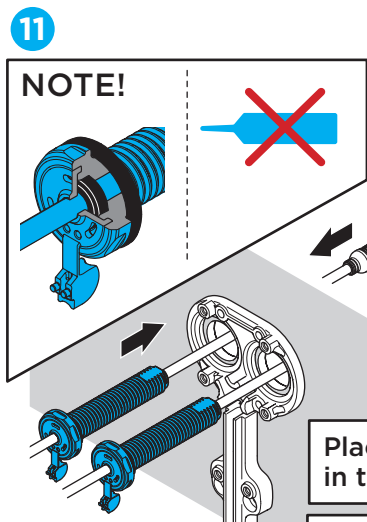
Apply sealant



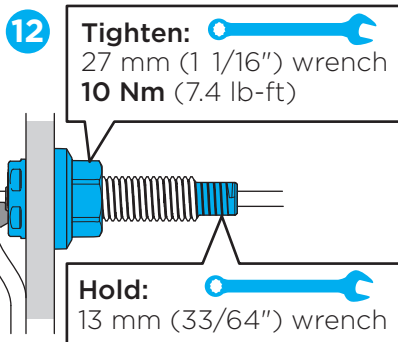
Cable cover base:

GRP hull:
T25 (ST 4.8x25)

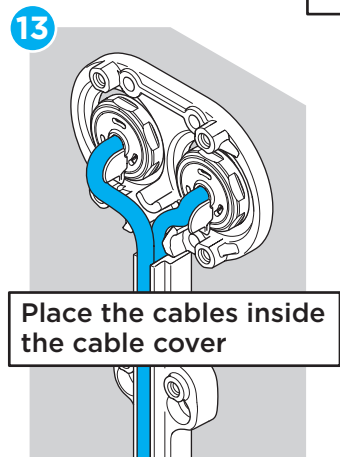
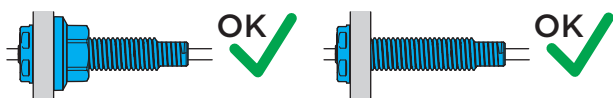
Metal hull: Machine screws
(not included)



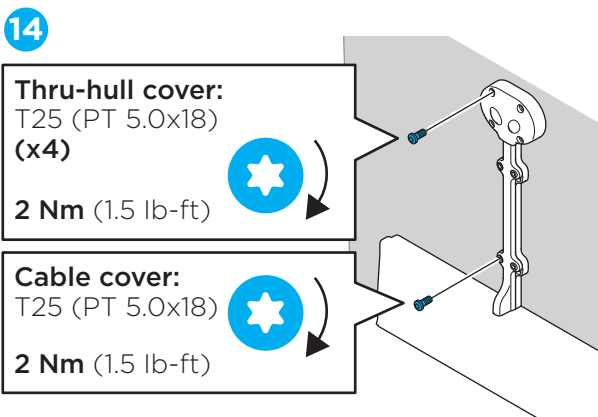
Place the cable
in the clip



NOTE! Threaded hole

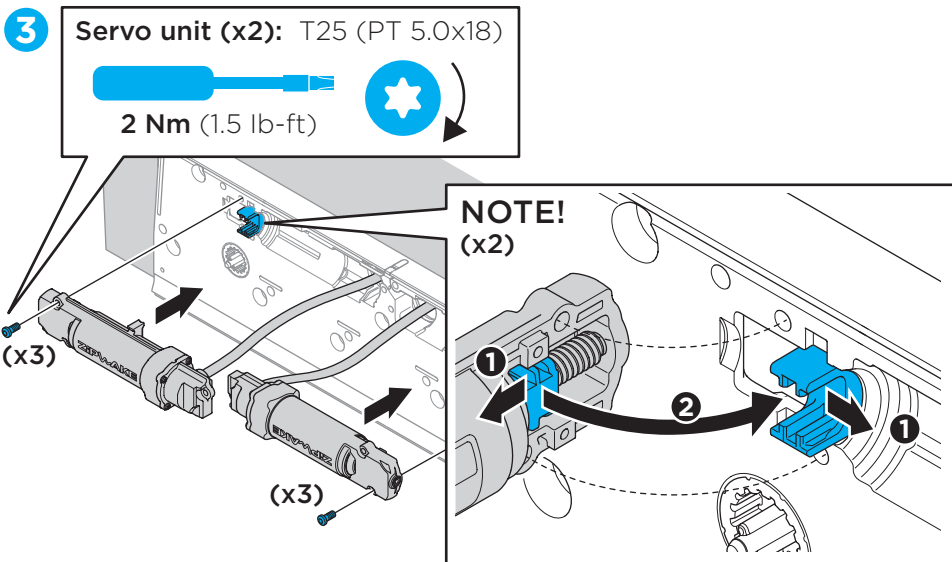
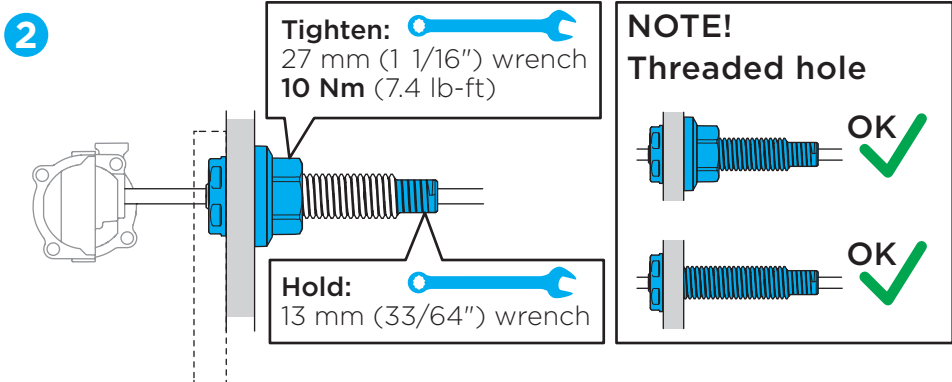
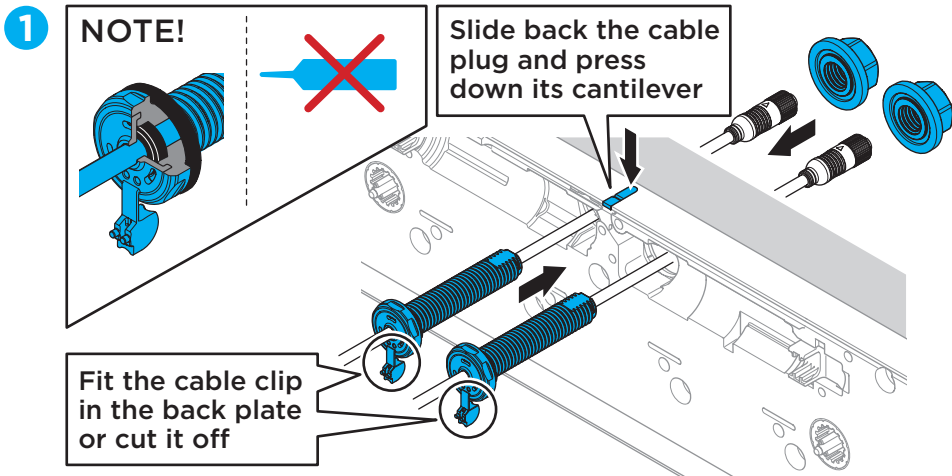


Place the cables inside
the cable cover



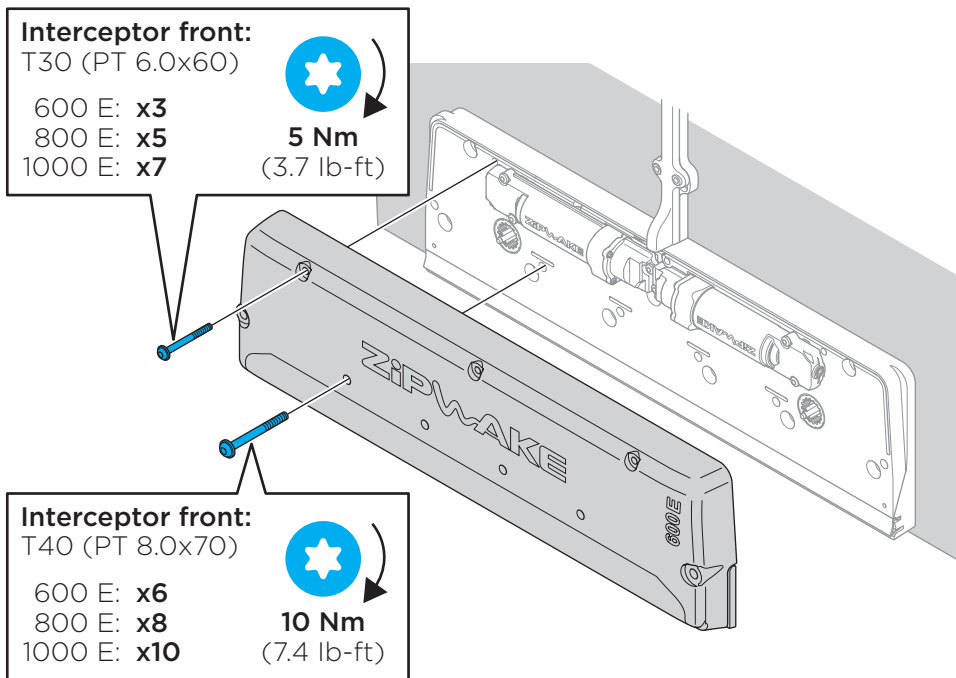
INTERCEPTOR

4B INSTALL CONCEALED THRU-HULL FITTINGS UNDER THE WATERLINE

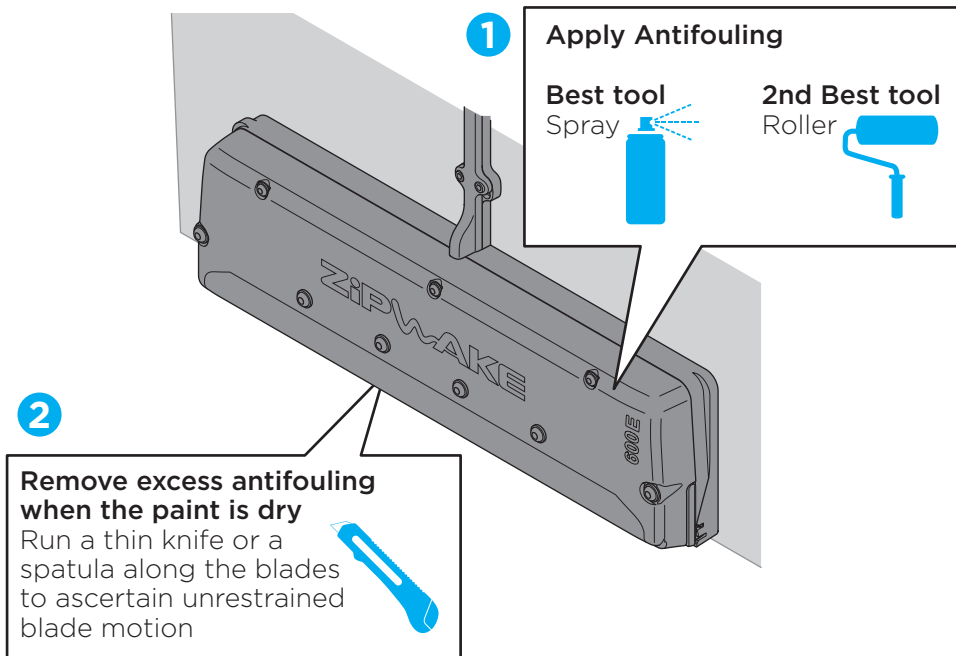


INTERCEPTOR

5 INSTALL THE INTERCEPTOR FRONTS



6 PAINT THE INTERCEPTORS WITH ANTIFOULING



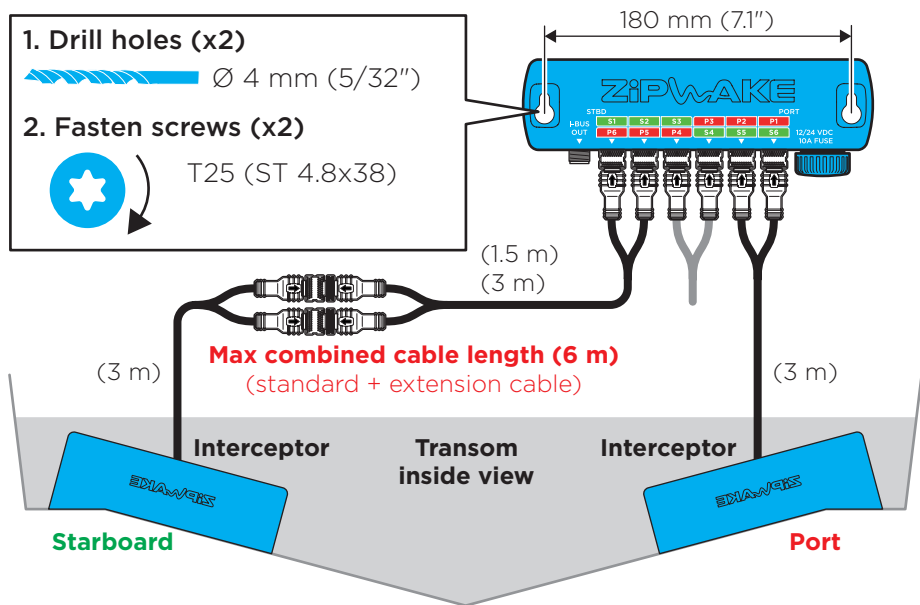
DISTRIBUTION UNIT

1 MOUNT THE DISTRIBUTION UNIT

Mount the distribution unit inboard where it is easy to connect it to both interceptors and power supply (battery) e.g. the engine room or other suitable compartment.

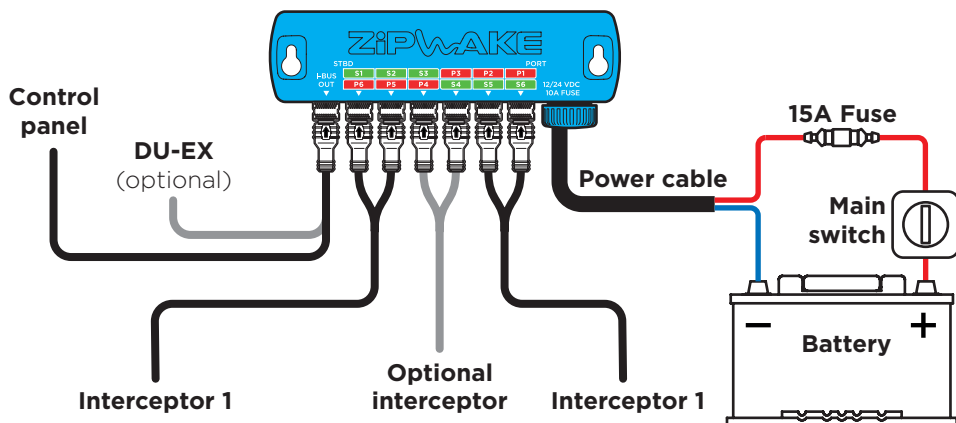
NOTE!

The maximum cable length (including extra cable) from an interceptor to the distribution unit is 6 m (20 ft).



2 CONNECT THE DISTRIBUTION UNIT

NOTE! Detailed wiring diagram is available at the end of this folder.

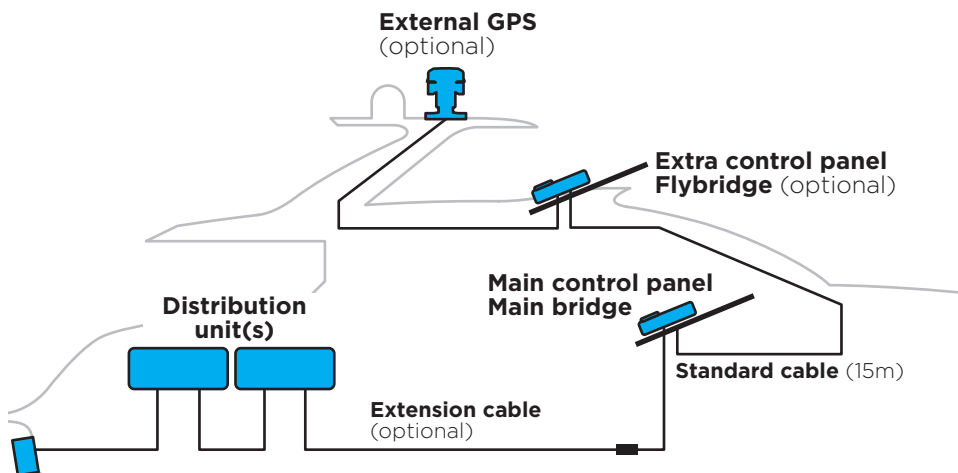


NOTE! The system can be expanded with a Distribution Expansion Unit (DU-EX) in order to accommodate up to six Series E interceptors or any mix with Series S interceptors.

CONTROL PANEL

1 ROUTE CABLES

Route the cables between the control panel(s), the distribution unit and optional equipment. Use optional extension cables if necessary. A detailed wiring diagram is available on the other side of this folder.

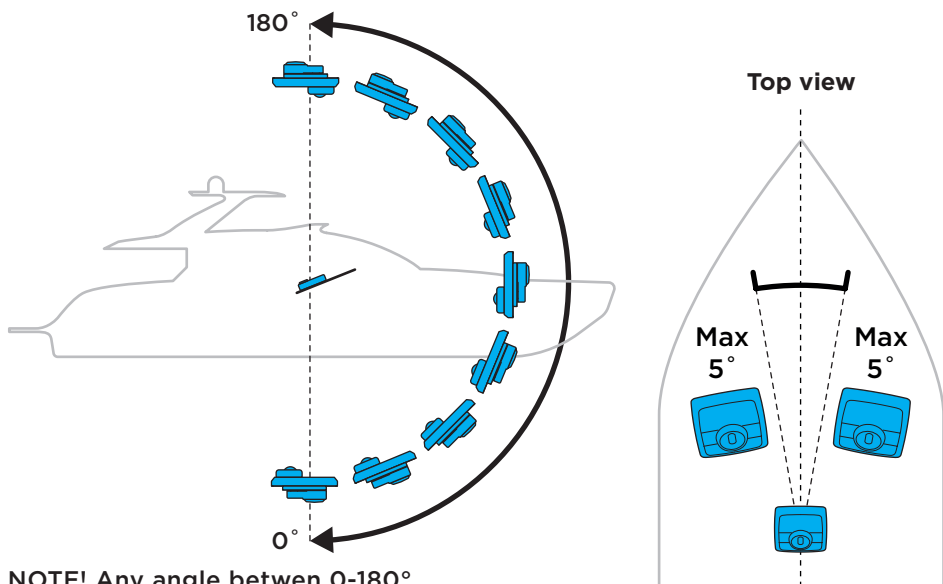


2 PREPARE THE DASH

The control panel must be mounted within certain angles relative to the boat's axes for the built-in sensors to deliver reliable output.

Locate a free area on the dash suitable for mounting the control panel. Use the control panel's template as a guide to see if it will fit next to other instruments.

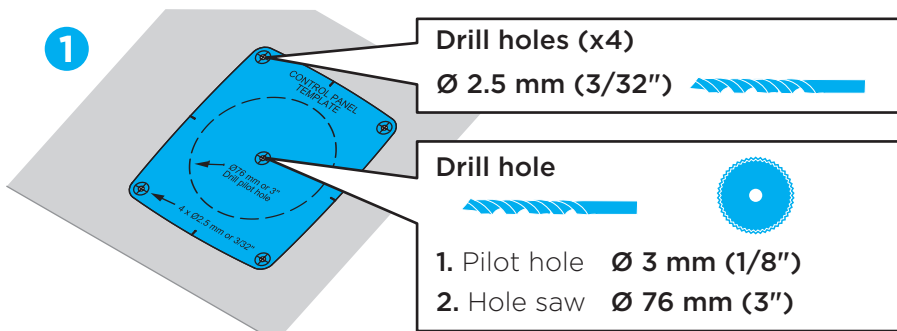
NOTE! 0.5 m (1.6 ft) safe distance to magnetic compass.



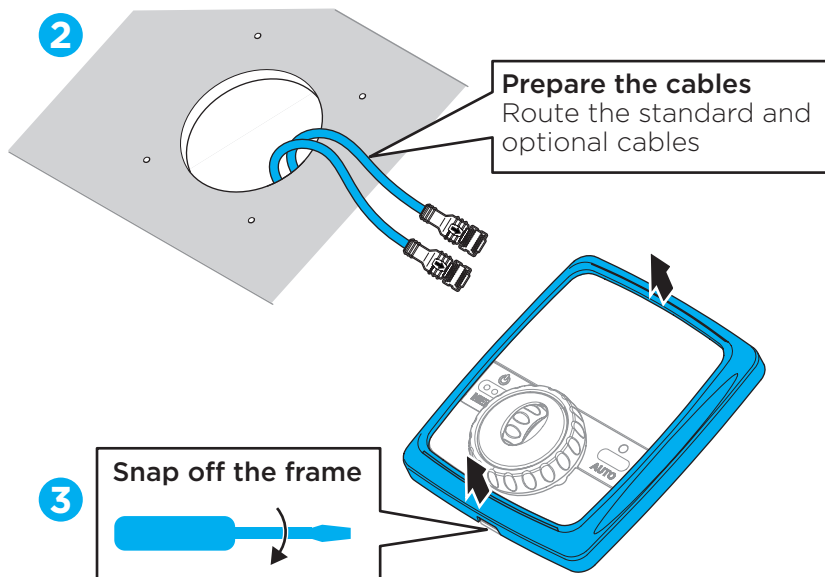
NOTE! Any angle between 0-180°

CONTROL PANEL

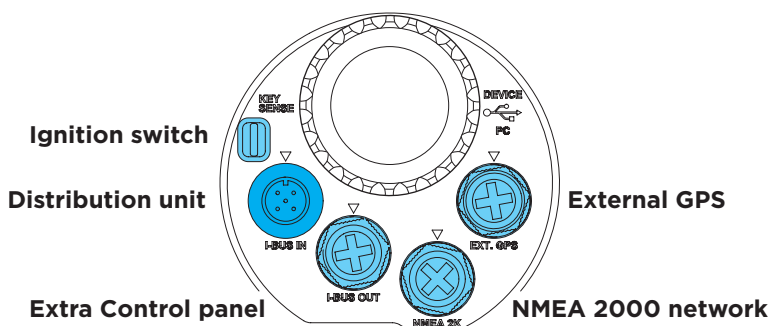
3 MOUNT THE CONTROL PANEL



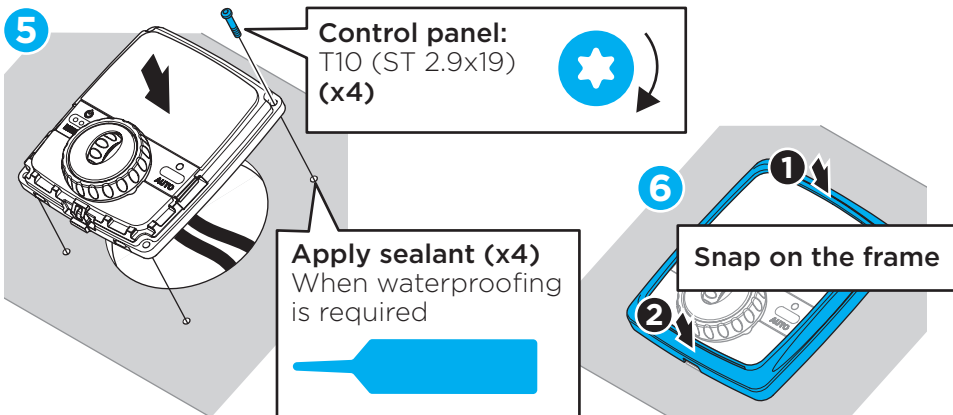
Flush mount option: refer to www.zipwake.com for a drawing and 3D model.



4 Connect the cables on the back of the Control panel.



CONTROL PANEL

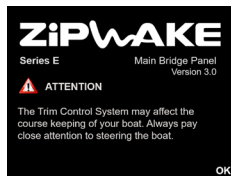


4 INITIAL START

Refer to the Operator's Manual for detailed information about setting up and operating the system.

SET UP THE SYSTEM

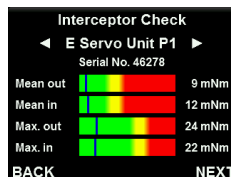
Press and hold the POWER/MENU button until the Zipwake logo appears on the display and follow the steps on the screen.



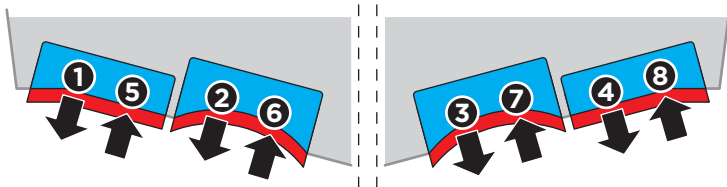
INTERCEPTOR CHECK

Carry out an Interceptor Check to verify function immediately after installation and before launching the boat. Repeat this before every launch.

NOTE! Interceptor Check will not start if no interceptor configuration has been saved to the system (refer to the Operator's Manual).



The check repeats a 5 stroke sequence, where each interceptor blade is extended, one by one, from port to starboard and then retracted in the same order. Visually confirm that the interceptors move accordingly during the check. This confirms that the interceptors are correctly connected to the distribution unit(s).



All readings must be green!

Corrective action is always necessary when excessive torque levels are observed. The root cause is usually the flatness of the transom behind the interceptor and/or excess antifouling between its blades.

IMPORTANT

Always use the controls to move the interceptor blades. Never try to force the interceptor blades by hand.

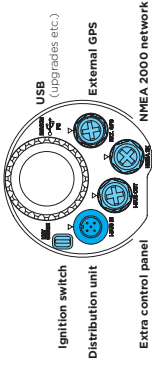
WIRING DIAGRAM

ACCESSORIES AND SPARE PARTS

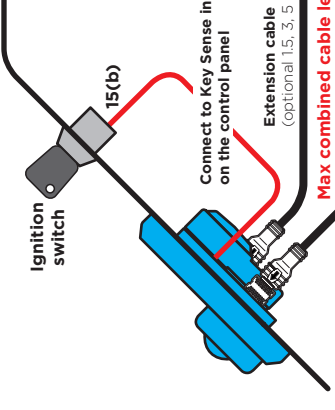
Model	Part No.	Description
CP-E	2012032	CONTROL PANEL E WITH STANDARD CABLE 15 M
DU-E	2012033	DISTRIBUTION UNIT E WITH POWER CABLE 6 M
DU-EX	2012034	DISTRIBUTION EXPANSION UNIT E WITH POWER CABLE 6 M
IT600-E	2012018	INTERCEPTOR 600 E WITH CABLE 3 M & CABLE COVER
IT800-E	2012019	INTERCEPTOR 800 E WITH CABLE 3 M & CABLE COVER
IT1000-E	2012020	INTERCEPTOR 1000 E WITH CABLE 3 M & CABLE COVER
IT600-E TUNNEL R500	2012021	INTERCEPTOR 600 E TUNNEL R500 WITH CABLE 3 M & CABLE COVER
IT600-E TUNNEL R600	2012022	INTERCEPTOR 600 E TUNNEL R600 WITH CABLE 3 M & CABLE COVER
IT600-E TUNNEL R800	2012023	INTERCEPTOR 600 E TUNNEL R800 WITH CABLE 3 M & CABLE COVER
IT600-E CHINE PORT	2012024	INTERCEPTOR 600 E CHINE PORT SIDE WITH CABLE 3 M & CABLE COVER
IT600-E CHINE STBD	2012025	INTERCEPTOR 600 E CHINE STARBOARD SIDE WITH CABLE 3 M & CABLE COVER
EC1.5-M12	2011258	M12 EXTENSION CABLE 1.5 M
EC3-M12	2011259	M12 EXTENSION CABLE 3 M
EC5-M12	2011260	M12 EXTENSION CABLE 5 M
EC10-M12	2011261	M12 EXTENSION CABLE 10 M
EC15-M12	2012038	M12 EXTENSION CABLE 15 M
EC20-M12	2012039	M12 EXTENSION CABLE 20 M
SC15-M12	2012037	M12 STANDARD CABLE 15 M
CP ALU FRAME	2011281	CONTROL PANEL ALU FRAME
CP COVER	2011381- 2011385	CONTROL PANEL COVER WHITE, LIGHT GRAY, MID GRAY, DARK GRAY, BLACK
CC-EX	2012036	CABLE COVER EXTENSION E KIT
GPU	2011240	GLOBAL POSITIONING UNIT WITH CABLE 5 M & MOUNT KIT
GB	2011622	GIMBAL BRACKET FOR CONTROL PANEL
SU-E	2012035	SERVO UNIT E WITH CABLE 3 M
IT600-E FRONT	2012045	INTERCEPTOR 600 E FRONT
IT800-E FRONT	2012046	INTERCEPTOR 800 E FRONT
IT1000-E FRONT	2012047	INTERCEPTOR 1000 E FRONT
IT600-E TUNNEL R500 FRONT	2012048	INTERCEPTOR 600 E TUNNEL R500 FRONT
IT600-E TUNNEL R600 FRONT	2012049	INTERCEPTOR 600 E TUNNEL R600 FRONT
IT600-E TUNNEL R800 FRONT	2012050	INTERCEPTOR 600 E TUNNEL R800 FRONT
IT600-E CHINE PORT FRONT	2012051	INTERCEPTOR 600 E CHINE PORT SIDE FRONT
IT600-E CHINE STBD FRONT	2012052	INTERCEPTOR 600 E CHINE STARBOARD SIDE FRONT

WIRING DIAGRAM

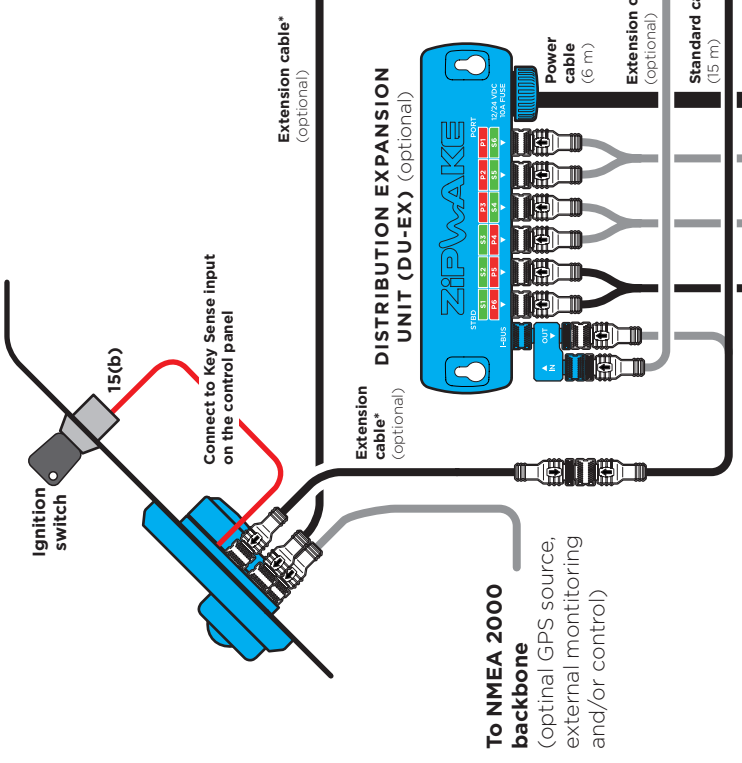
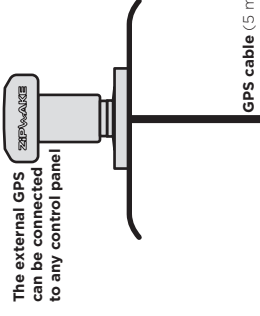
MAIN CONTROL PANEL (CP-E)



EXTRA CONTROL PANEL (CP-E)



EXTERNAL GPS (GPU)

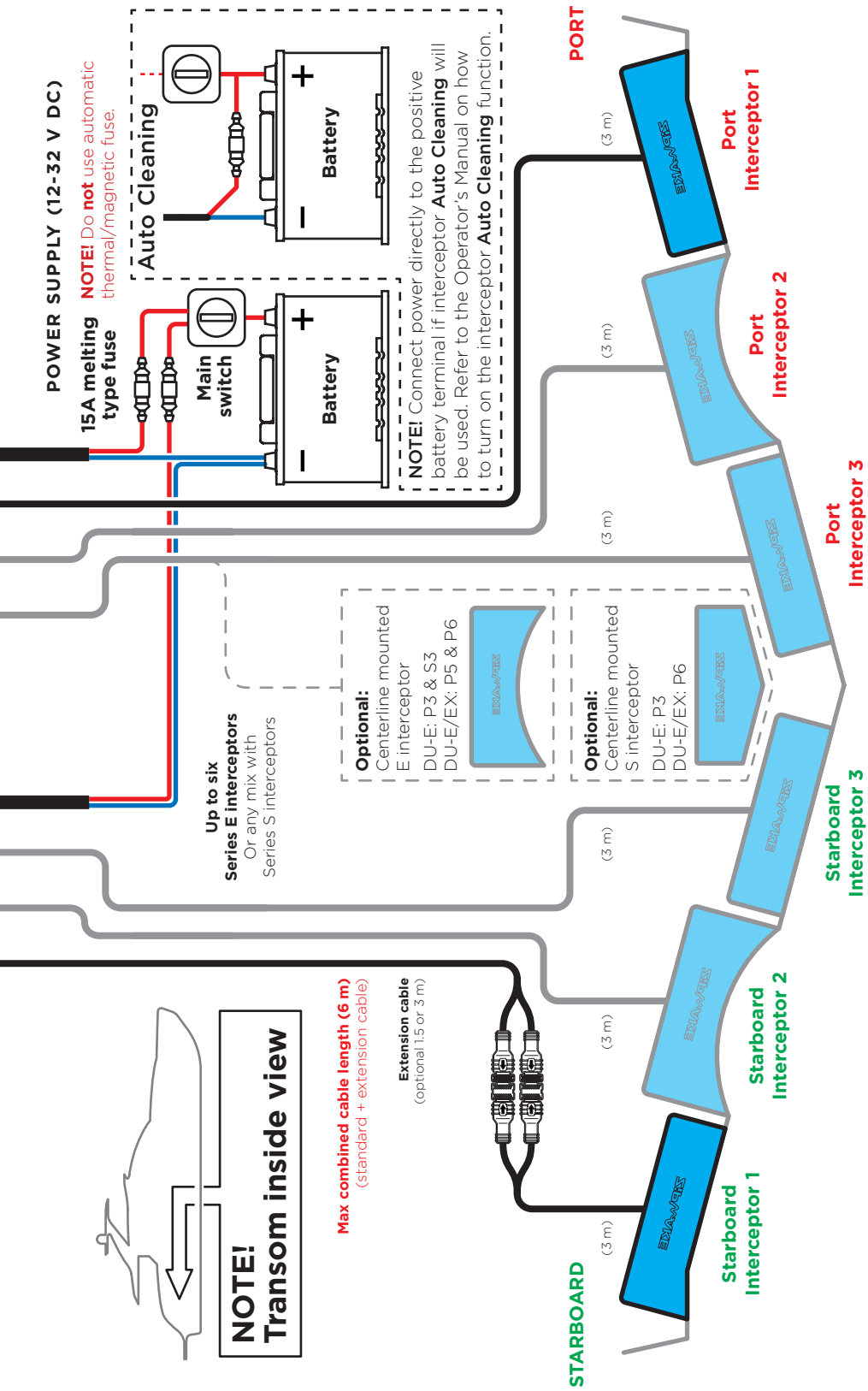


* Extension cable (optional)

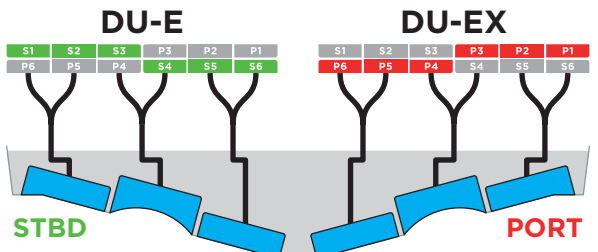
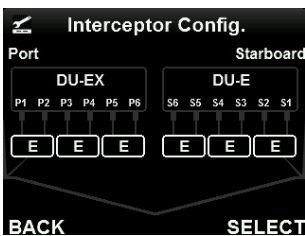
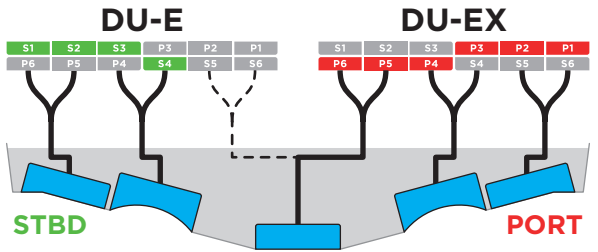
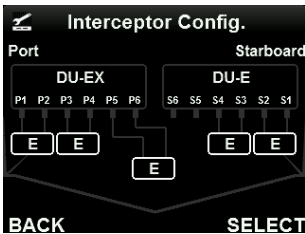
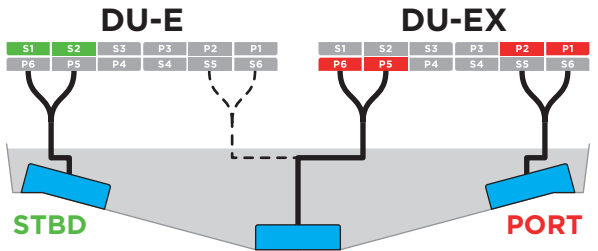
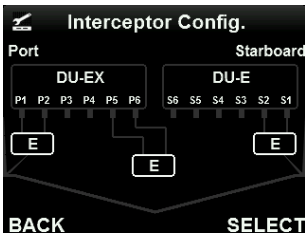
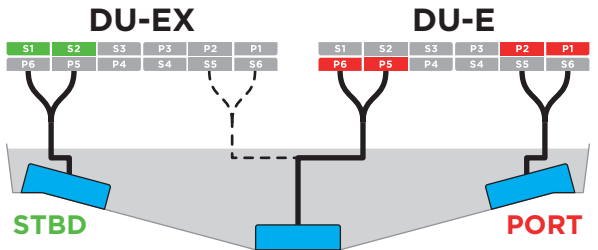
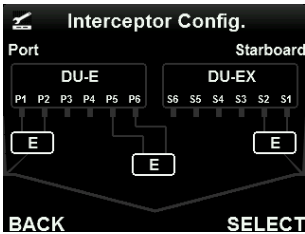
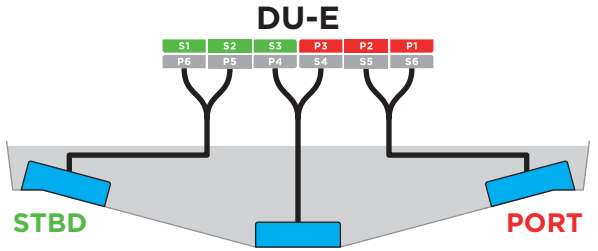
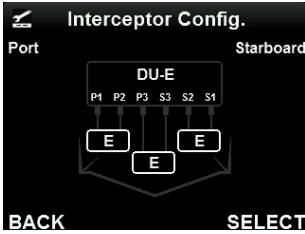
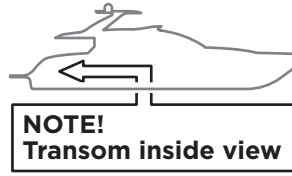
- (1.5 m)
- (3 m)
- (5 m)
- (10 m)
- (15 m)
- (20 m)

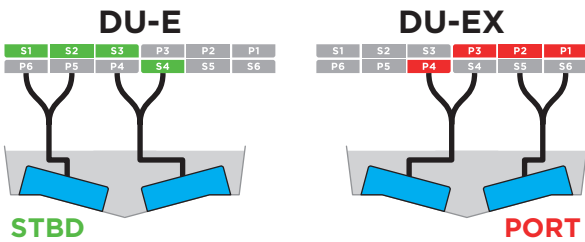
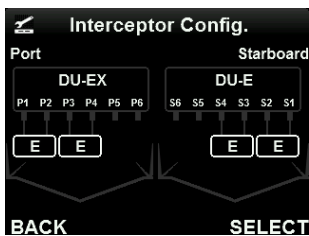
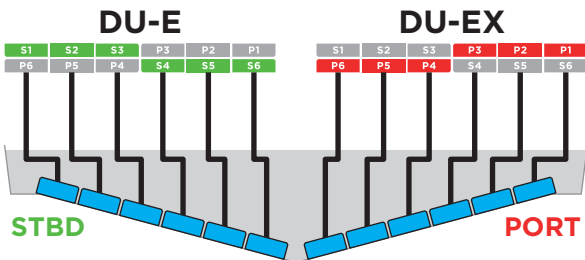
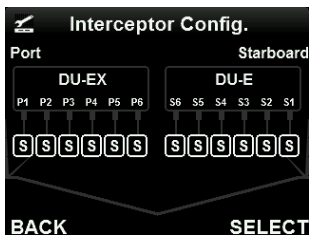
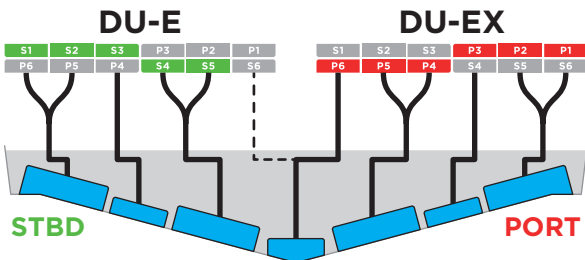
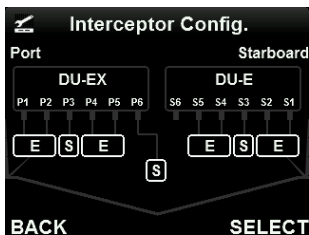
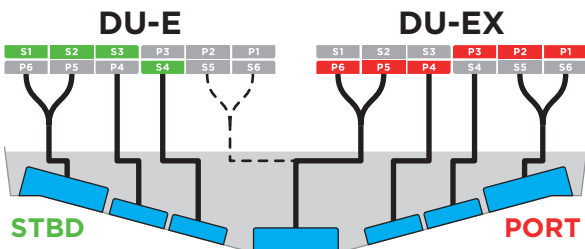
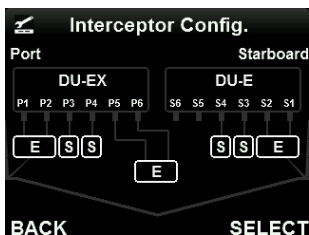
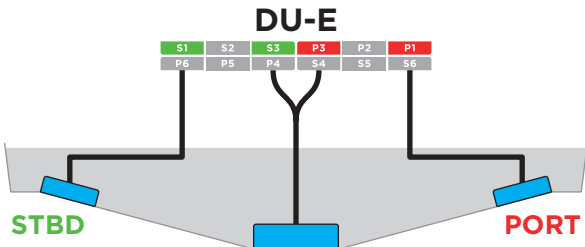
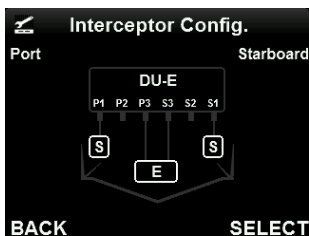
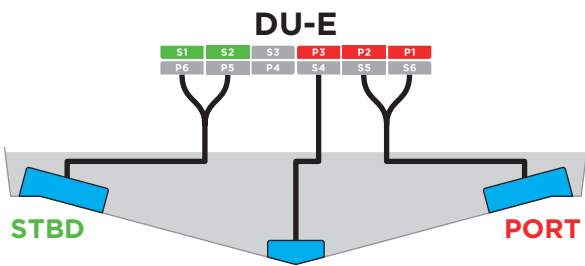
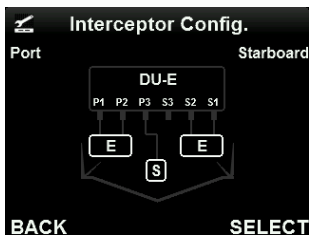
NOTE! Connect DU-E and DU-EX to the same power source and ground potential (grounding point).

WIRING DIAGRAM



DU/INTERCEPTOR CONFIGURATIONS





Visit www.zipwake.com for additional information such as:

- Operator's Manual and Installation Guide in different languages
- Product specifications, including a list of accessories and spare parts
- Application examples and interceptor mounting options
- Drawings and 3D models of system components
- Software upgrades for your Dynamic Trim Control System
- Programming Manual for external control application development

ZIPWAKE

CHOOSE COMFORT. ENJOY PERFORMANCE.