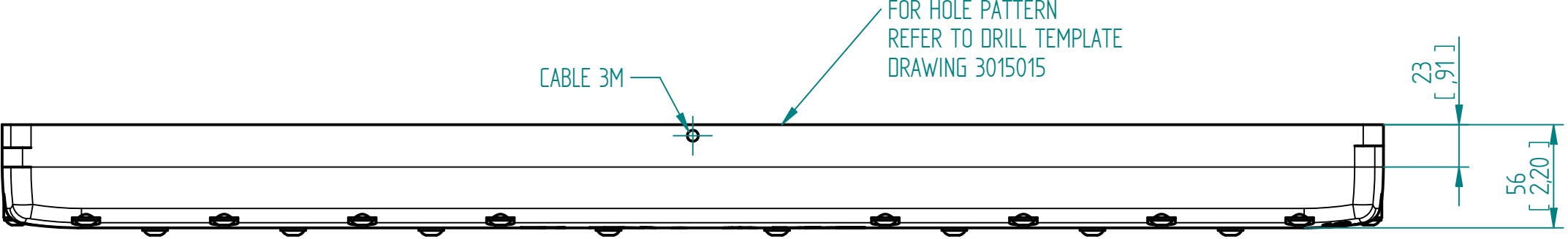
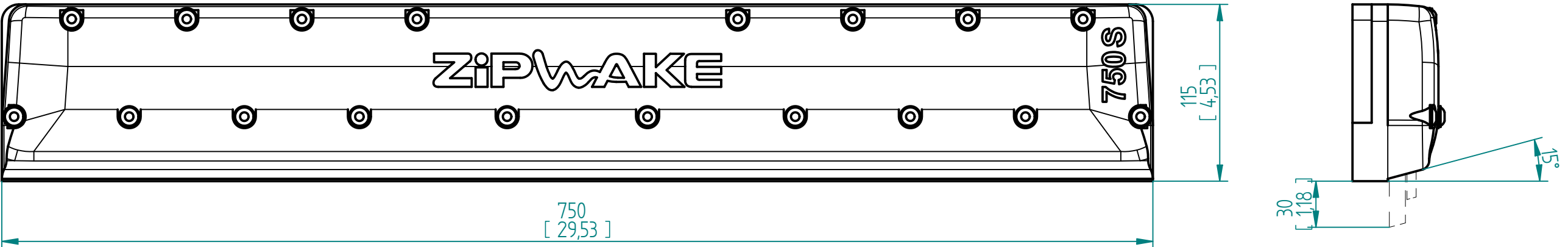


REV	DESCRIPTION	DATE	APPROVED



www.zipwake.com	ALL DIMENSIONS IN: mm DIMENSIONS WITHIN BRACKETS: [Inches]		DO NOT SCALE DRAWING		ZIPWAKE	
	COPYRIGHT 2015. ALL RIGHTS RESERVED BY ZIPWAKE AB. THE INFORMATION CONTAINED IN THIS DRAWING SHALL NOT BE REPRODUCED IN PART OR AS A WHOLE WITHOUT THE PRIOR WRITTEN PERMISSION OF ZIPWAKE AB.					TITLE: IT750-S ENVELOP DIMENSIONS
		NAME	DATE			
	DRAWN	JD	160410	SIZE A3	DWG. NO. 3015046	REV R1A
	CHECKED					
APPROVED						
UNLESS OTHERWISE SPECIFIED GENERAL TOLERANCES ACCORDING TO ISO 2768-1-m			SCALE: 1:3	WEIGHT: 4.0 kg	SHEET 1 OF 1	