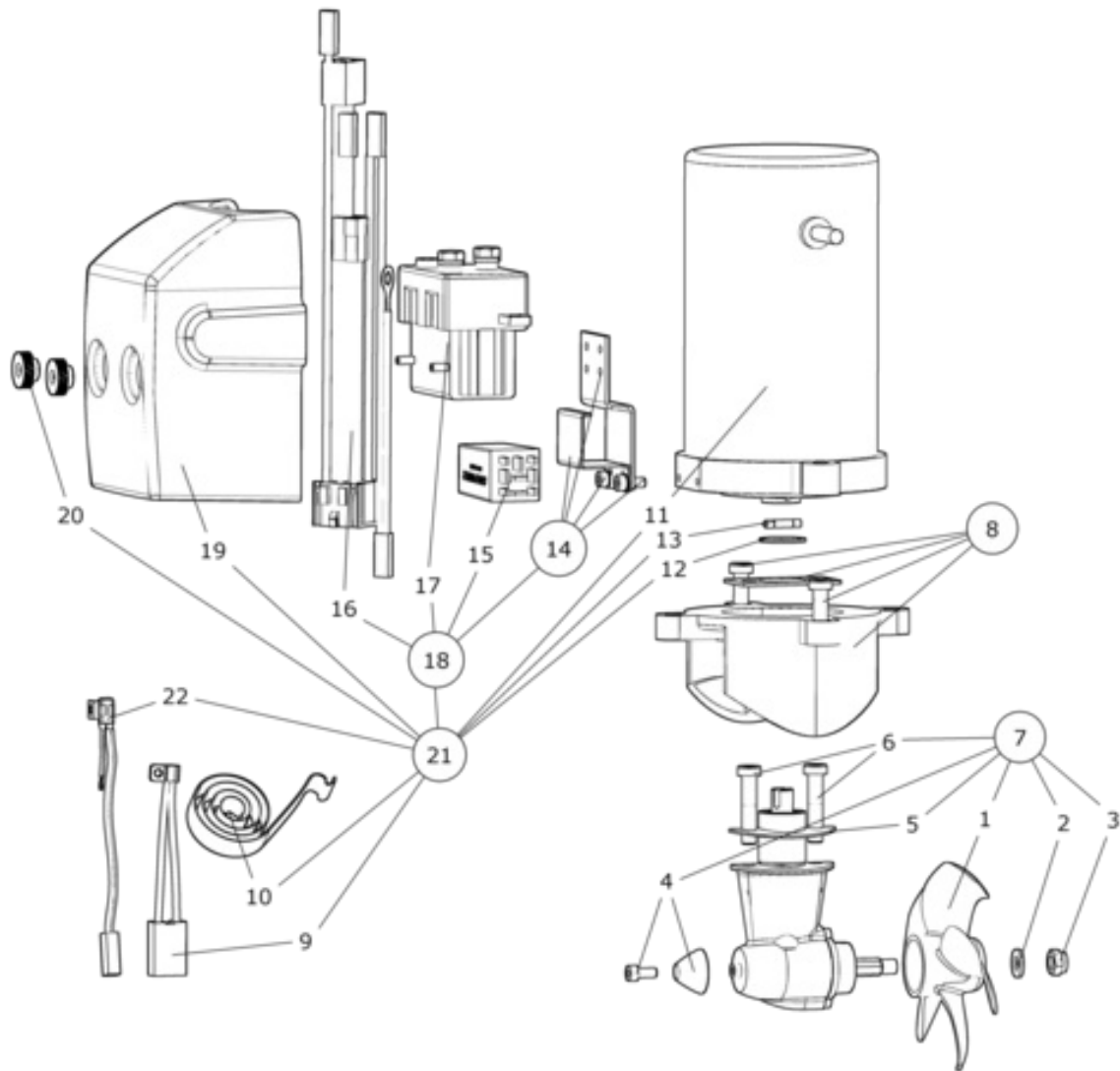


SE40/125S2 - SE40

Tunnel thruster, 12V



Spare parts (valid from 2019-04-11)



#	Description	Product
1	Propeller	3 1261 - Propeller 5bl SE30/40
2	Propeller washer	208125 - washer DIN125A M8 A4 (SB)
3	Locknut	3 1250 - Locknut
4	Anode	3 1180 A - Alu anode SE30/40
5	Gasket	3 1310 10 - Gasket between tun./brak. SE40
6	Gearleg bolt	3 1080 - Gearleg bolt
7	Complete gearleg	3 0601 - Motor gearleg compl SP30/40
8	Complete motor bracket	
9	Complete flexible coupling	
10	Brushes for motor (kit)**	**
11	Brush springs for motor (kit)**	**
12	Electric motor	N/A
13	Key for electric motor shaft	
14	Solenoid bracket kit	3 0135 - Solenoid bracket kit SP40
15	Electronic control box	6 1232 I - Delay relay 12/24V, new type
16	Internal wiring loom	6 1226 B - Internal coupl. SP40-55-75-95
17	Solenoid	41472123 - Solenoid compl SE40/SE60 12V
18	Complete solenoid kit	3 0131 12 - Solenoid kit compl SP40i
19	Solenoid Cover	3 2026 - Solenoid cover SE40
20	Nut for solenoid cover	6 8807 - Nut for solenoid cover
21	Complete electric motor assembly	TBA
22	Temp switch*	*

The installer alone has responsibility for the installation of the spare parts. Side-Power only warranty the spare parts supplied only.

The information given in the document was correct at the time it was published. However, Sleipner Motor AS can not accept liability for any inaccuracies or omissions it may contain. Continuous product improvement may change the product specifications without notice. Therefore, Sleipner Motor AS can not accept liability for any possible differences between product and document.