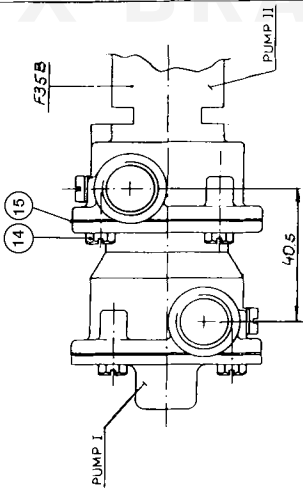
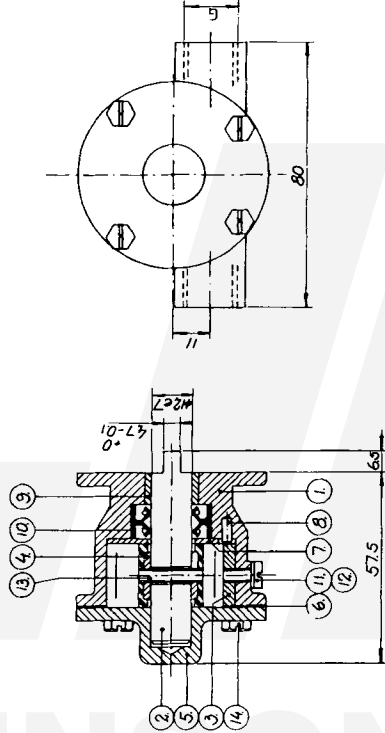


10-24143

pump F35B-9

4 st skruvar, 05-04-176 pos ⑭ och 1 st packning, 01-43240 samt 1 st packning, 01-43240 (se separat) levereras separat åt användas för Pump II.
 4 pcs screws pos ⑭ and 1 pcs gasket pos ⑮ will be delivered separately to be used for Pump II.

PUMP I



RECOMMENDATION FOR GASKET SELECTION PUMP II

HANDLING	GASKET ⑮
PUMP II	GASKET ⑮
Seawater	01-43240
Closed Fresh-water system	1-0315
	01-45000
	Red 211140

PUMP NO	Pump 1	Gasket ⑮	Cam ⑬	Screw ⑫	Body ⑪	G
10-24143-1	Seawater	01-43240			Body ⑪	G
10-24143-2	Closed Fresh-water system	1-0315	01-42415	05-04-553		
10-24143-3	Seawater	01-43240		01-35062-1	ISO 71/1-Rp 3/8	
10-24143-4	Closed Fresh-water system	1-0315	01-42910	05-04-114		
10-24143-5	Seawater	01-43240	01-42910/05-04-114	01-35062-3	3/8-18 NPT	

Part No (Ref)	Description	Material	Dimension
15	1 Packing	Gasket	01-43240 (se separat)
14	8 Screws	Gasket	01-43240 (se separat)
13	1 Screw	Screw	05-04-176
12	1 Screw	Screw	05-04-176
11	1 Bracket	Screw	See Table
10	1 Impeller	Wearplate	05-01-100
9	1 Lock	Washer	05-29-502
8	1 Lock	Washer	01-49110
7	1 Impeller	Washer	01-42400
6	1 Lock	Washer	01-45087
5	1 Impeller	Washer	See Table
4	1 Impeller	Washer	01-45359
3	1 Impeller	Washer	08-808 B
2	1 Impeller	Washer	See Table
1	1 Impeller	Washer	01-44360
			See Table/See Table

Rev	Rev	Rev	Rev	Rev	Rev
1	2	3	4	5	6
10-24143-9	10-24143-9	10-24143-9	10-24143-9	10-24143-9	10-24143-9
10-24143-9	10-24143-9	10-24143-9	10-24143-9	10-24143-9	10-24143-9
10-24143-9	10-24143-9	10-24143-9	10-24143-9	10-24143-9	10-24143-9
10-24143-9	10-24143-9	10-24143-9	10-24143-9	10-24143-9	10-24143-9
10-24143-9	10-24143-9	10-24143-9	10-24143-9	10-24143-9	10-24143-9