

070



050



025 MP

DESCRIZIONE E APPLICAZIONI

Elettropompe **autoadescanti** in bronzo ad anello liquido laterale largamente utilizzate nel settore nautico per lo svuotamento di sentine, antincendio ed il travaso di liquidi come: acqua dolce, acqua di mare, gasolio ecc.

CARATTERISTICHE COSTRUTTIVE

Corpo pompa: BRONZO
Girante: BRONZO
Raccordi: BRONZO
Albero : ACCIAIO INOX AISI 316
Tenuta meccanica: ceramica-grafite-NBR (speciale anti-corrosione)

MOTORE

- **Corrente Continua:**
Motore elettrico 12/24V a bobine di campo protezione IP23, Classe di Isolamento F, Servizio continuo (S1).
Serie MP: motore a magneti permanenti a 12/24V c.c. per funzionamento bidirezionale, protezione IP 23÷44, Classe di Isolamento F, Servizio continuo (S1).
- **Corrente Alternata:**
Motore elettrico asincrono 230V monofase (M) / 230+400V trifase (T), 50Hz, protezione IP55, Classe di Isolamento F, Servizio continuo (S1).

LIMITI DI IMPIEGO

- Liquido esente da impurità solide
- Temperatura del liquido: da +0 a +70 °C
- Profondità max. di aspirazione: 6 m (4 m per modelli 020 e 020MP)
- Pressione statica nel corpo pompa: 6 bar max

ACCESSORI A RICHIESTA

- Corpo pompa con By-pass manuale
- Tenuta meccanica per alte temperature (max. 150 °C) in widia /viton/ SIC

DESCRIPTION AND USE

Self-priming electric pumps made in bronze with side liquid ring widely used in the nautical sector to empty bilges, fire-fighting and transfer liquids such as: fresh water, sea water, diesel-oil etc.

CONSTRUCTION FEATURES

Pump body: BRONZE
Impeller: BRONZE
Pipe fittings: BRONZE
Shaft: AISI 316 Stainless steel
Mechanical seal: ceramics-graphite-NBR (special corrosion proof)

MOTOR

- **Direct Current:**
Wound field electric motor 12/24V, Protection IP23, Insulation Class F, Continuous Duty (S1).
MP series: permanent magnet motor 12/24V d.c. for bi-directional operations, Protection IP 23÷44, Insulation Class F, Continuous Duty (S1).
- **Alternating Current:**
Induction electric motor, 230V single-phase (M) / 230+400V three-phase (T), 50Hz, Protection IP55, Insulation Class F, Continuous Duty (S1).

SCOPE

- Liquid free of solid impurities
- Temperature range of the liquid: from +0 to +70 °C
- Max. suction depth: 6 m (4m for 020 and 020MP models)
- Static pressure inside the pump body: 6 bar max

ACCESSORIES ON REQUEST

- Pump body with manual by-pass
- High temperature mechanical seal (max. 150°C) made in widia/viton/SIC

020 • 025 • 030 • 040 • 050 • 070

Elettropompe autoadescanti / Self-priming electric pumps

PRESTAZIONI / PERFORMANCES

| Modello Type | Materiale Material | Voltaggio Voltage (V) | Potenza Power | | Assorbimento Absorption (A) | Giri/min. RPM | Portata Max. Max. delivery (l/min.) | Prevalenza Max. Max. head (m) |
|-----------------|-----------------------|-----------------------------|------------------|------|-----------------------------------|------------------|---|-------------------------------------|
| | | | HP | kW | | | | |
| 020 | Bronzo Bronze | 12 | 0,45 | 0,33 | 26 | 2200 | 28 | 10 |
| | | 24 | 0,45 | 0,33 | 14 | 2200 | 28 | 10 |
| | | 230M | 0,45 | 0,33 | 2,2 | 2800 | 30 | 14 |
| | | 230÷400T | 0,45 | 0,33 | 1,3÷0,7 | 2800 | 30 | 14 |
| 020S | Bronzo Bronze | 12 | 0,6 | 0,45 | 36 | 3000 | 32 | 22 |
| | | 24 | 0,6 | 0,45 | 22 | 3000 | 32 | 22 |
| 025 | Bronzo Bronze | 12 | 0,6 | 0,45 | 38 | 2200 | 52 | 12 |
| | | 24 | 0,6 | 0,45 | 22 | 2200 | 52 | 12 |
| | | 230M | 0,6 | 0,45 | 4 | 2800 | 60 | 18 |
| | | 230÷400T | 0,6 | 0,45 | 3,5÷2 | 2800 | 60 | 18 |
| 030 | Bronzo Bronze | 12 | 0,8 | 0,6 | 40 | 1400 | 75 | 18 |
| | | 24 | 0,8 | 0,6 | 24 | 1400 | 75 | 18 |
| | | 230M | 1 | 0,75 | 5 | 1400 | 75 | 18 |
| | | 230÷400T | 1 | 0,75 | 3,6÷2,2 | 1400 | 75 | 18 |
| 040 | Bronzo Bronze | 24 | 1,5 | 1,1 | 45 | 1400 | 120 | 22 |
| | | 230M | 1,5 | 1,1 | 6 | 1400 | 120 | 22 |
| | | 230÷400T | 1,5 | 1,1 | 5÷2,9 | 1400 | 120 | 22 |
| 050 | Bronzo Bronze | 24 | 2,5 | 1,85 | 96 | 1400 | 230 | 30 |
| | | 230M | 2,5 | 1,85 | 12 | 1400 | 230 | 30 |
| | | 230÷400T | 2,5 | 1,85 | 7,6÷4,4 | 1400 | 230 | 30 |
| 070 | Bronzo Bronze | 230÷400T | 7,5 | 5,5 | 20,6÷11,8 | 1400 | 500 | 40 |
| | | | 10 | 7,5 | 25,5÷14,6 | 1400 | 500 | 40 |

12V-24V: CORRENTE CONTINUA / DIRECT CURRENT

230M, 50Hz: corrente alternata monofase / single-phase alternating current

230÷400T, 400÷690T 50Hz: corrente alternata trifase / three-phase alternating current

A richiesta disponibili altri voltaggi a 50Hz e 60Hz / Available on request other voltages at 50Hz and 60Hz.

| Modello Type | Materiale Material | Voltaggio Voltage (V) | Potenza Power | | Assorbimento Absorption (A) | Giri/min. RPM | Portata Max. Max. delivery (l/min.) | Prevalenza Max. Max. head (m) |
|-----------------|-----------------------|-----------------------------|------------------|------|-----------------------------------|------------------|---|-------------------------------------|
| | | | HP | kW | | | | |
| 020 MP | Bronzo Bronze | 12 | 0,45 | 0,33 | 16 | 2800 | 30 | 15 |
| | | 24 | 0,45 | 0,33 | 8 | 2800 | 30 | 15 |
| 025 MP | Bronzo Bronze | 12 | 0,6 | 0,45 | 45 | 2800 | 60 | 18 |
| | | 24 | 0,6 | 0,45 | 36 | 2800 | 60 | 18 |
| 030 MP | Bronzo Bronze | 12 | 1 | 0,75 | 52 | 1400 | 75 | 18 |
| | | 24 | 1 | 0,75 | 28 | 1400 | 75 | 18 |
| 040 MP | Bronzo Bronze | 24 | 1,5 | 1,1 | 45 | 1400 | 120 | 40 |

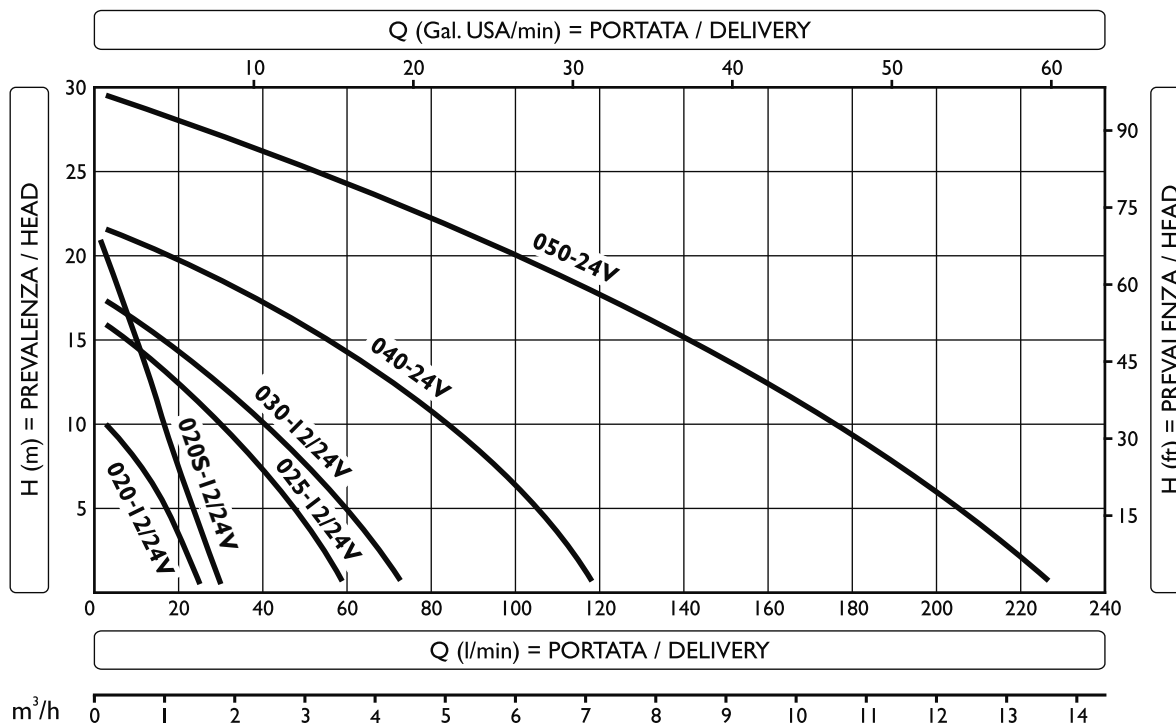
020 • 025 • 030 • 040 • 050 • 070

Elettropompe autoadescanti / Self-priming electric pumps

CORRENTE CONTINUA (c.c.) / DIRECT CURRENT (d.c.)

PRESTAZIONI / PERFORMANCES

020 / 020S / 025 / 030 / 040 / 050



| Modello Type | Voltaggio Voltage (V) | Potenza / Power | | Assorbimento Absorption (A) | Giri/min. RPM | Q | H (m) | | | | | | | | | | | | | | | |
|--------------|-----------------------|-----------------|------|-----------------------------|---------------|-------|-------------------|----|-----|-----|-----|-----|-----|-----|-----|-----|-----|-----|-----|-----|--|--|
| | | HP | kW | | | | m ³ /h | 0 | 0,3 | 0,6 | 0,9 | 1,1 | 1,5 | 1,8 | 1,9 | 2,4 | 3,2 | 3,6 | 4,1 | 4,5 | | |
| | | | | | | | l/min | 0 | 5 | 10 | 15 | 18 | 25 | 30 | 32 | 40 | 53 | 60 | 68 | 75 | | |
| 020 | 12V | 0,45 | 0,33 | 26 | 2200 | H (m) | 10 | 9 | 8 | 6 | 5 | 0 | | | | | | | | | | |
| | 24V | 0,45 | 0,33 | 14 | 2200 | | 10 | 9 | 8 | 6 | 5 | 0 | | | | | | | | | | |
| 020S | 12V | 0,6 | 0,45 | 36 | 3000 | | 22 | 18 | 15 | 12 | 10 | 6 | 3 | 0 | | | | | | | | |
| | 24V | 0,6 | 0,45 | 22 | 3000 | | 22 | 18 | 15 | 12 | 10 | 6 | 3 | 0 | | | | | | | | |
| 025 | 12V | 0,6 | 0,45 | 38 | 2200 | | 12 | 11 | 10 | 9 | 8 | 7 | 6 | 5 | 4 | 0 | | | | | | |
| | 24V | 0,6 | 0,45 | 22 | 2200 | | 12 | 11 | 10 | 9 | 8 | 7 | 6 | 5 | 4 | 0 | | | | | | |
| 030 | 12V | 0,8 | 0,6 | 40 | 1400 | | 18 | 17 | 16 | 15 | 14 | 13 | 12 | 11 | 10 | 7 | 5 | 3 | 0 | | | |
| | 24V | 0,8 | 0,6 | 24 | 1400 | | 18 | 17 | 16 | 15 | 14 | 13 | 12 | 11 | 10 | 7 | 5 | 3 | 0 | | | |

| Modello Type | Voltaggio Voltage (V) | Potenza / Power | | Assorbimento Absorption (A) | Giri/min. RPM | Q | H (m) | | | | | | | | | | | | | | |
|--------------|-----------------------|-----------------|------|-----------------------------|---------------|-------|-------------------|----|----|-----|-----|-----|-----|------|------|-----|-----|-----|-----|-----|--|
| | | HP | kW | | | | m ³ /h | 0 | 3 | 4,8 | 6 | 7,2 | 9 | 10,8 | 13,8 | 18 | 21 | 24 | 27 | 30 | |
| | | | | | | | l/min | 0 | 50 | 80 | 100 | 120 | 150 | 180 | 230 | 300 | 350 | 400 | 450 | 500 | |
| 040 | 24V | 1,5 | 1,1 | 45 | 1400 | H (m) | 22 | 15 | 12 | 6 | 0 | | | | | | | | | | |
| 050 | 24V | 2,5 | 1,85 | 96 | 1400 | | 30 | 25 | 22 | 19 | 18 | 14 | 10 | 0 | | | | | | | |

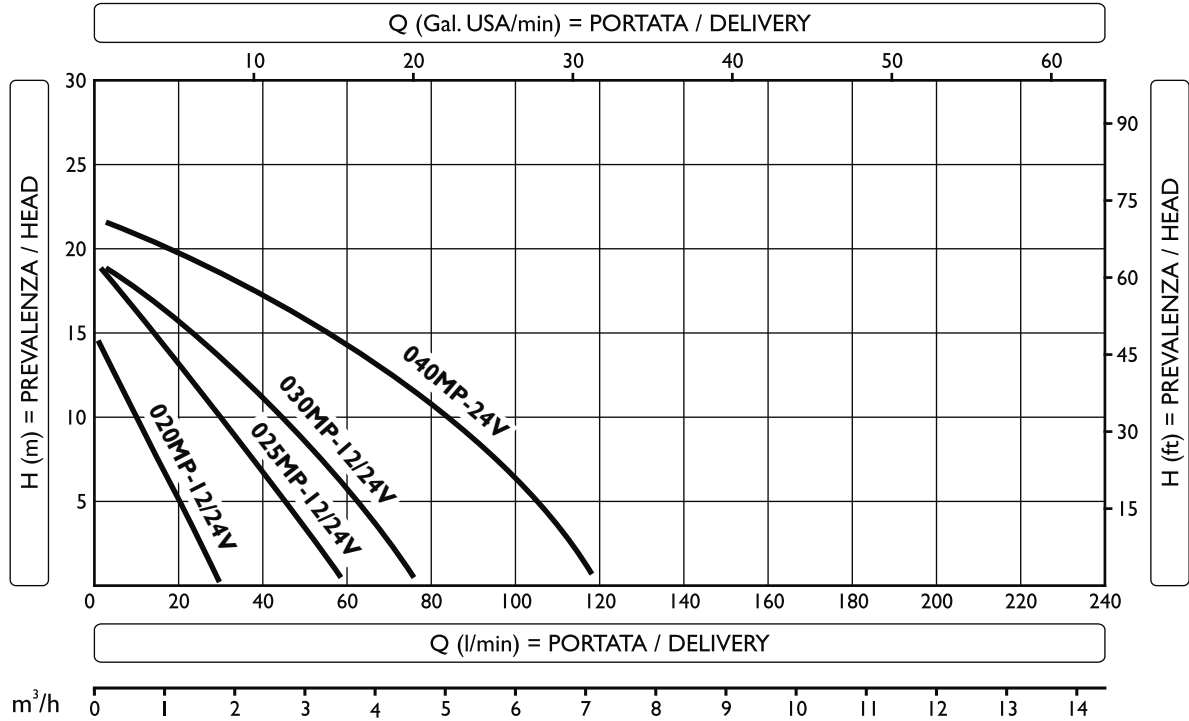
020 • 025 • 030 • 040 • 050 • 070

Elettropompe autoadescanti / Self-priming electric pumps

CORRENTE CONTINUA (c.c.) / DIRECT CURRENT (d.c.)

PRESTAZIONI / PERFORMANCES

020 MP / 025 MP / 030 MP / 040 MP



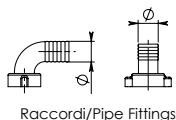
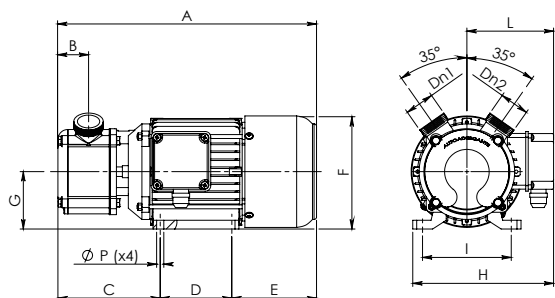
| Modello Type | Voltage Voltage (V) | Potenza / Power | | Assorbimento Absorption (A) | Giri/min. RPM | Q | H (m) | | | | | | | | | | | | | | | |
|--------------|---------------------|-----------------|------|-----------------------------|---------------|-------|-------------------|----|-----|-----|-----|-----|-----|-----|-----|-----|-----|-----|-----|-----|--|--|
| | | HP | kW | | | | m ³ /h | 0 | 0,3 | 0,6 | 0,9 | 1,1 | 1,5 | 1,8 | 1,9 | 2,4 | 3,2 | 3,6 | 4,1 | 4,5 | | |
| | | | | | | | l/min | 0 | 5 | 10 | 15 | 18 | 25 | 30 | 32 | 40 | 53 | 60 | 68 | 75 | | |
| 020 MP | 12 | 0,45 | 0,33 | 16 | 2800 | H (m) | 15 | 12 | 10 | 8 | 6 | 2 | 0 | | | | | | | | | |
| | 24 | 0,45 | 0,33 | 8 | 2800 | | 15 | 12 | 10 | 8 | 6 | 2 | 0 | | | | | | | | | |
| 025 MP | 12 | 0,6 | 0,45 | 45 | 2800 | | 18 | 16 | 15 | 14 | 13 | 12 | 11 | 9 | 7 | 3 | 0 | | | | | |
| | 24 | 0,6 | 0,45 | 36 | 2800 | | 18 | 16 | 15 | 14 | 13 | 12 | 11 | 9 | 7 | 3 | 0 | | | | | |
| 030 MP | 12V | 1 | 0,75 | 52 | 1400 | | 18 | 17 | 16 | 15 | 14 | 13 | 12 | 11 | 10 | 7 | 5 | 3 | 0 | | | |
| | 24V | 1 | 0,75 | 28 | 1400 | | 18 | 17 | 16 | 15 | 14 | 13 | 12 | 11 | 10 | 7 | 5 | 3 | 0 | | | |

| Modello Type | Voltage Voltage (V) | Potenza / Power | | Assorbimento Absorption (A) | Giri/min. RPM | Q | H (m) | | | | | | | | | | | | | | |
|--------------|---------------------|-----------------|-----|-----------------------------|---------------|-------|-------------------|----|----|-----|-----|-----|-----|------|-----|-----|-----|-----|-----|-----|--|
| | | HP | kW | | | | m ³ /h | 0 | 3 | 4,8 | 6 | 7,2 | 9 | 10,8 | 15 | 18 | 21 | 24 | 27 | 30 | |
| | | | | | | | l/min | 0 | 50 | 80 | 100 | 120 | 150 | 180 | 250 | 300 | 350 | 400 | 450 | 500 | |
| 040 MP | 24V | 1,5 | 1,1 | 45 | 1400 | H (m) | 22 | 15 | 12 | 6 | 0 | | | | | | | | | | |

CORRENTE CONTINUA (c.c.) / DIRECT CURRENT (d.c.)

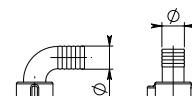
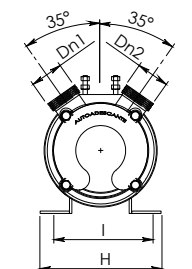
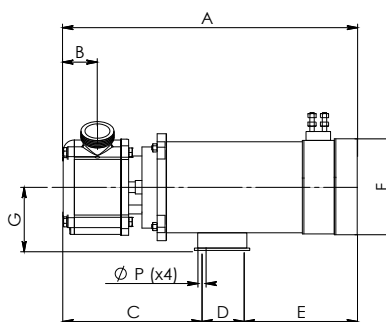
DIMENSIONI E PESI / DIMENSIONS AND WEIGHTS

020 / 020S / 025 / 030 / 040



Raccordi/Pipe Fittings

050

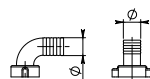
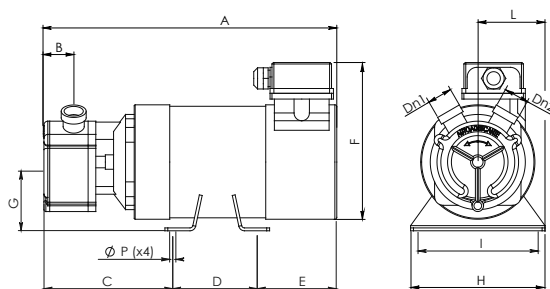


Raccordi/Pipe Fittings

| Modello Type | Corrente Current | Dn1 - Dn2 (Gas - BSP) | Raccordi Pipe fittings | A | B | C | D | E | F | G | H | I | L | ØP | Peso Weight (kg) |
|--------------|------------------|-----------------------|------------------------|-----|----|-----|-----|-----|-----|-----|-----|-----|-----|----|------------------|
| 020 | c.c - d.c. | 3/4" M | Ø 20 mm | 295 | 35 | 115 | 80 | 100 | 123 | 63 | 165 | 100 | 105 | 7 | 5,7 |
| 020S | c.c - d.c. | 3/4" M | Ø 20 mm | 295 | 35 | 115 | 80 | 100 | 123 | 63 | 165 | 100 | 105 | 7 | 5,7 |
| 025 | c.c - d.c. | 1" M | Ø 25 mm | 320 | 40 | 127 | 90 | 103 | 139 | 71 | 180 | 112 | 110 | 8 | 9,6 |
| 030 | c.c - d.c. | 1"1/4" M | Ø 30 mm | 375 | 50 | 140 | 100 | 135 | 156 | 80 | 205 | 125 | 125 | 8 | 13,5 |
| 040 | c.c - d.c. | 1"1/2" M | Ø 40 mm | 490 | 67 | 180 | 125 | 185 | 178 | 90 | 218 | 140 | 130 | 10 | 21 |
| 050 | c.c - d.c. | 2" M | Ø 50 mm | 500 | 90 | 250 | 75 | 175 | 155 | 110 | 170 | 135 | / | 10 | 36 |

Misure in millimetri (mm), dimensioni non impegnative / Measures in millimeter (mm), dimensions approximated

020 MP / 025 MP / 030 MP / 040 MP



Raccordi/Pipe Fittings

| Modello Type | Corrente Current | Dn1 - Dn2 (Gas - BSP) | Raccordi Pipe fittings | A | B | C | D | E | F | G | H | I | L | ØP | Peso Weight (kg) |
|--------------|------------------|-----------------------|------------------------|-----|----|-----|-----|-----|-----|----|-----|-----|-----|----|------------------|
| 020 MP | c.c - d.c. | 3/4" M | Ø 20 mm | 295 | 35 | 115 | 90 | 100 | 123 | 63 | 165 | 112 | 105 | 7 | 7 |
| 025 MP | c.c - d.c. | 1" M | Ø 25 mm | 320 | 40 | 127 | 90 | 103 | 139 | 71 | 180 | 112 | 110 | 8 | 9,6 |
| 030 MP | c.c - d.c. | 1"1/4" M | Ø 30 mm | 375 | 50 | 140 | 100 | 135 | 156 | 80 | 205 | 125 | 125 | 8 | 13,5 |
| 040 MP | c.c - d.c. | 1"1/2" M | Ø 40 mm | 490 | 67 | 180 | 125 | 185 | 178 | 90 | 218 | 140 | 130 | 10 | 21 |

Misure in millimetri (mm), dimensioni non impegnative / Measures in millimeter (mm), dimensions approximated

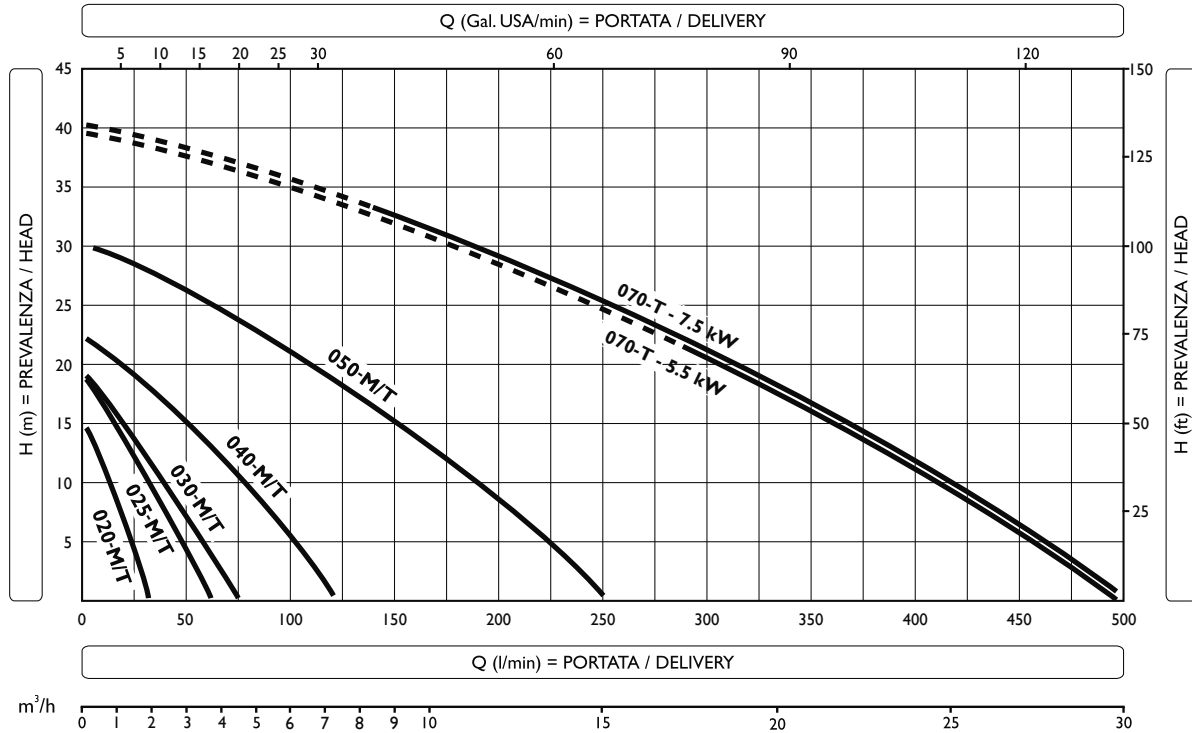
020 • 025 • 030 • 040 • 050 • 070

Elettropompe autoadescanti / Self-priming electric pumps

CORRENTE ALTERNATA (c.a.) / ALTERNATING CURRENT (a.c.)

PRESTAZIONI / PERFORMANCES

020 / 025 / 030 / 040 / 050 / 070



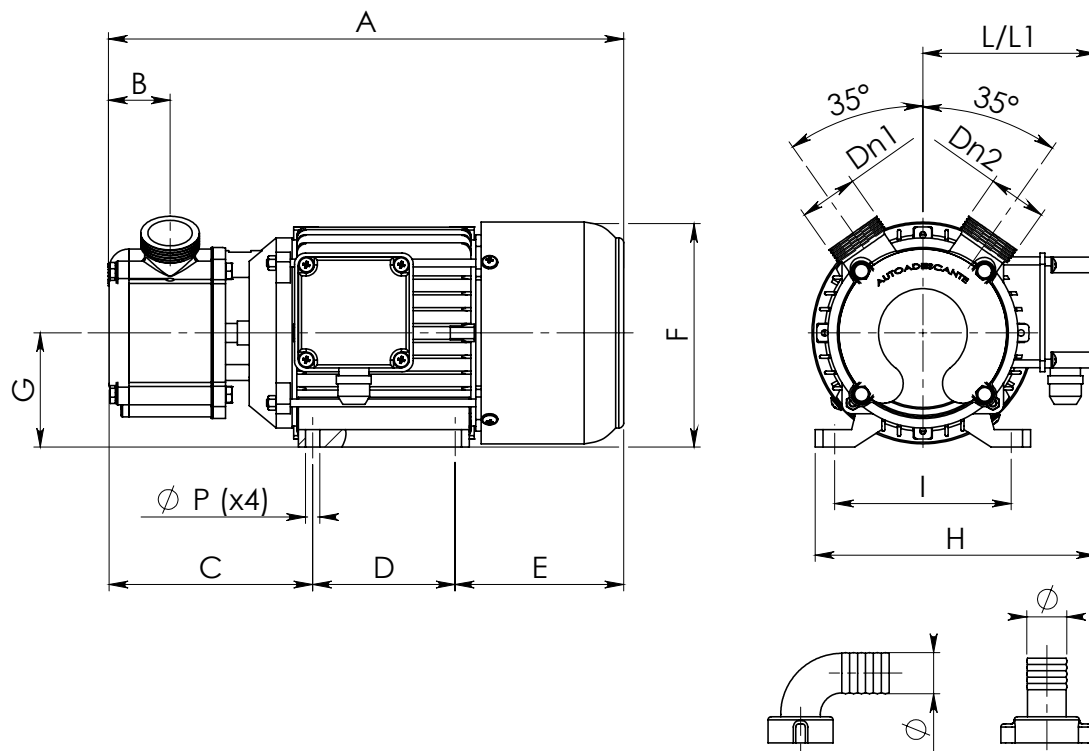
| Modello Type | Voltage (V) | Potenza / Power | | Assorbimento Absorption (A) | Giri/min. RPM | Q | H (m) | | | | | | | | | | | | | | | |
|--------------|-------------|-----------------|------|-----------------------------|---------------|-------|-------|-----|-----|-----|-----|-----|-----|-----|-----|-----|-----|-----|-----|---|---|---|
| | | HP | kW | | | | 0 | 0,3 | 0,6 | 0,9 | 1,1 | 1,5 | 1,8 | 1,9 | 2,4 | 3,2 | 3,6 | 4,1 | 4,5 | | | |
| 020 | 230M | 0,45 | 0,33 | 2,2 | 2800 | H (m) | 0 | 0 | 0 | 0 | 0 | 0 | 0 | 0 | 0 | 0 | 0 | 0 | 0 | 0 | 0 | 0 |
| | 230+400T | 0,45 | 0,33 | 1,3+0,7 | 2800 | | 15 | 12 | 10 | 8 | 6 | 2 | 0 | | | | | | | | | |
| 025 | 230M | 0,6 | 0,45 | 4 | 2800 | | 15 | 12 | 10 | 8 | 6 | 2 | 0 | | | | | | | | | |
| | 230+400T | 0,6 | 0,45 | 3,5+2 | 2800 | | 18 | 16 | 15 | 14 | 13 | 12 | 11 | 9 | 7 | 3 | 0 | | | | | |
| 030 | 230M | 1 | 0,75 | 5 | 1400 | | 18 | 16 | 15 | 14 | 13 | 12 | 11 | 9 | 7 | 3 | 0 | | | | | |
| | 230+400T | 1 | 0,75 | 3,6+2,2 | 1400 | | 18 | 17 | 16 | 15 | 14 | 13 | 12 | 11 | 10 | 7 | 5 | 3 | 0 | | | |

| Modello Type | Voltage (V) | Potenza / Power | | Assorbimento Absorption (A) | Giri/min. RPM | Q | H (m) | | | | | | | | | | | | | | | | |
|--------------|-------------|-----------------|------|-----------------------------|---------------|-------|-------|----|-----|-----|-----|-----|------|-----|-----|-----|-----|-----|-----|---|---|---|---|
| | | HP | kW | | | | 0 | 3 | 4,8 | 6 | 7,2 | 9 | 10,8 | 15 | 18 | 21 | 24 | 27 | 30 | | | | |
| 040 | 230M | 1,5 | 1,1 | 6 | 1400 | H (m) | 0 | 0 | 0 | 0 | 0 | 0 | 0 | 0 | 0 | 0 | 0 | 0 | 0 | 0 | 0 | 0 | 0 |
| | 230+400T | 1,5 | 1,1 | 5+2,9 | 1400 | | 0 | 50 | 80 | 100 | 120 | 150 | 180 | 250 | 300 | 350 | 400 | 450 | 500 | | | | |
| 050 | 230M | 2,5 | 1,85 | 12 | 1400 | | 22 | 15 | 12 | 6 | 0 | | | | | | | | | | | | |
| | 230+400T | 2,5 | 1,85 | 7,6+4,4 | 1400 | | 22 | 15 | 12 | 6 | 0 | | | | | | | | | | | | |
| 070 | 230+400T | 7,5 | 5,5 | 20,6+11,8 | 1400 | | 30 | 25 | 22 | 19 | 18 | 14 | 10 | 0 | | | | | | | | | |
| | 400:690T | 10 | 7,5 | 25,5+14,6 | 1400 | | 30 | 25 | 22 | 19 | 18 | 14 | 10 | 0 | | | | | | | | | |

CORRENTE ALTERNATA (c.a.) / ALTERNATING CURRENT (a.c.)

DIMENSIONI E PESI / DIMENSIONS AND WEIGHTS

020 / 025 / 030 / 040 / 050



Raccordi/Pipe Fittings

| Modello Type | Corrente Current | Dn1 - Dn2 (Gas - BSP) | Raccordi Pipe fittings | A | B | C | D | E | F | G | H | I | L* | L1** | ØP | Peso Weight (kg) |
|--------------|------------------|-----------------------|------------------------|-----|----|-----|-----|-----|-----|----|-----|-----|-----|------|----|------------------|
| 020 | c.a - a.c. | 3/4" M | Ø 20 mm | 260 | 35 | 115 | 80 | 70 | 123 | 56 | 195 | 90 | 105 | 135 | 7 | 5,5 |
| 025 | c.a - a.c. | 1" M | Ø 25 mm | 305 | 40 | 127 | 90 | 88 | 139 | 71 | 213 | 112 | 110 | 145 | 8 | 9,2 |
| 030 | c.a - a.c. | 1"1/4" M | Ø 30 mm | 330 | 50 | 140 | 100 | 90 | 156 | 80 | 232 | 125 | 125 | 155 | 10 | 13 |
| 040 | c.a - a.c. | 1"1/2" M | Ø 40 mm | 352 | 67 | 162 | 100 | 90 | 156 | 80 | 232 | 125 | 125 | 155 | 10 | 18 |
| 050 | c.a - a.c. | 2" M | Ø 50 mm | 435 | 90 | 210 | 125 | 100 | 200 | 90 | 247 | 125 | 130 | 160 | 10 | 26,5 |

L*: morsetteria / terminal board connection

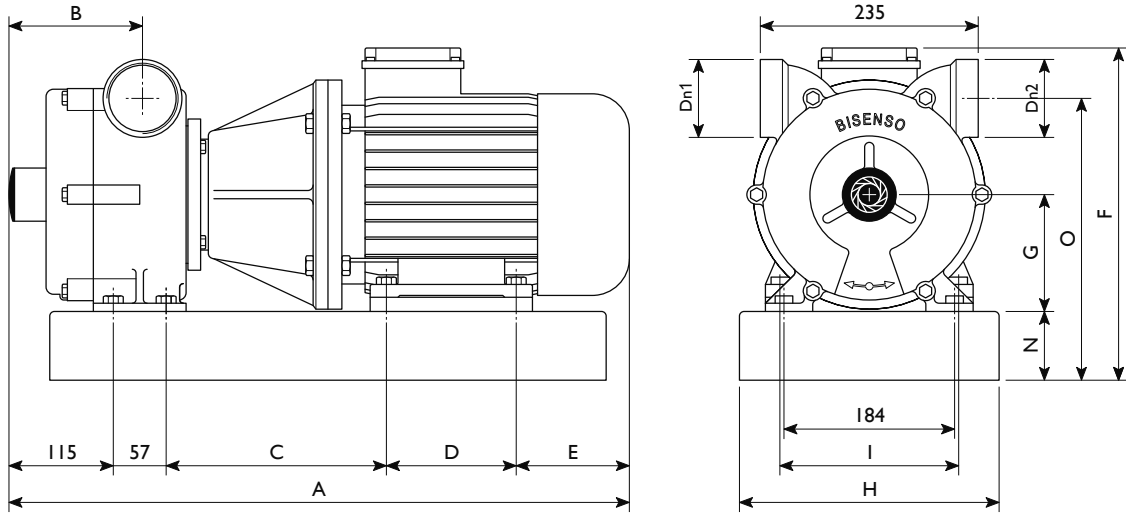
L1**= interruttore / invertitore-portacondensatore / on-off reverse switch capacitor box

Misure in millimetri (mm), dimensioni non impegnative / Measures in millimeter (mm), dimensions approximated

CORRENTE ALTERNATA (c.a.) / ALTERNATING CURRENT (a.c.)

DIMENSIONI E PESI / DIMENSIONS AND WEIGHTS

070



| Modello Type | Corrente Current | Dn1 - Dn2 (Gas - BSP) | Raccordi Pipe fittings | A | B | C | D | E | F | G | H | I | O | ØP | Peso Weight (kg) |
|---------------------|---------------------|--------------------------|---------------------------|-----|-----|-----|-----|-----|-----|-----|-----|-----|-----|----|------------------------|
| 070 - 5.5 kW | c.a - a.c. | 2"1/2" F | / | 705 | 144 | 245 | 140 | 148 | 370 | 128 | 280 | 190 | 306 | 11 | 75 |
| 070 - 7.5 kW | c.a - a.c. | 2"1/2" F | / | 785 | 144 | 280 | 178 | 155 | 385 | 156 | 280 | 216 | 307 | 11 | 87 |

Misure in millimetri (mm), dimensioni non impegnative / Measures in millimeter (mm), dimensions approximated