

INSTRUCTION

LED FLAME LAMP

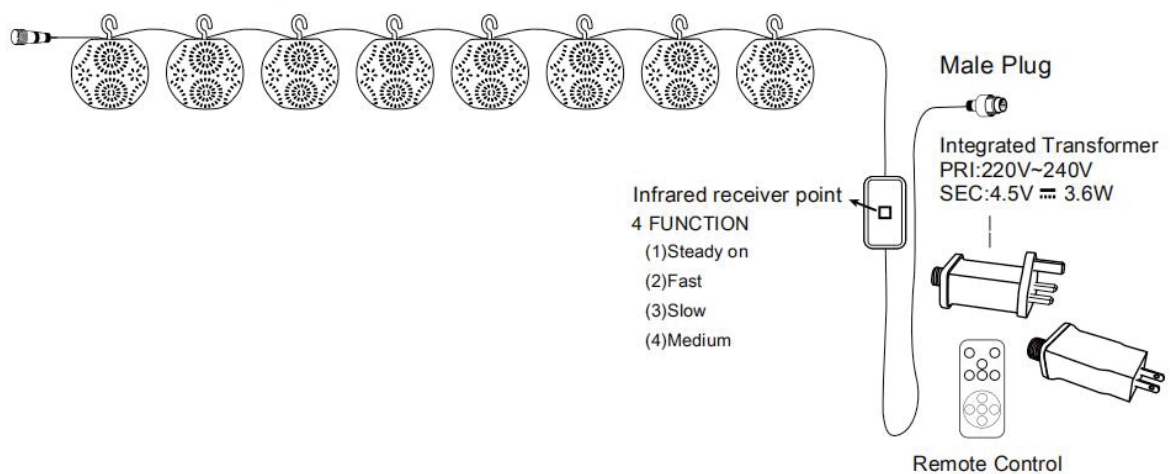
Product Parameter:

Size	7m
Power cord	3m
Product Power	3.6W
Working Temperature	-10°C-40°C
Material	PP
IP Rank	IP44
Application	Indoor / Outdoor

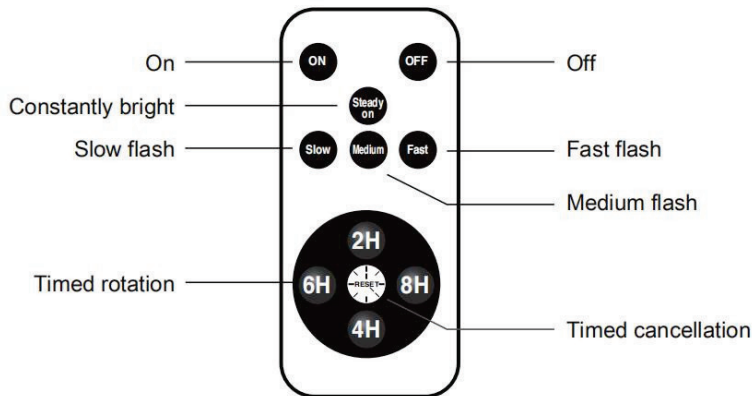
Installation Instructions:

- 1, Open the package and take out the wire. Confirm whether the parts are complete before installation, and whether the power supply meets the standard of using voltage.
- 2, Product belt hanger, can not be cut to use.

Schematic Diagram



Remote control instruction



Safety Instructions

- 1, The flame lamp cannot connect to the socket directly, it must use the power adapter provided by the supplier.
- 2, The flame lamp cannot be soldered to another string light without permission.
- 3, After opening the package, the transformer is allowed to connect and switching on power supply.
- 4, The LED bulbs are not replaceable, it is strictly forbidden to replace the light bulb.
- 5, This product is only for decoration, not for children's toys. Please keep children who are under six years old away from this product.
- 6, Please turn off the power supply when not in use for a long time, and do not expose it in the harsh environment.
- 7, Please do not disassemble the product, including the shell and the converter.



Use the remote control, you need to point to the infrared receiver point.

Note: When the remote control distance is greatly reduced, the battery may not be enough. Please replace the new battery as shown on the back of the remote control. Battery type: CR2025

Made in China



