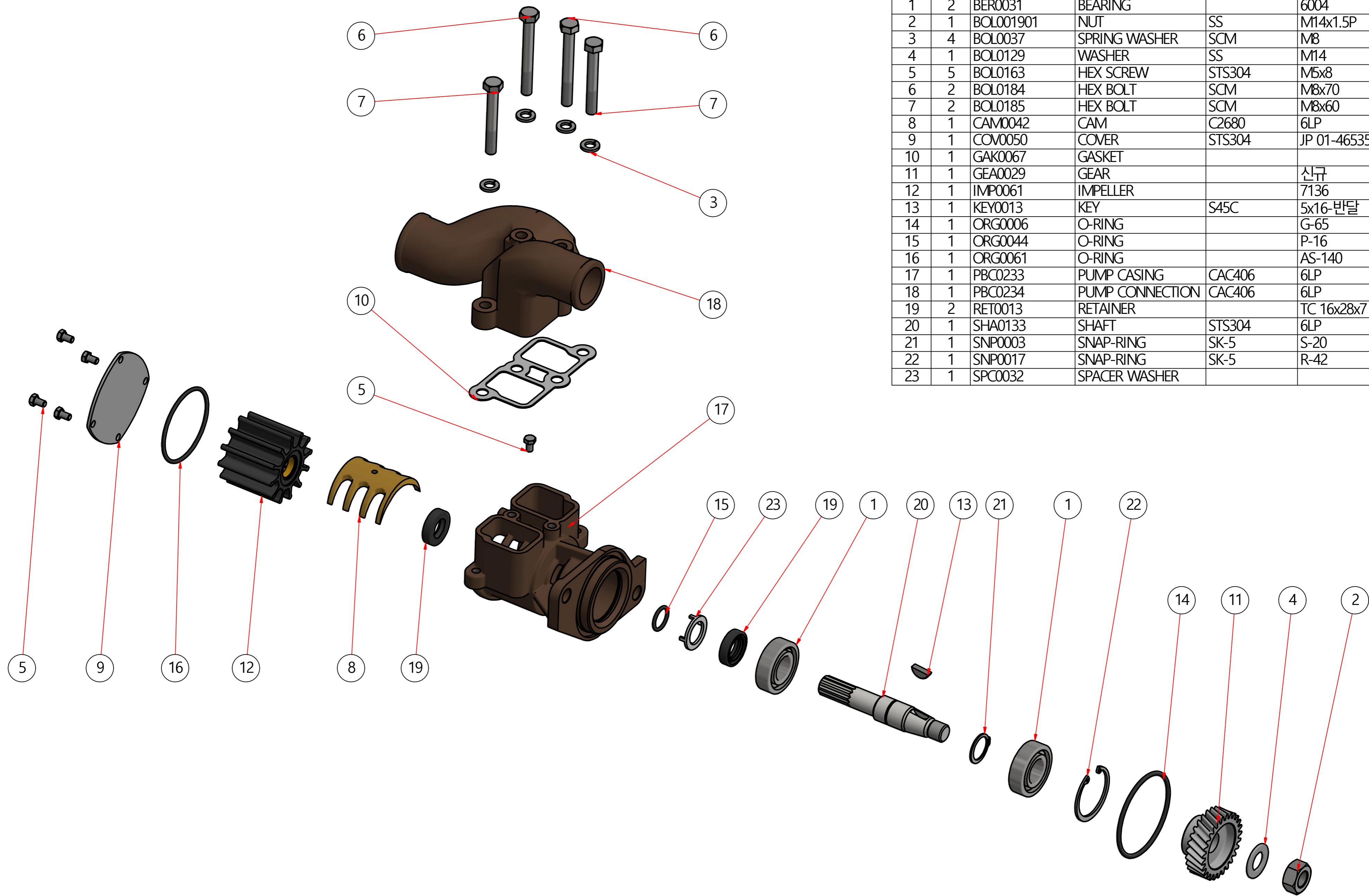



| PART LIST | | | | | |
|-----------|-----|-------------|-----------------|--------|-------------|
| No. | QTY | PART NUMBER | PART NAME | MAT | DESCRIPTION |
| 1 | 2 | BER0031 | BEARING | | 6004 |
| 2 | 1 | BOL001901 | NUT | SS | M14x1.5P |
| 3 | 4 | BOL0037 | SPRING WASHER | SCM | M8 |
| 4 | 1 | BOL0129 | WASHER | SS | M14 |
| 5 | 5 | BOL0163 | HEX SCREW | STS304 | M5x8 |
| 6 | 2 | BOL0184 | HEX BOLT | SCM | M8x70 |
| 7 | 2 | BOL0185 | HEX BOLT | SCM | M8x60 |
| 8 | 1 | CAM0042 | CAM | C2680 | 6LP |
| 9 | 1 | COV0050 | COVER | STS304 | JP 01-46535 |
| 10 | 1 | GAK0067 | GASKET | | |
| 11 | 1 | GEA0029 | GEAR | | 신규 |
| 12 | 1 | IMP0061 | IMPELLER | | 7136 |
| 13 | 1 | KEY0013 | KEY | S45C | 5x16-반달 |
| 14 | 1 | ORG0006 | O-RING | | G-65 |
| 15 | 1 | ORG0044 | O-RING | | P-16 |
| 16 | 1 | ORG0061 | O-RING | | AS-140 |
| 17 | 1 | PBC0233 | PUMP CASING | CAC406 | 6LP |
| 18 | 1 | PBC0234 | PUMP CONNECTION | CAC406 | 6LP |
| 19 | 2 | RET0013 | RETAINER | | TC 16x28x7 |
| 20 | 1 | SHA0133 | SHAFT | STS304 | 6LP |
| 21 | 1 | SNP0003 | SNAP-RING | SK-5 | S-20 |
| 22 | 1 | SNP0017 | SNAP-RING | SK-5 | R-42 |
| 23 | 1 | SPC0032 | SPACER WASHER | | |



| | | | | | |
|---|------------|---|-------------|------------|-------|
| Drawing by | Checked by | Approved by - date | Model Name | Date | Scale |
| M.J.KANG | C.I. JEON | | JPR-YM06LPA | 2016-11-09 | 1:1 |
|  주제일진공펌프 JMP CORPORATION | | PUMP PART'S VIEW PART NUMBER PUA014101(0) | | | |
| | | Edition 0 | | Sheet A2 | |