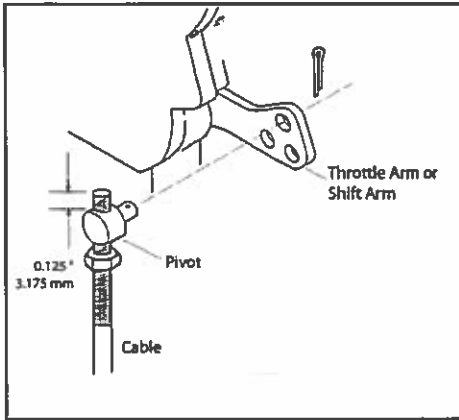
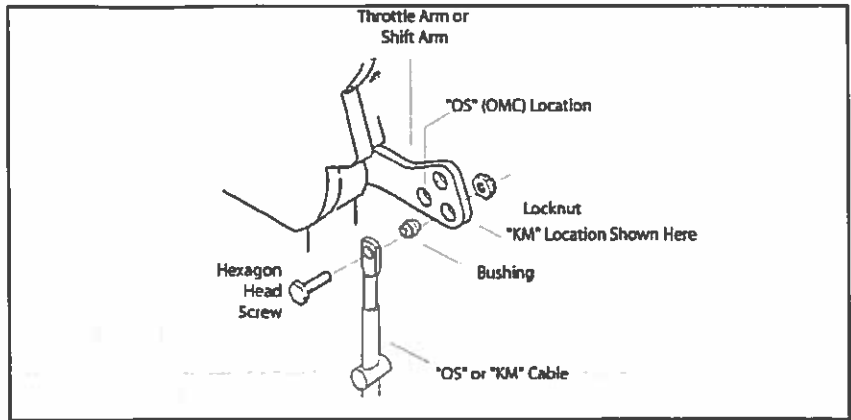


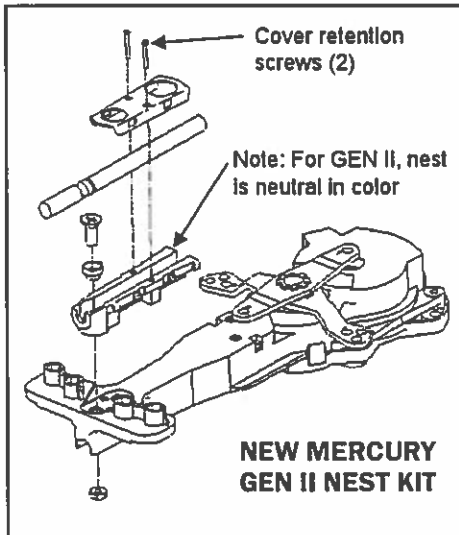
Shift and Throttle Cable Connection-Control End



Shift Arm Cable Terminal Connection for 3300/33C Cable.



Shift Arm Cable Terminal Connection for "OS" is BRP/OMC/Johnson and Evinrude. "KM" is Mercury, MerCruiser.



Cable End Options

- 3300/33C (Universal) (note black nest color)
- BRP/OMC/Johnson/Evinrude (note black nest color)
- Mercury, MerCruiser (note black nest color)
- Mercury Gen II Cables (note neutral nest color)

Each cable type connects differently.

