



## Replacement Seals

### BayStar Hydraulic Helm Pump



#### NOTICE!

For use with BayStar helms HH4016 and HH4015 only.

- Remove the steering wheel from helm pump.
- Remove the woodruff key (item 4) from the wheel shaft.
- Unscrew and save the 3 screws (item 1) securing the top plate (item 5).
- Slide the top plate (item 5), shaft seal assembly (item 2), and O-ring (item 3) from the helm pump (item 6). Note location of seals when removing, new seals will be installed in the same orientation.
- Wipe the inside of the new seals (item 2 and item 3) with an approved hydraulic fluid.
- Slide the new O-ring (item 3) and shaft seal assembly (item 2) down the shaft, ensuring they are pushed all the way into the helm pump (item 6).
- Install the top plate (item 5) and fasten with the original 3 screws (item 1) saved earlier. See notice below.
- Lightly grease the taper of the helm shaft, install the woodruff key (item 4) and re-mount the steering wheel.
- Torque the steering wheel nut to 150 in-lbs (16.9 Nm). Do not exceed 200 in-lbs (22.6 Nm).
- Installation is now complete.

Item	Part#	Description	Qty.
2	316620	Shaft seal assembly	1
3	316374	O-ring	1

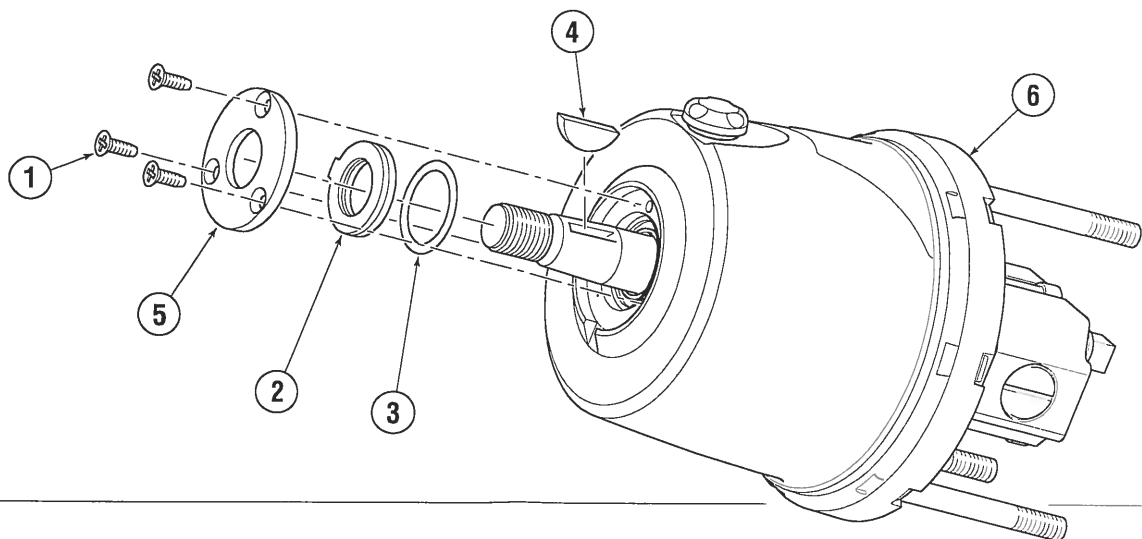
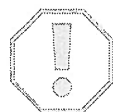


Figure 1.



#### NOTICE!

Do not overtighten screws (item 1), this may cause damage to the threads.