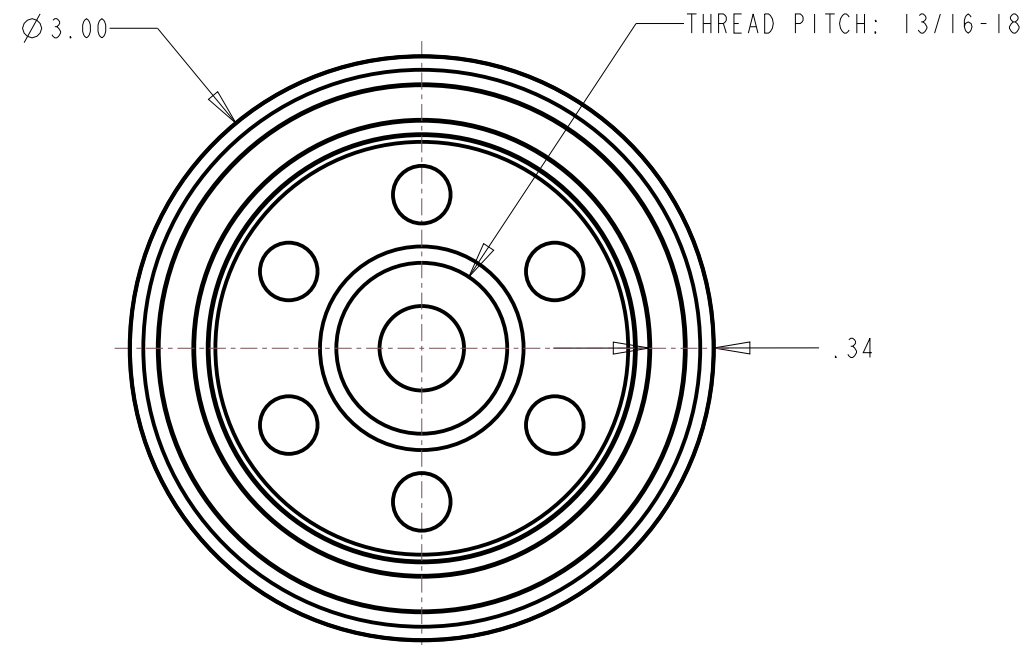
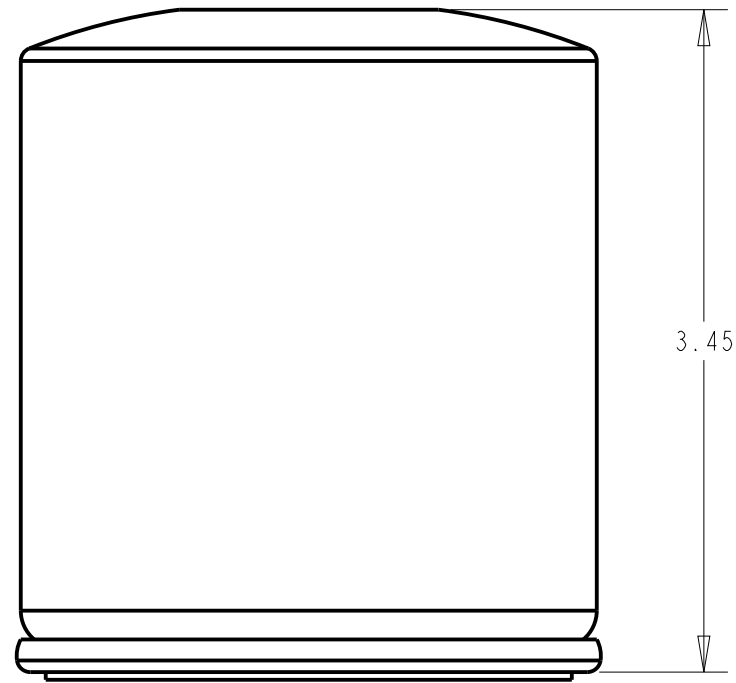


Item#	Part Number	Description	Qty
-	-	-	-



NOTES:
 1. ALL DIMENSIONS ARE APPROXIMATE.
 2. ALL DIMENSIONS ARE IN INCHES.
 3. RATING: 21 MICRON

A	New Drawing	9/26/2022	B. Maulding
Rev.	Description	Date	Approval
Dometic		ALL DIMENSIONS ARE IN INCHES UNLESS OTHERWISE SPECIFIED.	
Title: Fuel Water Separating Filter		Part#: 118-7789	
Drawn By: Shad Schoen		Date: 9/26/2022	